

CONNECTOR ASSY

<P/N composition> <P/N構成>
10051922- 24 1 LF

- Lead free
鉛フリー
- Contact point plating variation (1: Au plating)
接点被覆のバリエーション (1: ゴールド)
- The number of contacts 接触
シリーズ名

PARTS TABLE 部品表

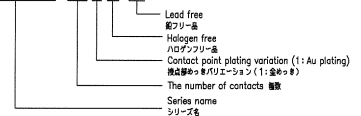
No.	Part name 部品名	Material 材質	Finish めっき	Note 備考
①	Housing ハウジング	Enter glass fiber LCP resin ガラス繊維入り LCP 樹脂	---	色: 黒色, ULS4V-0 Color: Black, ULS4V-0
②	Actuator アクチュエーター	Enter glass fiber STPA resin ガラス繊維入り STPA樹脂	---	色: 黒, ULS4V-0 Color: Black, ULS4V-0
③	Contact コンタクト	Copper alloy 銅合金	Au plating (Nickel underplating) 金めっき (ニッケル下地めっき)	ニッケル下地あり With Ni dam on the contact
④	Fitting nail (right side) 挿着金具 (右側)	Copper alloy 銅合金	Tin alloy plating (Nickel underplating) スズ合金めっき (ニッケル下地めっき)	---
⑤	Fitting nail (left side) 挿着金具 (左側)	Copper alloy 銅合金	Tin alloy plating (Nickel underplating) スズ合金めっき (ニッケル下地めっき)	---

	14.5	15.72	17.5	1	1	30	1	1	10051922-301LF
	13.5	14.72	16.5	1	1	28	1	1	10051922-281LF
	12.5	13.72	15.5	1	1	26	1	1	10051922-261LF
	11.5	12.72	14.5	1	1	24	1	1	10051922-241LF
	10.5	11.72	13.5	1	1	22	1	1	10051922-221LF
	9.5	10.72	12.5	1	1	20	1	1	10051922-201LF
	9	10.22	12	1	1	19	1	1	10051922-191LF
	8.5	9.72	11.5	1	1	18	1	1	10051922-181LF
	7.5	8.72	10.5	1	1	16	1	1	10051922-161LF
	7	8.22	10	1	1	15	1	1	10051922-151LF
	6.5	7.72	9.5	1	1	14	1	1	10051922-141LF
	5.5	6.72	8.5	1	1	12	1	1	10051922-121LF
	5	6.22	8	1	1	11	1	1	10051922-111LF
	4.5	5.72	7.5	1	1	10	1	1	10051922-101LF
	3.5	4.72	6.5	1	1	8	1	1	10051922-081LF

CONTACT PLATING	DIM "C"	DIM "B"	DIM "A"	⑤ FITTING NAIL(L) QTY	④ FITTING NAIL(R) QTY	③ CONTACT QTY	② ACTUATOR QTY	① HOUSING QTY	PRODUCT NO.
mat'l. code	---			surface	ISO 1302	tolerance	ISO 406	projection	product family
tr	description	ecn no	dr	date	tolerances unless otherwise specified		ISO 1101	mm	59GF FLEX 0.5
A	RELEASED	J05-0356	N.S	6/20/05	angles	linear	0.XX ±0.3	→	ASSEMBLY
					±2°	0.XXX ±0.3	0.3XX ±0.3	scale 10:1	0.5mm PITCH CONNECTOR FOR FPC VLL Series
E	REVISED	J08-0283	N.S	2008-7-1	dr	N.SASAME	2010-6-23		sheet 2 of 5 size
F	REVISED	J08-0178	N.S	2008-5-7	enrg	N.SASAME	2010-6-23		10051922
G	ADDEDP/N	J10-0142	N.S	2010-6-4	chr	N.SASAME	2010-6-23		A3
H	REVISED	J10-0171	N.S	2010-6-23	appd	N.SASAME	2010-6-23		type Product Customer Drawing
sheet index	revision sheet								Rev.

CONNECTOR ASSY
HALOGEN FREE

<P/N composition> <P/N 構成>
10051922-24 1 H LF



PARTS TABLE 部品表

No.	Part name	Material	Finish	Note
①	Housing ハウジング	Enter glass fiber LCP resin ガラス繊維入り LCP 樹脂	---	色: 無白色, UL94V-0 Color: Natural, UL94V-0
②	Actuator アクチュエーター	Enter glass fiber LCP resin ガラス繊維入り LCP 樹脂	---	色: 無白色, UL94V-0 Color: Natural, UL94V-0
③	Contact コンタクト	Copper alloy 銅合金	Au plating (Nickel underplating) 金めっき (ニッケル下地めっき)	ニッケル下地めっき With Ni dam on the contact
④	Fitting nail (Right side) 挿込金 (右側)	Copper alloy 銅合金	Tin alloy plating (Nickel underplating) スズ合金めっき (ニッケル下地めっき)	---
⑤	Fitting nail (Left side) 挿込金 (左側)	Copper alloy 銅合金	Tin alloy plating (Nickel underplating) スズ合金めっき (ニッケル下地めっき)	---

	14.5	15.72	17.5	1	1	30	1	1	10051922-301HLF
	13.5	14.72	16.5	1	1	28	1	1	10051922-281HLF
	12.5	13.72	15.5	1	1	26	1	1	10051922-261HLF
	11.5	12.72	14.5	1	1	24	1	1	10051922-241HLF
	10.5	11.72	13.5	1	1	22	1	1	10051922-221HLF
	9.5	10.72	12.5	1	1	20	1	1	10051922-201HLF
	9	10.22	12	1	1	19	1	1	10051922-191HLF
	8.5	9.72	11.5	1	1	18	1	1	10051922-181HLF
	7.5	8.72	10.5	1	1	16	1	1	10051922-161HLF
	7	8.22	10	1	1	15	1	1	10051922-151HLF
	6.5	7.72	9.5	1	1	14	1	1	10051922-141HLF
	5.5	6.72	8.5	1	1	12	1	1	10051922-121HLF
	5	6.22	8	1	1	11	1	1	10051922-111HLF
	4.5	5.72	7.5	1	1	10	1	1	10051922-101HLF
	3.5	4.72	6.5	1	1	8	1	1	10051922-081HLF

CONTACT PLATING	DIM "c"	DIM "b"	DIM "a"	⑤ FITTING NAIL(L) QTY	④ FITTING NAIL(R) QTY	③ CONTACT QTY	② ACTUATOR QTY	① HOUSING QTY	PRODUCT NO.
mat'l. code	---			surface	ISO 1302	tolerance	ISO 406	projection	product family
ltr	description	ecn no	dr	date	tolerances unless otherwise specified	linear	0.XX ±0.3	mm	59GF FLEX 0.5
					angles	0.XXX ±0.3	scale 10:1		CODE JP
					±2°	0.XXX ±0.3			
					dr	N.SASAME 2010-6-23			
					enrg	N.SASAME 2010-6-23			
G	ADDEDP/N	J10-0142	N.S	2010-6-4	chr	N.SASAME 2010-6-23			
H	REVISED	J10-0171	N.S	2010-6-23	appd	N.SASAME 2010-6-23			
sheet index	revision sheet								

PRODUCT NO.	DIM "A"	DIM "B"	DIM "C"	DIM "D"	DIM "E"	CONTACT PLATING	Emboss QTY.	TOOLING AVAILABLE
10051922-081OELF	16	7.5	21.5	8	--	Au	4500	YES
10051922-101OELF								YES
10051922-111OELF								YES
10051922-121OELF								YES
10051922-141OELF								YES
10051922-151OELF	24	11.5	29.5	8	--	Au	4500	YES
10051922-161OELF								YES
10051922-181OELF								YES
10051922-191OELF								YES
10051922-201OELF								YES
10051922-221OELF								YES
10051922-241OELF								YES
10051922-261OELF	32	14.2	37.5	8	28.4	Au	4500	YES
10051922-281OELF								YES
10051922-301OELF								YES

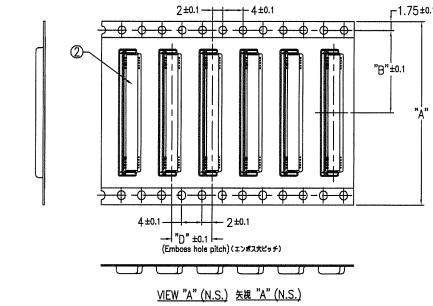
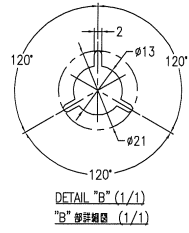
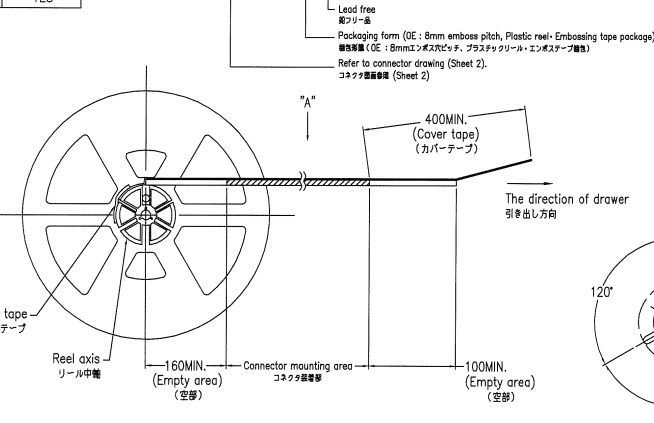
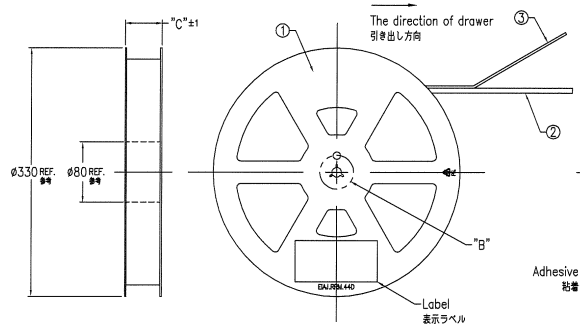
No.	Part name 部品名	Material 材質	QTY.	Nota 備考
①	The reel for packaging 巻取用リール	Polystyrene ポリスチレン	1	Color: White, Electrification prevention processing 色:白、帯電防止処理品
②	Emboss tape エンボステープ	PET	1	Electrification prevention processing 帯電防止処理品
③	Cover tape カバーテープ	Polyester ポリエステル	1	
④	Connector コネクタ	See sheet 1	4500	APPLIED FOR 8mm PITCH EMBOS TAPE

EMBOSS PACKAGE

NOTE
 1. This article carries out the emboss tape package of the 0.5mm pitch connector for FPC.
 2. The shape and dimension of this article are based on JIS C 0806.
 (Taping of electronic parts (Surface mounted device))

注記
 1. 本品は 0.5mm ピッチ FPC 用コネクタをエンボステープ梱包したものである。
 2. 本品の形状及び寸法規定は JIS C 0806 (電子部品のテーピング (表面実装部品)) に準拠する。

<P/N composition> <P/N 構成>
 10051922-16 1 0E LF



mat'l. code	surface	tolerance	projection	product family	CODE
---	ISO 1302	ISO 406 ISO 1101	mm	59GF FLEX 0.5	JP
ltr description	ecn no	dr	date	title	
A RELEASED	J05-0356	N.S	6/20/05	ASSEMBLY	
				0.5mm PITCH CONNECTOR FOR FPC	
				VLL Series	
E REVISED	J08-0283	N.S	2008-7-1	dwg no	sheet 4 of 5 size
F REVISED	J08-0178	N.S	2008-5-7	10051922	A3
G ADDED/P/N	J10-0142	N.S	2010-6-4	type	Product Customer Drawing
H REVISED	J10-0171	N.S	2010-6-23	Rev.	

