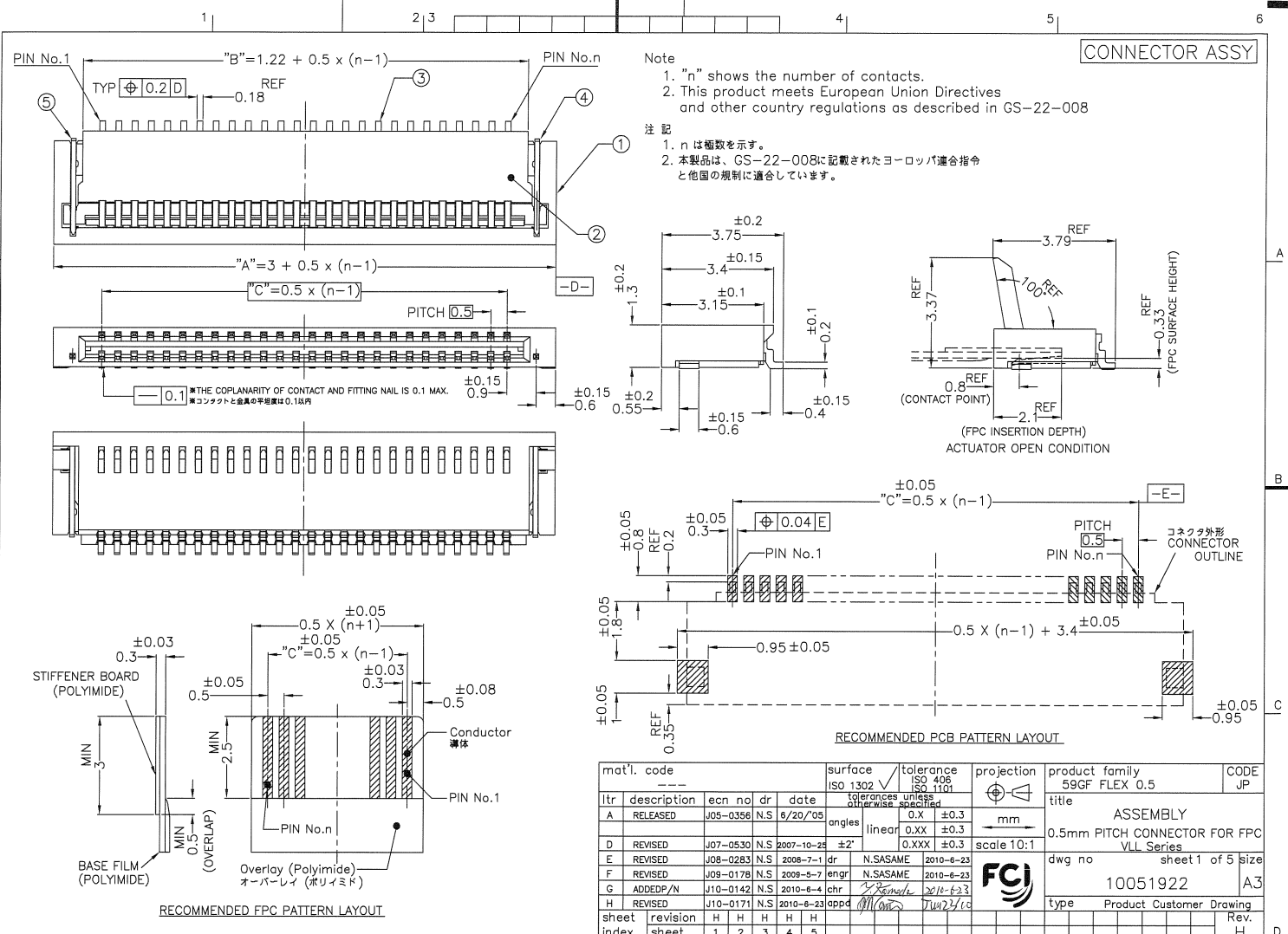


CONNECTOR ASSY

Note
 1. "n" shows the number of contacts.
 2. This product meets European Union Directives and other country regulations as described in GS-22-008

注記
 1. n は極数を示す。
 2. 本製品は、GS-22-008に記載されたヨーロッパ指令と他国の規制に適合しています。



RECOMMENDED PCB PATTERN LAYOUT

mat'l. code	surface	tolerance	projection	product family	CODE
---	ISO 1302	ISO 406	ϕ	59GF FLEX 0.5	JP
l/r	description	ecn no	dr	date	tolerances unless otherwise specified
A	RELEASED	J05-0356	N.S	6/20/05	linear 0.X ± 0.3 0.XXX ± 0.3
D	REVISED	J07-0530	N.S	2007-10-25	angles $\pm 2'$
E	REVISED	J08-0283	N.S	2008-7-1	engr N.SASAME 2010-6-23
F	REVISED	J09-0178	N.S	2009-5-7	chr N.SASAME 2010-6-23
G	ADDED/P/N	J10-0142	N.S	2010-6-4	appd <i>Y. Kameda</i> 2010-6-23
H	REVISED	J10-0171	N.S	2010-6-23	appd <i>Y. Kameda</i> 2010-6-23
sheet index	revision sheet	H	H	H	H
	1	2	3	4	5

title: ASSEMBLY
 0.5mm PITCH CONNECTOR FOR FPC VLL Series
 dwg no: 10051922
 scale 10:1
 type: Product Customer Drawing

CONNECTOR ASSY

<P/N composition> <P/N構成>
10051922- 24 1 LF

- Lead free 鉛フリー
- Contact point plating variation (1: Au plating) 接点鍍膜のバリエーション(1:金めっき)
- The number of contacts 極数
- Series name シリーズ名

PARTS TABLE 部品表

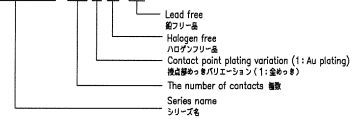
No.	Part name 部品名	Material 材質	Finish めっき	Note 備考
①	Housing ハウジング	Enter glass fiber LCP resin ガラス繊維入り LCP 樹脂	---	色: 黒色, ULS4V-0 Color: Black, ULS4V-0
②	Actuator アクチュエーター	Enter glass fiber STPA resin ガラス繊維入り STPA樹脂	---	色: 黒, ULS4V-0 Color: Black, ULS4V-0
③	Contact コンタクト	Copper alloy 銅合金	Au plating (Nickel underplating) 金めっき(ニッケル下地めっき)	ニッケル下地あり With Ni dam on the contact
④	Fitting nail (right side) 挿着金具(右側)	Copper alloy 銅合金	Tin alloy plating (Nickel underplating) スズ合金めっき(ニッケル下地めっき)	---
⑤	Fitting nail (left side) 挿着金具(左側)	Copper alloy 銅合金	Tin alloy plating (Nickel underplating) スズ合金めっき(ニッケル下地めっき)	---

CONTACT PLATING	DIM "C"	DIM "B"	DIM "A"	FITTING NAIL(L)			FITTING NAIL(R)			CONTACT QTY	ACTUATOR QTY	HOUSING QTY	PRODUCT NO.
				⑤	④	③	④	③					
Au	14.5	15.72	17.5	1	1	30	1	1	10051922-301LF				
Au	13.5	14.72	16.5	1	1	28	1	1	10051922-281LF				
Au	12.5	13.72	15.5	1	1	26	1	1	10051922-261LF				
Au	11.5	12.72	14.5	1	1	24	1	1	10051922-241LF				
Au	10.5	11.72	13.5	1	1	22	1	1	10051922-221LF				
Au	9.5	10.72	12.5	1	1	20	1	1	10051922-201LF				
Au	9	10.22	12	1	1	19	1	1	10051922-191LF				
Au	8.5	9.72	11.5	1	1	18	1	1	10051922-181LF				
Au	7.5	8.72	10.5	1	1	16	1	1	10051922-161LF				
Au	7	8.22	10	1	1	15	1	1	10051922-151LF				
Au	6.5	7.72	9.5	1	1	14	1	1	10051922-141LF				
Au	5.5	6.72	8.5	1	1	12	1	1	10051922-121LF				
Au	5	6.22	8	1	1	11	1	1	10051922-111LF				
Au	4.5	5.72	7.5	1	1	10	1	1	10051922-101LF				
Au	3.5	4.72	6.5	1	1	8	1	1	10051922-081LF				

mat'l. code	---	surface	ISO 1302	tolerance	ISO 406	projection	product family	CODE
tr	description	ecn no	dr	date	ISO 1101	mm	59GF FLEX 0.5	JP
A	RELEASED	J05-0356	N.S	6/20/05	tolerances unless otherwise specified	→	ASSEMBLY	
					angles	linear	0.5mm PITCH CONNECTOR FOR FPC	
					±2°	0.XX ±0.3	VLL Series	
						0.XXX ±0.3	scale 10:1	
E	REVISED	J08-0283	N.S	2008-7-1	dr		dwg no	sheet 2 of 5 size
F	REVISED	J08-0178	N.S	2008-5-7	engr		10051922	A3
G	ADDEDP/N	J10-0142	N.S	2010-6-4	chr		type	Product Customer Drawing
H	REVISED	J10-0171	N.S	2010-6-23	appd		Rev.	
sheet	revision							
index	sheet							

CONNECTOR ASSY
 HALOGEN FREE

<P/N composition> <P/N 構成>
 10051922-24 1 H LF



PARTS TABLE 部品表

No.	Part name	Material	Finish	Note
①	Housing ハウジング	Enter glass fiber LCP resin ガラス繊維入り LCP 樹脂	---	色: 無白色, UL94V-0 Color: Natural, UL94V-0
②	Actuator アクチュエーター	Enter glass fiber LCP resin ガラス繊維入り LCP 樹脂	---	色: 無白色, UL94V-0 Color: Natural, UL94V-0
③	Contact コンタクト	Copper alloy 銅合金	Au plating (Nickel underplating) 金めっき (ニッケル下地めっき)	ニッケル下地めっき With Ni dam on the contact
④	Fitting nail (Right side) 挿込金 (右側)	Copper alloy 銅合金	Tin alloy plating (Nickel underplating) スズ合金めっき (ニッケル下地めっき)	---
⑤	Fitting nail (Left side) 挿込金 (左側)	Copper alloy 銅合金	Tin alloy plating (Nickel underplating) スズ合金めっき (ニッケル下地めっき)	---

	14.5	15.72	17.5	1	1	30	1	1	10051922-301HLF
	13.5	14.72	16.5	1	1	28	1	1	10051922-281HLF
	12.5	13.72	15.5	1	1	26	1	1	10051922-261HLF
	11.5	12.72	14.5	1	1	24	1	1	10051922-241HLF
	10.5	11.72	13.5	1	1	22	1	1	10051922-221HLF
	9.5	10.72	12.5	1	1	20	1	1	10051922-201HLF
	9	10.22	12	1	1	19	1	1	10051922-191HLF
	8.5	9.72	11.5	1	1	18	1	1	10051922-181HLF
	7.5	8.72	10.5	1	1	16	1	1	10051922-161HLF
	7	8.22	10	1	1	15	1	1	10051922-151HLF
	6.5	7.72	9.5	1	1	14	1	1	10051922-141HLF
	5.5	6.72	8.5	1	1	12	1	1	10051922-121HLF
	5	6.22	8	1	1	11	1	1	10051922-111HLF
	4.5	5.72	7.5	1	1	10	1	1	10051922-101HLF
	3.5	4.72	6.5	1	1	8	1	1	10051922-081HLF

CONTACT PLATING	DIM "c"	DIM "b"	DIM "a"	⑤ FITTING NAIL(L) QTY	④ FITTING NAIL(R) QTY	③ CONTACT QTY	② ACTUATOR QTY	① HOUSING QTY	PRODUCT NO.
mat'l. code	---			surface	ISO 1302	tolerance	ISO 406	projection	product family
ltr	description	ecn no	dr	date	tolerances unless otherwise specified	linear	0.XX ±0.3	mm	59GF FLEX 0.5
					angles	0.XXX ±0.3	scale 10:1		CODE JP
					±2°	0.XXX ±0.3			
					dr	N.SASAME 2010-6-23			
					enrg	N.SASAME 2010-6-23			
G	ADDEDP/N	J10-0142	N.S	2010-6-4	chr	N.SASAME 2010-6-23			
H	REVISED	J10-0171	N.S	2010-6-23	appd	N.SASAME 2010-6-23			
sheet index	revision sheet								

PRODUCT NO.	DIM "A"	DIM "B"	DIM "C"	DIM "D"	DIM "E"	CONTACT PLATING	Emboss QTY.	TOOLING AVAILABLE
10051922-081OELF	16	7.5	21.5	8	--	Au	4500	YES
10051922-101OELF								YES
10051922-111OELF								YES
10051922-121OELF								YES
10051922-141OELF								YES
10051922-151OELF	24	11.5	29.5	8	--	Au	4500	YES
10051922-161OELF								YES
10051922-181OELF								YES
10051922-191OELF								YES
10051922-201OELF								YES
10051922-221OELF								YES
10051922-241OELF								YES
10051922-261OELF	32	14.2	37.5	8	28.4	Au	4500	YES
10051922-281OELF								YES
10051922-301OELF								YES

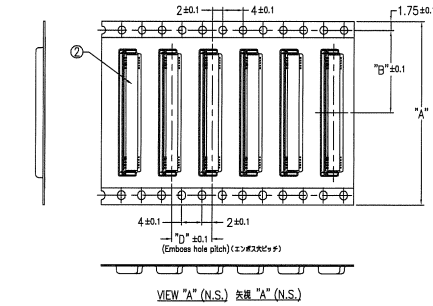
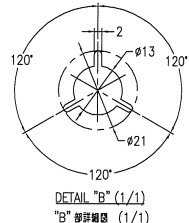
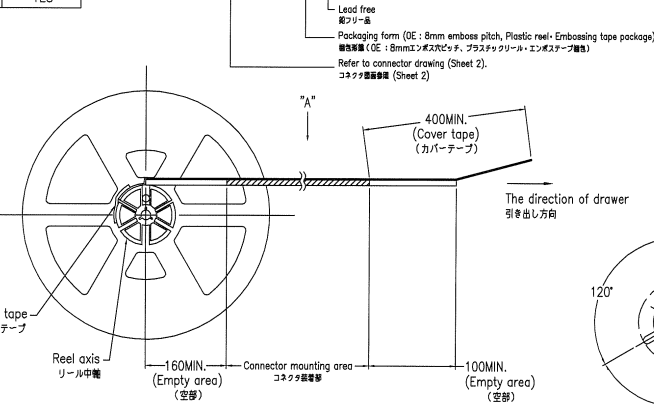
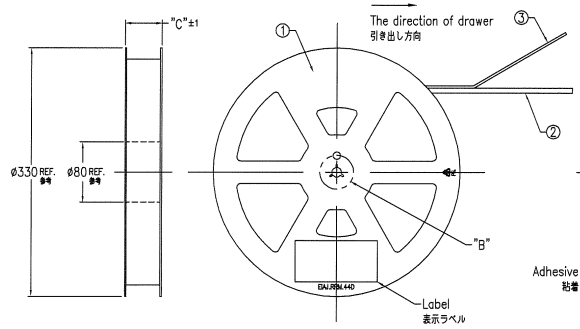
No.	Part name 部品名	Material 材質	QTY.	Nota 備考
①	The reel for packaging 巻取用リール	Polystyrene ポリスチレン	1	Color: White, Electrification prevention processing 色: 白、帯電防止処理品
②	Emboss tape エンボステープ	PET	1	Electrification prevention processing 帯電防止処理品
③	Cover tape カバーテープ	Polyester ポリエステル	1	
④	Connector コネクタ	See sheet 1	4500	APPLIED FOR 8mm PITCH EMBOS TAPE

EMBOSS PACKAGE

NOTE
 1. This article carries out the emboss tape package of the 0.5mm pitch connector for FPC.
 2. The shape and dimension of this article are based on JIS C 0806.
 (Taping of electronic parts (Surface mounted device))

注記
 1. 本品は 0.5mm ピッチ FPC 用コネクタをエンボステープ梱包したものである。
 2. 本品の形状及び寸法規定は JIS C 0806 (電子部品のテーピング (表面実装部品)) に準拠する。

<P/N composition> <P/N 構成>
 10051922-16 1 0E LF



mat'l. code	surface	tolerance	projection	product family	CODE
---	ISO 1302	ISO 406 ISO 1101	mm	59GF FLEX 0.5	JP
ltr	description	ecn no	dr	date	tolerances unless otherwise specified
A	RELEASED	J05-0356	N.S	6/20/05	angles ±2°
E	REVISED	J08-0283	N.S	2008-7-1	linear 0.XX ±0.3
F	REVISED	J09-0178	N.S	2009-5-7	0.XXX ±0.3
G	ADDED/P/N	J10-0142	N.S	2010-6-4	scale 10:1
H	REVISED	J10-0171	N.S	2010-6-23	



PDM: Rev:H STATUS Released Printed: Jun 24, 2010

FCJ FCIconnect.com Copyright FCJ

PRODUCT NO.	DIM "A"	DIM "B"	DIM "C"	DIM "D"	DIM "E"	CONTACT PLATING	Emboss QTY.	TOOLING AVAILABLE
10051922-0810EHLF	16	7.5	21.5	8	--	Au	4500	YES
10051922-1010EHLF								YES
10051922-1110EHLF								YES
10051922-1210EHLF								YES
10051922-1410EHLF								YES
10051922-1510EHLF	24	11.5	29.5	8	--	Au	4500	YES
10051922-1610EHLF								YES
10051922-1810EHLF								YES
10051922-1910EHLF								YES
10051922-2010EHLF								YES
10051922-2210EHLF								YES
10051922-2410EHLF								YES
10051922-2610EHLF	32	14.2	37.5	8	28.4	Au	4500	YES
10051922-2810EHLF								YES
10051922-3010EHLF								YES

No.	Part name	Material	QTY.	Note
①	The reel for packaging 巻取用リール	Polyethylene ポリエチレン	1	Color: White, Electrification prevention processing 色:白、帯電防止処理品
②	Emboss tape エンボステープ	PET	1	Electrification prevention processing 帯電防止処理品
③	Cover tape カバーテープ	Polyester ポリエステル	1	
④	Connector コネクタ	See sheet 1	4500	APPLIED FOR 6mm PITCH EMBOS TAPE

EMBOSS PACKAGE
HALOGEN FREE

NOTE

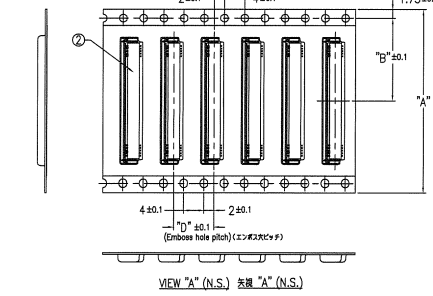
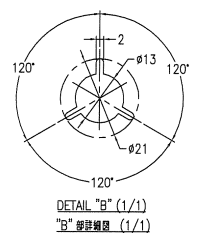
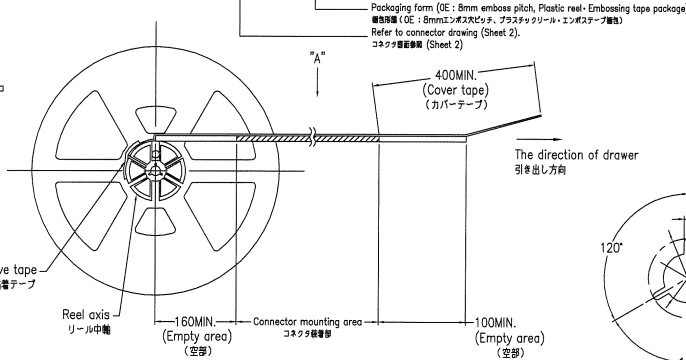
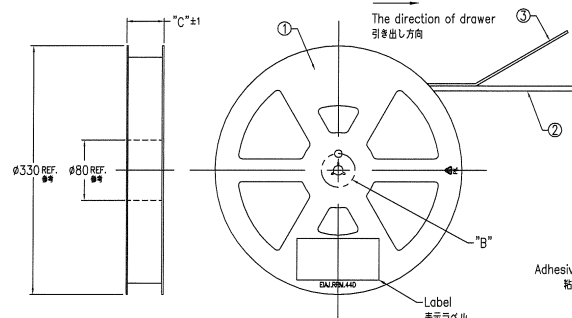
- This article carries out the emboss tape package of the 0.5mm pitch connector for FPC.
- The shape and dimension of this article are based on JIS C 0806.
(Taping of electronic parts (Surface mounted device))

注 記

- 本品は 0.5mm ピッチ FPC 用コネクタをエンボステープ梱包したものである。
- 本品の形状及び寸法規定は JIS C 0806 (電子部品のテーピング (表面実装部品)) に準拠する。

<P/N composition> <P/N 構成>

10051922-16 1 0E H LF



mat'l. code	---	surface	ISO 1302	tolerance	ISO 406	projection	product family	CODE
ltr	description	ecn no	dr	date	ISO 1101	scale 10:1	59GF FLEX 0.5	JP
					tolerances unless otherwise specified			
					angles	mm		
					±2°		ASSEMBLY	
					linear		0.5mm PITCH CONNECTOR FOR FPC	
					0.XX		VLL Series	
					0.XXX		sheet 5 of 5 size	
					dr		10051922	A3
					enrg		type	Product Customer Drawing
G	ADDEDP/N	J10-0142	N.S	2010-6-4	chr		Rev.	H
H	REVISED	J10-0171	N.S	2010-6-23	appd			
sheet index	revision sheet							