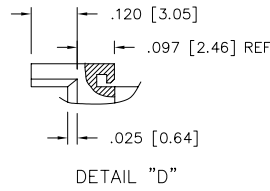
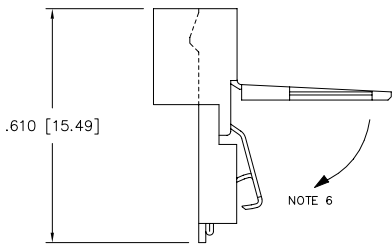
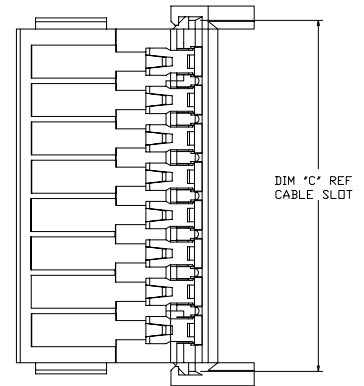
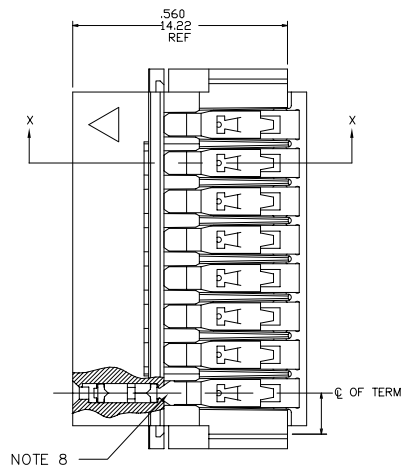
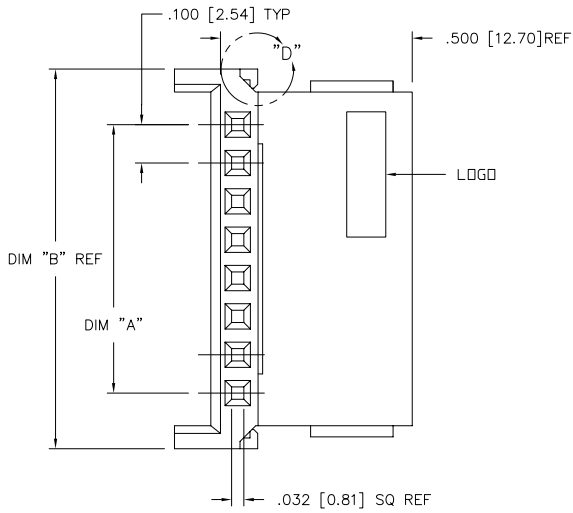


PRODUCT NUMBER
SEE TABLE

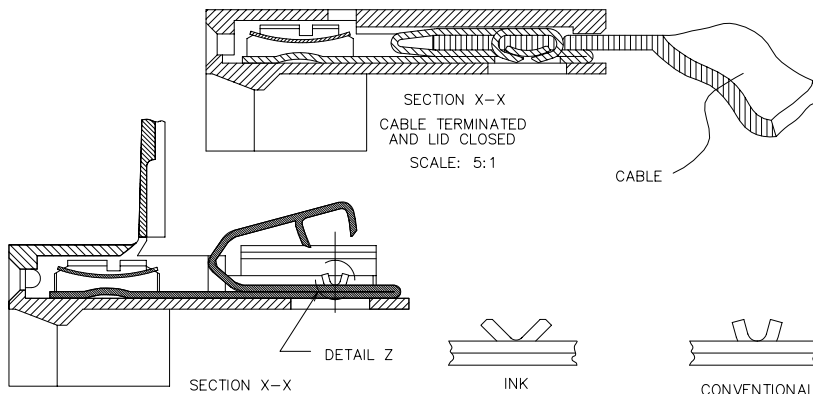


| | | | | | | |
|-------------|----------------|--------------|---------------------------------------|------------------|--|-------------------|
| mat'l. code | | surface | tolerance | projection | product family | |
| | | ISO 1302 | ISO 406 | | CLINCHER | |
| | | ISO 1101 | ISO 1101 | | | |
| ltr | ecn no/dr | date | tolerances unless otherwise specified | INCH/MM | title | |
| E | V50168 | HTB 1/20/95 | angles linear .XX±.01/.3 | scale 1:3 | CLINCHER™ RECEPTACLE ASSEMBLY-LATCHING | |
| F | V50221 | HTB 2/7/95 | .XXX±.005/.13 | | dwg no | sheet 1 of 6 size |
| G | V50244 | HTB 2/14/95 | 0°±2' | .XXXX±.0020/.051 | 67516 | A3 |
| H | V51638 | HTB 12/29/95 | dr | M. FETROW | 9/15/94 | |
| J | M05-0087 | MHT 6/17/05 | engr | T. HANNA | 9/15/94 | |
| K | M06-0233 | AGS 06/12/06 | chr | T.BREWBAKER | 9/15/94 | |
| L | M07-0170 | MHT 3/30/07 | appd | T.HANNA | 9/15/94 | |
| sheet index | revision sheet | L L L L L L | L L L L L L | | | |
| | | 1 2 3 4 5 6 | | | | |

| PRODUCT NUMBER | PLATING AVAILABLE | | |
|----------------|-------------------|--|--|
| SEE TABLE | PLATING CODE | TERMINAL | SPRING |
| 1 | 1 | 100u"/2.54u MIN. THICK PURE TIN | 10u"/.25u MIN. THICK PURE TIN |
| 2 | 2 | 30u"/.76u MIN. GOLD STRIPE IN BOX AREA | 3u"/.08u MIN. GOLD OVER 50u"/1.27u MIN. NICKEL |

PRODUCT NUMBER
67516-XXXLF

LEAD FREE OPTION
NOTE 9,10
NO OF POSITIONS
AND PLATING
BASE PART NUMBER



NOTES:

1. HOUSING MATERIAL: THERMOPLASTIC, FLAME RETARDANT PER UL 94V-0. COLOR: BLUE.
2. TERMINAL MATERIAL: 1/2 HARD Cu Ni ALLOY, UNS-C72500.
3. TERMINAL PLATING: SEE TABLE.
4. SEE TA-372 FOR CRIMP HEIGHT.
5. FOR CABLE & CIRCUITRY INFORMATION SEE TA-264 AND TA-371.
6. LATCH SNAPS CLOSED AFTER TERMINATION MAINTAINING A MAX OVER ALL HEIGHT OF .100/2.54.
7. NO CENTER HINGE 2 THRU 8 POSITIONS. SINGLE CENTER HINGE 9 THRU 15 POSITIONS. TWO CENTER HINGES FOR 16 POSITION PARTS.
8. KNURL MARK INDICATES FOR USE WITH INK TERMINATION. CONSULT WITH BERG ELECTRONICS TECHNICAL REPRESENTATIVE FOR SPECIFIC APPLICATIONS.
9. ADD "LF" SUFFIX AT THE END OF PART NUMBER FOR LEAD FREE OPTION.
10. THIS PRODUCT MEETS EUROPEAN UNION DIRECTIVES AND OTHER COUNTRY REGULATION AS DESCRIBED IN GS-22-008.
11. THE PRODUCT IS NOT INTENDED TO BE EXPOSED TO A MANUFACTURING SOLDER PROCESS

| | | | | |
|-------------|---------------------------------------|--------------|------------|--|
| mat'l. code | surface | tolerance | projection | product family |
| ltr | ISO 1302 | ISO 406 | ISO 1101 | CLINCHER |
| ecr | tolerances unless otherwise specified | | | title |
| no | angles | linear | INCH/MM | CLINCHER™ RECEPTACLE ASSEMBLY-LATCHING |
| dr | 0°±2' | .XX±.01/3 | scale 1:3 | sheet 2 of 6 size |
| date | dr | M. FETROW | 9/15/94 | 67516 |
| | enrg | T. HANNA | 9/15/94 | A3 |
| | chr | T. BREWBAKER | 9/15/94 | type |
| | appd | T. HANNA | 9/15/94 | Product Customer Drawing |
| sheet index | revision sheet | | | |

| PRODUCT NUMBER | NO. OF | DIM. A | DIM. A | DIM. B | DIM. B | DIM. C | DIM. C | PLATING | TERMINATION |
|----------------|--------|---------|---------|---------|--------|---------|--------|---------|--------------|
| NOTE 9 | POS. | ENGLISH | METRIC | ENGLISH | METRIC | ENGLISH | METRIC | CODE | NOTE 8 |
| 67516-001 | | U N A | S S I G | N E D | | | | | |
| 67516-002 | 2 | 0.100 | 2.54 | 0.390 | 9.91 | 0.315 | 8.00 | 1 | CONVENTIONAL |
| 67516-003 | 3 | 0.200 | 5.08 | 0.490 | 12.45 | 0.415 | 10.54 | 1 | CONVENTIONAL |
| 67516-004 | 4 | 0.300 | 7.62 | 0.590 | 14.99 | 0.515 | 13.08 | 1 | CONVENTIONAL |
| 67516-005 | 5 | 0.400 | 10.16 | 0.690 | 17.53 | 0.615 | 15.62 | 1 | CONVENTIONAL |
| 67516-006 | 6 | 0.500 | 12.70 | 0.790 | 20.07 | 0.715 | 18.16 | 1 | CONVENTIONAL |
| 67516-007 | 7 | 0.600 | 15.24 | 0.890 | 22.61 | 0.815 | 20.70 | 1 | CONVENTIONAL |
| 67516-008 | 8 | 0.700 | 17.78 | 0.990 | 25.15 | 0.915 | 23.24 | 1 | CONVENTIONAL |
| 67516-009 | 9 | 0.800 | 20.32 | 1.090 | 27.69 | 1.015 | 25.78 | 1 | CONVENTIONAL |
| 67516-010 | 10 | 0.900 | 22.86 | 1.190 | 30.23 | 1.115 | 28.32 | 1 | CONVENTIONAL |
| 67516-011 | 11 | 1.000 | 25.40 | 1.290 | 32.77 | 1.215 | 30.86 | 1 | CONVENTIONAL |
| 67516-012 | 12 | 1.100 | 27.94 | 1.390 | 35.31 | 1.315 | 33.40 | 1 | CONVENTIONAL |
| 67516-013 | 13 | 1.200 | 30.48 | 1.490 | 37.85 | 1.415 | 35.94 | 1 | CONVENTIONAL |
| 67516-014 | 14 | 1.300 | 33.02 | 1.590 | 40.39 | 1.515 | 38.48 | 1 | CONVENTIONAL |
| 67516-015 | 15 | 1.400 | 35.56 | 1.690 | 42.93 | 1.615 | 41.02 | 1 | CONVENTIONAL |
| 67516-016 | 16 | 1.500 | 38.10 | 1.790 | 45.47 | 1.715 | 43.56 | 1 | CONVENTIONAL |

FCI
FCIconnect.com

Copyright FCI

| | | | | |
|---------------------------------------|----------------|------------------|-----------------------------------|----------------|
| mat'l. code | surface | tolerance | projection | product family |
| ISO 1302 | ISO 406 | ISO 1101 | | CLINCHER |
| ltr | ecn | no | dr | date |
| L | | | | |
| tolerances unless otherwise specified | | title | | |
| angles | linear | .XX±.01/.3 | CLINCHER™ RECEPTACLE | |
| 0°±2' | | .XXX±.005/.13 | ASSEMBLY-LATCHING | |
| | | .XXXX±.0020/.051 | scale 1:3 | |
| dr | M. FETROW | 9/15/94 | FCI | |
| engr | T. HANNA | 9/15/94 | dwg no 67516 sheet 3 of 6 size A3 | |
| chr | T.BREWBAKER | 9/15/94 | type Product Customer Drawing | |
| appd | T.HANNA | 9/15/94 | | |
| sheet index | revision sheet | | | |

PDM: Rev:L STATUS:Released Printed: Jul 22, 2010

| PRODUCT NUMBER | NO. OF | DIM. A | DIM. A | DIM. B | DIM. B | DIM. C | DIM. C | PLATING | TERMINATION |
|----------------|--------|---------|---------|---------|--------|---------|--------|---------|--------------|
| NOTE 9 | POS. | ENGLISH | METRIC | ENGLISH | METRIC | ENGLISH | METRIC | CODE | NOTE 8 |
| 67516-201 | | U N A | S S I G | N E D | | | | | |
| 67516-202 | 2 | 0.100 | 2.54 | 0.390 | 9.91 | 0.315 | 8.00 | 2 | CONVENTIONAL |
| 67516-203 | 3 | 0.200 | 5.08 | 0.490 | 12.45 | 0.415 | 10.54 | 2 | CONVENTIONAL |
| 67516-204 | 4 | 0.300 | 7.62 | 0.590 | 14.99 | 0.515 | 13.08 | 2 | CONVENTIONAL |
| 67516-205 | 5 | 0.400 | 10.16 | 0.690 | 17.53 | 0.615 | 15.62 | 2 | CONVENTIONAL |
| 67516-206 | 6 | 0.500 | 12.70 | 0.790 | 20.07 | 0.715 | 18.16 | 2 | CONVENTIONAL |
| 67516-207 | 7 | 0.600 | 15.24 | 0.890 | 22.61 | 0.815 | 20.70 | 2 | CONVENTIONAL |
| 67516-208 | 8 | 0.700 | 17.78 | 0.990 | 25.15 | 0.915 | 23.24 | 2 | CONVENTIONAL |
| 67516-209 | 9 | 0.800 | 20.32 | 1.090 | 27.69 | 1.015 | 25.78 | 2 | CONVENTIONAL |
| 67516-210 | 10 | 0.900 | 22.86 | 1.190 | 30.23 | 1.115 | 28.32 | 2 | CONVENTIONAL |
| 67516-211 | 11 | 1.000 | 25.40 | 1.290 | 32.77 | 1.215 | 30.86 | 2 | CONVENTIONAL |
| 67516-212 | 12 | 1.100 | 27.94 | 1.390 | 35.31 | 1.315 | 33.40 | 2 | CONVENTIONAL |
| 67516-213 | 13 | 1.200 | 30.48 | 1.490 | 37.85 | 1.415 | 35.94 | 2 | CONVENTIONAL |
| 67516-214 | 14 | 1.300 | 33.02 | 1.590 | 40.39 | 1.515 | 38.48 | 2 | CONVENTIONAL |
| 67516-215 | 15 | 1.400 | 35.56 | 1.690 | 42.93 | 1.615 | 41.02 | 2 | CONVENTIONAL |
| 67516-216 | 16 | 1.500 | 38.10 | 1.790 | 45.47 | 1.715 | 43.56 | 2 | CONVENTIONAL |

FCI
FCIconnect.com

Copyright FCI

| | | | | |
|---------------------------------------|-------------|------------------|------------|--------------------------|
| mat'l. code | surface | tolerance | projection | product family |
| ISO 1302 | ISO 406 | ISO 1101 | 1st angle | CLINCHER |
| ltr | ecn | no | dr | date |
| L | | | | |
| tolerances unless otherwise specified | | .XX±.01/.3 | INCH/MM | title |
| angles | linear | .XXX±.005/.13 | scale 1:3 | CLINCHER™ RECEPTACLE |
| 0°±2' | | .XXXX±.0020/.051 | | ASSEMBLY-LATCHING |
| dr | M. FETROW | 9/15/94 | | dwg no |
| engr | T. HANNA | 9/15/94 | | 67516 |
| chr | T.BREWBAKER | 9/15/94 | | sheet 4 of 6 |
| appd | T.HANNA | 9/15/94 | | size |
| | | | | A3 |
| sheet | revision | | | type |
| index | sheet | | | Product Customer Drawing |

PDM: Rev:L STATUS Released Printed: Jul 22, 2010

| PRODUCT NUMBER | NO. OF | DIM. A | DIM. A | DIM. B | DIM. B | DIM. C | DIM. C | PLATING | TERMINATION |
|----------------|--------|---------|---------|---------|--------|---------|--------|---------|-------------|
| NOTE 9 | POS. | ENGLISH | METRIC | ENGLISH | METRIC | ENGLISH | METRIC | CODE | NOTE 8 |
| 67516-501 | | U N A | S S I G | N E D | | | | | |
| 67516-502 | 2 | 0.100 | 2.54 | 0.390 | 9.91 | 0.315 | 8.00 | 1 | INK |
| 67516-503 | 3 | 0.200 | 5.08 | 0.490 | 12.45 | 0.415 | 10.54 | 1 | INK |
| 67516-504 | 4 | 0.300 | 7.62 | 0.590 | 14.99 | 0.515 | 13.08 | 1 | INK |
| 67516-505 | 5 | 0.400 | 10.16 | 0.690 | 17.53 | 0.615 | 15.62 | 1 | INK |
| 67516-506 | 6 | 0.500 | 12.70 | 0.790 | 20.07 | 0.715 | 18.16 | 1 | INK |
| 67516-507 | 7 | 0.600 | 15.24 | 0.890 | 22.61 | 0.815 | 20.70 | 1 | INK |
| 67516-508 | 8 | 0.700 | 17.78 | 0.990 | 25.15 | 0.915 | 23.24 | 1 | INK |
| 67516-509 | 9 | 0.800 | 20.32 | 1.090 | 27.69 | 1.015 | 25.78 | 1 | INK |
| 67516-510 | 10 | 0.900 | 22.86 | 1.190 | 30.23 | 1.115 | 28.32 | 1 | INK |
| 67516-511 | 11 | 1.000 | 25.40 | 1.290 | 32.77 | 1.215 | 30.86 | 1 | INK |
| 67516-512 | 12 | 1.100 | 27.94 | 1.390 | 35.31 | 1.315 | 33.40 | 1 | INK |
| 67516-513 | 13 | 1.200 | 30.48 | 1.490 | 37.85 | 1.415 | 35.94 | 1 | INK |
| 67516-514 | 14 | 1.300 | 33.02 | 1.590 | 40.39 | 1.515 | 38.48 | 1 | INK |
| 67516-515 | 15 | 1.400 | 35.56 | 1.690 | 42.93 | 1.615 | 41.02 | 1 | INK |
| 67516-516 | 16 | 1.500 | 38.10 | 1.790 | 45.47 | 1.715 | 43.56 | 1 | INK |

FCI
FCIconnect.com

Copyright FCI

| | | | | |
|---------------------------------------|-------------|------------------|------------|--------------------------|
| mat'l. code | surface | tolerance | projection | product family |
| ISO 1302 | ISO 406 | ISO 1101 | 1st angle | CLINCHER |
| ltr | ecn | no | dr | date |
| L | | | | |
| tolerances unless otherwise specified | | .XX±.01/.3 | INCH/MM | title |
| angles | linear | .XXX±.005/.13 | scale 1:3 | CLINCHER™ RECEPTACLE |
| 0°±2° | | .XXXX±.0020/.051 | FCI | ASSEMBLY-LATCHING |
| dr | M. FETROW | 9/15/94 | | dwg no |
| enrg | T. HANNA | 9/15/94 | | 67516 |
| chr | T.BREWBAKER | 9/15/94 | | sheet 5 of 6 |
| appd | T.HANNA | 9/15/94 | | size |
| | | | | A3 |
| sheet | revision | | | type |
| index | sheet | | | Product Customer Drawing |

PDM: Rev:L STATUS Released Printed: Jul 22, 2010

| PRODUCT NUMBER | NO. OF | DIM. A | DIM. A | DIM. B | DIM. B | DIM. C | DIM. C | PLATING | TERMINATION |
|----------------|--------|---------|---------|---------|--------|---------|--------|---------|-------------|
| NOTE 9 | POS. | ENGLISH | METRIC | ENGLISH | METRIC | ENGLISH | METRIC | CODE | NOTE 8 |
| 67516-701 | | U N A | S S I G | N E D | | | | | |
| 67516-702 | 2 | 0.100 | 2.54 | 0.390 | 9.91 | 0.315 | 8.00 | 2 | INK |
| 67516-703 | 3 | 0.200 | 5.08 | 0.490 | 12.45 | 0.415 | 10.54 | 2 | INK |
| 67516-704 | 4 | 0.300 | 7.62 | 0.590 | 14.99 | 0.515 | 13.08 | 2 | INK |
| 67516-705 | 5 | 0.400 | 10.16 | 0.690 | 17.53 | 0.615 | 15.62 | 2 | INK |
| 67516-706 | 6 | 0.500 | 12.70 | 0.790 | 20.07 | 0.715 | 18.16 | 2 | INK |
| 67516-707 | 7 | 0.600 | 15.24 | 0.890 | 22.61 | 0.815 | 20.70 | 2 | INK |
| 67516-708 | 8 | 0.700 | 17.78 | 0.990 | 25.15 | 0.915 | 23.24 | 2 | INK |
| 67516-709 | 9 | 0.800 | 20.32 | 1.090 | 27.69 | 1.015 | 25.78 | 2 | INK |
| 67516-710 | 10 | 0.900 | 22.86 | 1.190 | 30.23 | 1.115 | 28.32 | 2 | INK |
| 67516-711 | 11 | 1.000 | 25.40 | 1.290 | 32.77 | 1.215 | 30.86 | 2 | INK |
| 67516-712 | 12 | 1.100 | 27.94 | 1.390 | 35.31 | 1.315 | 33.40 | 2 | INK |
| 67516-713 | 13 | 1.200 | 30.48 | 1.490 | 37.85 | 1.415 | 35.94 | 2 | INK |
| 67516-714 | 14 | 1.300 | 33.02 | 1.590 | 40.39 | 1.515 | 38.48 | 2 | INK |
| 67516-715 | 15 | 1.400 | 35.56 | 1.690 | 42.93 | 1.615 | 41.02 | 2 | INK |
| 67516-716 | 16 | 1.500 | 38.10 | 1.790 | 45.47 | 1.715 | 43.56 | 2 | INK |



Copyright FCI

| | | | | |
|---------------------------------------|------------------|--|-------------------------------|-------------------|
| mat'l. code | surface | tolerance | projection | product family |
| ISO 1302 | ISO 406 | ISO 1101 | 1st angle | CLINCHER |
| ltr | ecn | no | dr | date |
| L | | | | |
| tolerances unless otherwise specified | | title | | |
| angles | linear | CLINCHER™ RECEPTACLE ASSEMBLY-LATCHING | | |
| 0°±2' | .XX±.01/.3 | INCH/MM | | |
| | .XXX±.005/.13 | scale 1:3 | | |
| | .XXXX±.0020/.051 | FCI | | |
| dr | M. FETROW | 9/15/94 | dwg no | |
| engr | T. HANNA | 9/15/94 | 67516 | sheet 6 of 6 size |
| chr | T.BREWBAKER | 9/15/94 | A3 | |
| appd | T.HANNA | 9/15/94 | type Product Customer Drawing | |
| sheet index | revision sheet | | | |