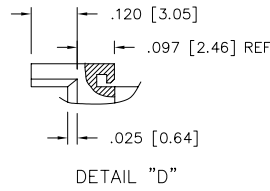
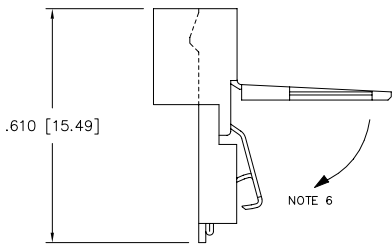
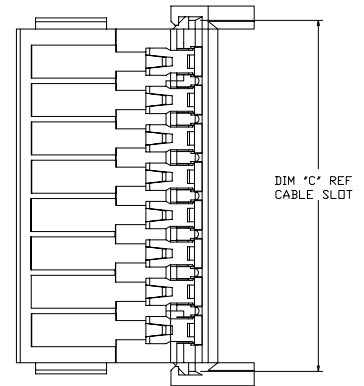
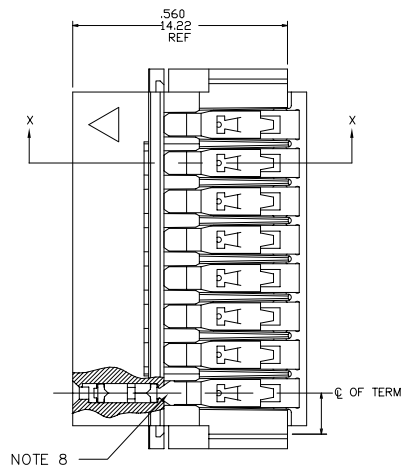
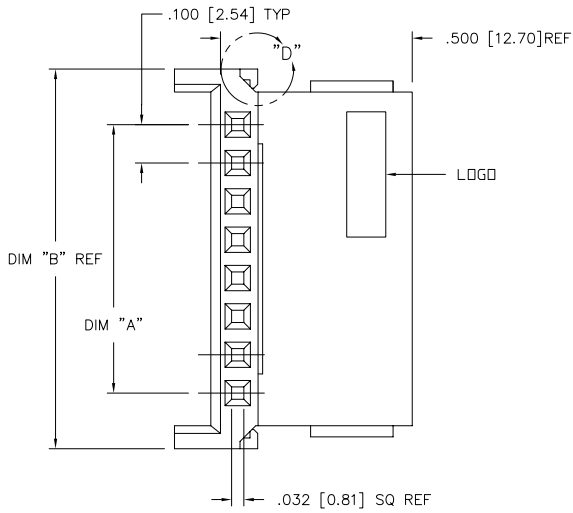


PRODUCT NUMBER
SEE TABLE

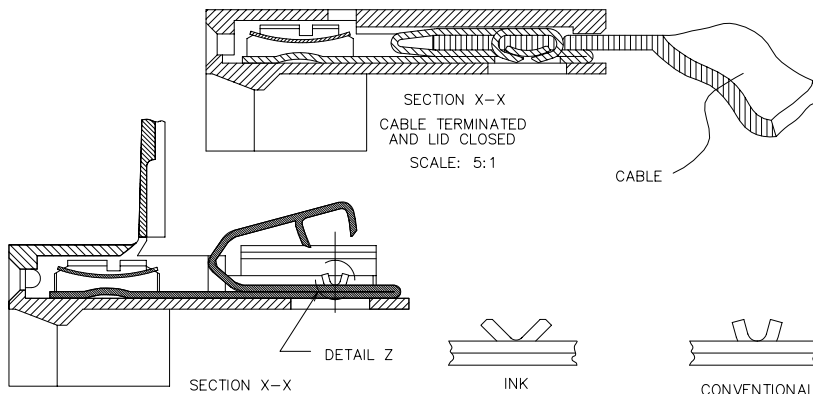


mat'l. code		surface	tolerance	projection	product family
ISO 1302		ISO 406	ISO 1101	CLINCHER	
ltr	ecn no	dr	date	title	
E	V50168	HTB	1/20/95	CLINCHER™ RECEPTACLE ASSEMBLY-LATCHING	
F	V50221	HTB	2/7/95	dwg no 67516 sheet 1 of 6 size A3	
G	V50244	HTB	2/14/95	type Product Customer Drawing	
H	V51638	HTB	12/29/95		
J	M05-0087	MHT	6/17/05		
K	M06-0233	AGS	06/12/06		
L	M07-0170	MHT	3/30/07		
sheet index	revision sheet	L	L	L	L
1	2	3	4	5	6

PRODUCT NUMBER		PLATING AVAILABLE	
SEE TABLE	PLATING CODE	TERMINAL	SPRING
1	1	100u"/2.54u MIN. THICK PURE TIN	10u"/.25u MIN. THICK PURE TIN
2	2	30u"/.76u MIN. GOLD STRIPE IN BOX AREA	3u"/.08u MIN. GOLD OVER 50u"/1.27u MIN. NICKEL

PRODUCT NUMBER
67516-XXXLF

LEAD FREE OPTION
NOTE 9,10
NO OF POSITIONS
AND PLATING
BASE PART NUMBER



NOTES:

- HOUSING MATERIAL: THERMOPLASTIC, FLAME RETARDANT PER UL 94V-0. COLOR: BLUE.
- TERMINAL MATERIAL: 1/2 HARD Cu Ni ALLOY, UNS-C72500.
- TERMINAL PLATING: SEE TABLE.
- SEE TA-372 FOR CRIMP HEIGHT.
- FOR CABLE & CIRCUITRY INFORMATION SEE TA-264 AND TA-371.
- LATCH SNAPS CLOSED AFTER TERMINATION MAINTAINING A MAX OVER ALL HEIGHT OF .100/2.54.
- NO CENTER HINGE 2 THRU 8 POSITIONS. SINGLE CENTER HINGE 9 THRU 15 POSITIONS. TWO CENTER HINGES FOR 16 POSITION PARTS.
- KNURL MARK INDICATES FOR USE WITH INK TERMINATION. CONSULT WITH BERG ELECTRONICS TECHNICAL REPRESENTATIVE FOR SPECIFIC APPLICATIONS.
- ADD "LF" SUFFIX AT THE END OF PART NUMBER FOR LEAD FREE OPTION.
- THIS PRODUCT MEETS EUROPEAN UNION DIRECTIVES AND OTHER COUNTRY REGULATION AS DESCRIBED IN GS-22-008.
- THE PRODUCT IS NOT INTENDED TO BE EXPOSED TO A MANUFACTURING SOLDER PROCESS

mat'l. code	surface	tolerance	projection	product family
ISO 1302	ISO 406	ISO 1101	CLINCHER	
ltr	ecn	no	dr	date
L				
tolerances unless otherwise specified		angles	linear	INCH/MM
.XX±.01/3		0°±2'	linear	scale 1:3
.XXX±.005/13		dr	M. FETROW	9/15/94
.XXXX±.0020/.051		enrg	T. HANNA	9/15/94
		chr	T. BREWBAKER	9/15/94
		appd	T. HANNA	9/15/94
sheet index	revision sheet			

title		product family	
CLINCHER™ RECEPTACLE ASSEMBLY-LATCHING		CLINCHER	
dwg no	sheet 2 of 6	size	
67516		A3	
type Product Customer Drawing			

PRODUCT NUMBER	NO. OF	DIM. A	DIM. A	DIM. B	DIM. B	DIM. C	DIM. C	PLATING	TERMINATION
NOTE 9	POS.	ENGLISH	METRIC	ENGLISH	METRIC	ENGLISH	METRIC	CODE	NOTE 8
67516-001		U N A	S S I G	N E D					
67516-002	2	0.100	2.54	0.390	9.91	0.315	8.00	1	CONVENTIONAL
67516-003	3	0.200	5.08	0.490	12.45	0.415	10.54	1	CONVENTIONAL
67516-004	4	0.300	7.62	0.590	14.99	0.515	13.08	1	CONVENTIONAL
67516-005	5	0.400	10.16	0.690	17.53	0.615	15.62	1	CONVENTIONAL
67516-006	6	0.500	12.70	0.790	20.07	0.715	18.16	1	CONVENTIONAL
67516-007	7	0.600	15.24	0.890	22.61	0.815	20.70	1	CONVENTIONAL
67516-008	8	0.700	17.78	0.990	25.15	0.915	23.24	1	CONVENTIONAL
67516-009	9	0.800	20.32	1.090	27.69	1.015	25.78	1	CONVENTIONAL
67516-010	10	0.900	22.86	1.190	30.23	1.115	28.32	1	CONVENTIONAL
67516-011	11	1.000	25.40	1.290	32.77	1.215	30.86	1	CONVENTIONAL
67516-012	12	1.100	27.94	1.390	35.31	1.315	33.40	1	CONVENTIONAL
67516-013	13	1.200	30.48	1.490	37.85	1.415	35.94	1	CONVENTIONAL
67516-014	14	1.300	33.02	1.590	40.39	1.515	38.48	1	CONVENTIONAL
67516-015	15	1.400	35.56	1.690	42.93	1.615	41.02	1	CONVENTIONAL
67516-016	16	1.500	38.10	1.790	45.47	1.715	43.56	1	CONVENTIONAL

FCI
FCIconnect.com

Copyright FCI

mat'l. code	surface	tolerance	projection	product family
ISO 1302	ISO 406	ISO 1101	1st angle	CLINCHER
ltr	ecn	no	dr	date
L				
tolerances unless otherwise specified		title		
angles	linear	.XX±.01/.3	CLINCHER™ RECEPTACLE	
0°±2'		.XXX±.005/.13	ASSEMBLY-LATCHING	
		.XXXX±.0020/.051	scale 1:3	
dr	M. FETROW	9/15/94	FCI	
engr	T. HANNA	9/15/94	dwg no 67516 sheet 3 of 6 size A3	
chr	T.BREWBAKER	9/15/94	type Product Customer Drawing	
appd	T.HANNA	9/15/94		
sheet index	revision sheet			

PDM: Rev:L STATUS Released Printed: Jul 22, 2010

PRODUCT NUMBER	NO. OF	DIM. A	DIM. A	DIM. B	DIM. B	DIM. C	DIM. C	PLATING	TERMINATION
NOTE 9	POS.	ENGLISH	METRIC	ENGLISH	METRIC	ENGLISH	METRIC	CODE	NOTE 8
67516-201		U N A	S S I G	N E D					
67516-202	2	0.100	2.54	0.390	9.91	0.315	8.00	2	CONVENTIONAL
67516-203	3	0.200	5.08	0.490	12.45	0.415	10.54	2	CONVENTIONAL
67516-204	4	0.300	7.62	0.590	14.99	0.515	13.08	2	CONVENTIONAL
67516-205	5	0.400	10.16	0.690	17.53	0.615	15.62	2	CONVENTIONAL
67516-206	6	0.500	12.70	0.790	20.07	0.715	18.16	2	CONVENTIONAL
67516-207	7	0.600	15.24	0.890	22.61	0.815	20.70	2	CONVENTIONAL
67516-208	8	0.700	17.78	0.990	25.15	0.915	23.24	2	CONVENTIONAL
67516-209	9	0.800	20.32	1.090	27.69	1.015	25.78	2	CONVENTIONAL
67516-210	10	0.900	22.86	1.190	30.23	1.115	28.32	2	CONVENTIONAL
67516-211	11	1.000	25.40	1.290	32.77	1.215	30.86	2	CONVENTIONAL
67516-212	12	1.100	27.94	1.390	35.31	1.315	33.40	2	CONVENTIONAL
67516-213	13	1.200	30.48	1.490	37.85	1.415	35.94	2	CONVENTIONAL
67516-214	14	1.300	33.02	1.590	40.39	1.515	38.48	2	CONVENTIONAL
67516-215	15	1.400	35.56	1.690	42.93	1.615	41.02	2	CONVENTIONAL
67516-216	16	1.500	38.10	1.790	45.47	1.715	43.56	2	CONVENTIONAL

FCI
FCIconnect.com

Copyright FCI

mat'l. code	surface ISO 1302	tolerance ISO 406 ISO 1101	projection	product family CLINCHER
ltr	ecn	no	dr	date
L				
tolerances unless otherwise specified		.XX±.01/.3	INCH/MM	title CLINCHER™ RECEPTACLE ASSEMBLY-LATCHING
angles	linear	.XXX±.005/.13	scale 1:3	dwg no 67516
0°±2'		.XXXX±.0020/.051	FCI	sheet 4 of 6 size A3
dr	M. FETROW	9/15/94		type Product Customer Drawing
engr	T. HANNA	9/15/94		
chr	T. BREWBAKER	9/15/94		
appd	T. HANNA	9/15/94		
sheet index	revision sheet			

form: A3 1 2 3 4 5 6

PDM: Rev:L STATUS Released Printed: Jul 22, 2010

PRODUCT NUMBER	NO. OF	DIM. A	DIM. A	DIM. B	DIM. B	DIM. C	DIM. C	PLATING	TERMINATION
NOTE 9	POS.	ENGLISH	METRIC	ENGLISH	METRIC	ENGLISH	METRIC	CODE	NOTE 8
67516-501		U N A	S S I G	N E D					
67516-502	2	0.100	2.54	0.390	9.91	0.315	8.00	1	INK
67516-503	3	0.200	5.08	0.490	12.45	0.415	10.54	1	INK
67516-504	4	0.300	7.62	0.590	14.99	0.515	13.08	1	INK
67516-505	5	0.400	10.16	0.690	17.53	0.615	15.62	1	INK
67516-506	6	0.500	12.70	0.790	20.07	0.715	18.16	1	INK
67516-507	7	0.600	15.24	0.890	22.61	0.815	20.70	1	INK
67516-508	8	0.700	17.78	0.990	25.15	0.915	23.24	1	INK
67516-509	9	0.800	20.32	1.090	27.69	1.015	25.78	1	INK
67516-510	10	0.900	22.86	1.190	30.23	1.115	28.32	1	INK
67516-511	11	1.000	25.40	1.290	32.77	1.215	30.86	1	INK
67516-512	12	1.100	27.94	1.390	35.31	1.315	33.40	1	INK
67516-513	13	1.200	30.48	1.490	37.85	1.415	35.94	1	INK
67516-514	14	1.300	33.02	1.590	40.39	1.515	38.48	1	INK
67516-515	15	1.400	35.56	1.690	42.93	1.615	41.02	1	INK
67516-516	16	1.500	38.10	1.790	45.47	1.715	43.56	1	INK

FCI
FCIconnect.com

Copyright FCI

mat'l. code	surface	tolerance	projection	product family
ISO 1302	ISO 406	ISO 1101	1st angle	CLINCHER
ltr	ecn	no	dr	date
L				
tolerances unless otherwise specified		.XX±.01/.3	INCH/MM	title
angles	linear	.XXX±.005/.13	scale 1:3	CLINCHER™ RECEPTACLE ASSEMBLY-LATCHING
0°±2'		.XXXX±.0020/.051	FCI	dwg no
dr	M. FETROW	9/15/94		67516
engr	T. HANNA	9/15/94		sheet 5 of 6
chr	T. BREWBAKER	9/15/94		size A3
appd	T. HANNA	9/15/94		type Product Customer Drawing
sheet index	revision sheet			

form: A3 1 2 3 4 5 6

PDM: Rev:L STATUS Released Printed: Jul 22, 2010

PRODUCT NUMBER	NO. OF	DIM. A	DIM. A	DIM. B	DIM. B	DIM. C	DIM. C	PLATING	TERMINATION
NOTE 9	POS.	ENGLISH	METRIC	ENGLISH	METRIC	ENGLISH	METRIC	CODE	NOTE 8
67516-701		U N A	S S I G	N E D					
67516-702	2	0.100	2.54	0.390	9.91	0.315	8.00	2	INK
67516-703	3	0.200	5.08	0.490	12.45	0.415	10.54	2	INK
67516-704	4	0.300	7.62	0.590	14.99	0.515	13.08	2	INK
67516-705	5	0.400	10.16	0.690	17.53	0.615	15.62	2	INK
67516-706	6	0.500	12.70	0.790	20.07	0.715	18.16	2	INK
67516-707	7	0.600	15.24	0.890	22.61	0.815	20.70	2	INK
67516-708	8	0.700	17.78	0.990	25.15	0.915	23.24	2	INK
67516-709	9	0.800	20.32	1.090	27.69	1.015	25.78	2	INK
67516-710	10	0.900	22.86	1.190	30.23	1.115	28.32	2	INK
67516-711	11	1.000	25.40	1.290	32.77	1.215	30.86	2	INK
67516-712	12	1.100	27.94	1.390	35.31	1.315	33.40	2	INK
67516-713	13	1.200	30.48	1.490	37.85	1.415	35.94	2	INK
67516-714	14	1.300	33.02	1.590	40.39	1.515	38.48	2	INK
67516-715	15	1.400	35.56	1.690	42.93	1.615	41.02	2	INK
67516-716	16	1.500	38.10	1.790	45.47	1.715	43.56	2	INK



Copyright FCI

mat'l. code	surface	tolerance	projection	product family
ISO 1302	ISO 406	ISO 1101	1st angle	CLINCHER
ltr	ecn	no	dr	date
L				
tolerances unless otherwise specified		.XX±.01/.3	INCH/MM	title
angles	linear	.XXX±.005/.13	scale 1:3	CLINCHER™ RECEPTACLE ASSEMBLY-LATCHING
0°±2°		.XXXX±.0020/.051	FCI	dwg no
dr	M. FETROW	9/15/94		67516
enrg	T. HANNA	9/15/94		sheet 6 of 6
chr	T. BREWBAKER	9/15/94		size
appd	T. HANNA	9/15/94		A3
sheet	revision			type
index	sheet			Product Customer Drawing