

CAT. NO. & DIMENSIONS

| REVISIONS |             |          |     |          |
|-----------|-------------|----------|-----|----------|
| REV       | DESCRIPTION | ECN      | BY  | DATE     |
| A         | Released    | J05-0079 | H.T | '05/2/18 |

| NO. OF CONTACTS (n) | CAT. NO.         |               | DIMENSIONS (NOTE1) |         |
|---------------------|------------------|---------------|--------------------|---------|
|                     | RIGHT ANGLE TYPE | STRAIGHT TYPE | A ± 0.3            | B ± 0.3 |
| 4                   | SLW4R-1C7LF      | SLW4S-1C7LF   | 10.2               | 5.2     |
| 5                   | SLW5R-1C7LF      | SLW5S-1C7LF   | 11.2               | 6.2     |
| 6                   | SLW6R-1C7LF      | SLW6S-1C7LF   | 12.2               | 7.2     |
| 7                   | SLW7R-1C7LF      | SLW7S-1C7LF   | 13.2               | 8.2     |
| 8                   | SLW8R-1C7LF      | SLW8S-1C7LF   | 14.2               | 9.2     |
| 9                   | SLW9R-1C7LF      | SLW9S-1C7LF   | 15.2               | 10.2    |
| 10                  | SLW10R-1C7LF     | SLW10S-1C7LF  | 16.2               | 11.2    |
| 11                  | SLW11R-1C7LF     | SLW11S-1C7LF  | 17.2               | 12.2    |
| 12                  | SLW12R-1C7LF     | SLW12S-1C7LF  | 18.2               | 13.2    |
| 13                  | SLW13R-1C7LF     | SLW13S-1C7LF  | 19.2               | 14.2    |
| 14                  | SLW14R-1C7LF     | SLW14S-1C7LF  | 20.2               | 15.2    |
| 15                  | SLW15R-1C7LF     | SLW15S-1C7LF  | 21.2               | 16.2    |
| 16                  | SLW16R-1C7LF     | SLW16S-1C7LF  | 22.2               | 17.2    |
| 17                  | SLW17R-1C7LF     | SLW17S-1C7LF  | 23.2               | 18.2    |
| 18                  | SLW18R-1C7LF     | SLW18S-1C7LF  | 24.2               | 19.2    |
| 19                  | SLW19R-1C7LF     | SLW19S-1C7LF  | 25.2               | 20.2    |
| 20                  | SLW20R-1C7LF     | SLW20S-1C7LF  | 26.2               | 21.2    |
| 21                  | SLW21R-1C7LF     | SLW21S-1C7LF  | 27.2               | 22.2    |
| 22                  | SLW22R-1C7LF     | SLW22S-1C7LF  | 28.2               | 23.2    |
| 23                  | SLW23R-1C7LF     | SLW23S-1C7LF  | 29.2               | 24.2    |
| 24                  | SLW24R-1C7LF     | SLW24S-1C7LF  | 30.2               | 25.2    |
| 25                  | SLW25R-1C7LF     | SLW25S-1C7LF  | 31.2               | 26.2    |
| 26                  | SLW26R-1C7LF     | SLW26S-1C7LF  | 32.2               | 27.2    |
| 27                  | SLW27R-1C7LF     | SLW27S-1C7LF  | 33.2               | 28.2    |
| 28                  | SLW28R-1C7LF     | SLW28S-1C7LF  | 34.2               | 29.2    |
| 29                  | SLW29R-1C7LF     | SLW29S-1C7LF  | 35.2               | 30.2    |
| 30                  | SLW30R-1C7LF     | SLW30S-1C7LF  | 36.2               | 31.2    |

CAT. NO. SLW (n) R - 1C7 LF

SERIES NAME \_\_\_\_\_

NO. OF CONTACTS \_\_\_\_\_

R : RIGHT ANGLE TYPE


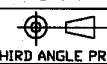
S : STRAIGHT TYPE

VARIATION \_\_\_\_\_

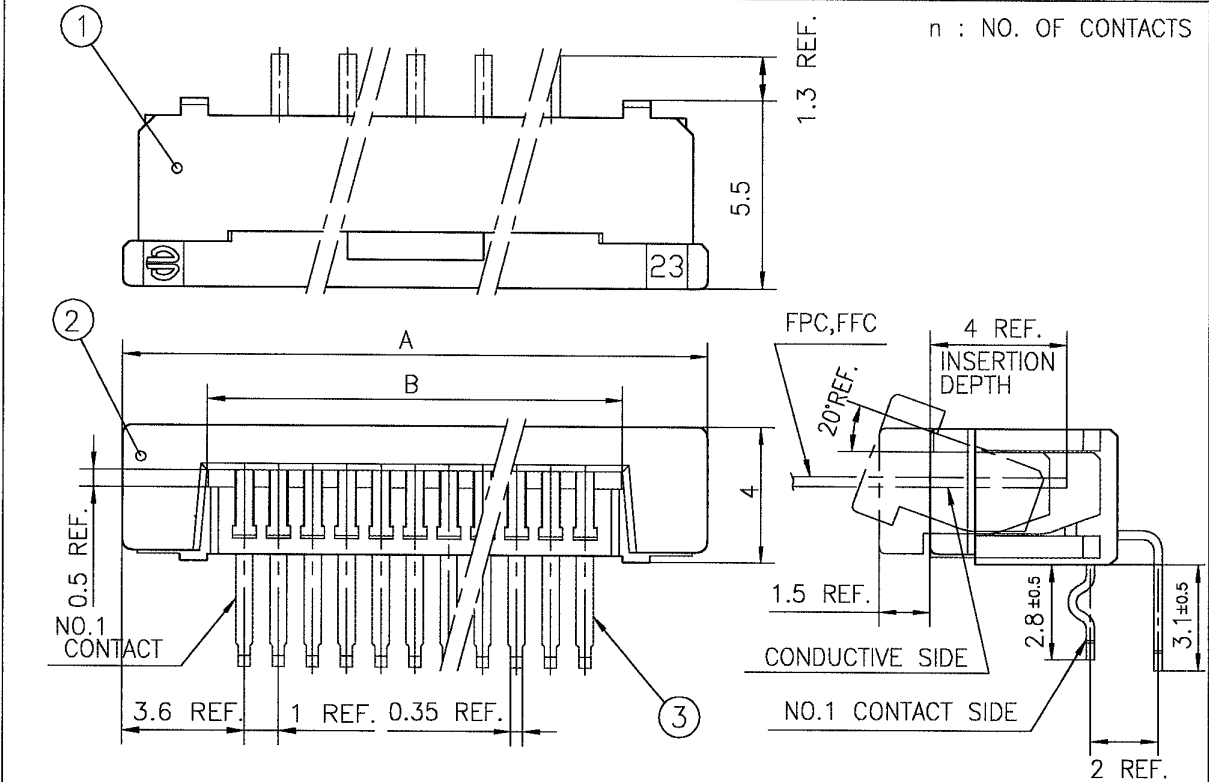
LEAD FREE \_\_\_\_\_

NOTE

1. SEE PART DRAWINGS FOR DIMENSIONS A,B.

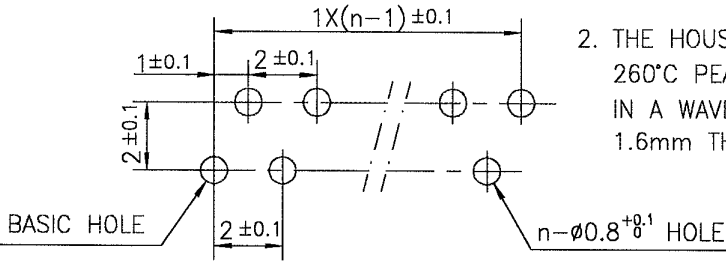
|                                       |        |   |  |                     |  |         |  |   |  |               |  |   |  |     |  |                |  |   |  |           |  |     |  |       |  |
|---------------------------------------|--------|---|--|---------------------|--|---------|--|---|--|---------------|--|---|--|-----|--|----------------|--|---|--|-----------|--|-----|--|-------|--|
| SHEET INDEX                           | ISSUE  | A   |  |                     |  |         |  |   |  |               |  |   |  |     |  |                |  |  |  |           |  |     |  |       |  |
|                                       | SH NO. | 1   |  |                     |  |         |  |   |  |               |  |   |  |     |  |                |  |   |  |           |  |     |  |       |  |
| TOLERANCES UNLESS OTHERWISE SPECIFIED |        | DR  |  | A. KOBAYASHI        |  | DATE    |  | 05/2/18   |  | CUSTOMER COPY |  | TITLE CAT NO. TABLE FOR<br>1mm SPACING CONNECTOR<br>(Cat. No. SLW__R/S-1C7LF) |  |     |  |                |  |   |  |           |  |     |  |       |  |
| LINEAR                                |        | ENGR  |  | <i>H. Kobayashi</i> |  | 2/18/05 |  |  |  |               |  |   |  |     |  |                |  |   |  |           |  |     |  |       |  |
| ANGLES                                |        | CHK   |  | <i>H. Kobayashi</i> |  | 2/18/05 |  | THIRD ANGLE PROJ  |  | UNIT          |  | MM  |  | ENH |  | PRODUCT FAMILY |  | 58JF  |  | CODE      |  | JP  |  |       |  |
| DO NOT SCALE PRINT                    |        | THIS INFORMATION IS CONFIDENTIAL AND IS DISCLOSED TO YOU ON CONDITION THAT NO FURTHER DISCLOSURE IS MADE BY YOU TO OTHER THAN FCI PERSONNEL WITHOUT WRITTEN AUTHORIZATION FROM FCI JAPAN K.K. |  |                     |  |         |  |   |  |               |  |   |  |     |  | SCALE          |  | SIZE  |  | DWG. NO.  |  | REV |  | SHEET |  |
| DF-140A REV A                         |        |   |  |                     |  |         |  |   |  |               |  |   |  |     |  | -              |  | A   |  | JSA 96300 |  | A   |  | OF    |  |

| REVISIONS |                       |          |     |         |
|-----------|-----------------------|----------|-----|---------|
| REV       | DESCRIPTION           | ECN      | BY  | DATE    |
| A         | Released              | J05-0079 | H.T | 05/2/18 |
| B         | Added heat resistance | J05-0734 | H.T | 0/28/05 |



| PT.NO. | PARTS NAME | MATERIAL                               | Q'TY | NOTE                                 |
|--------|------------|--|------|--------------------------------------|
| 1      | HOUSING    | NYLON RESIN GLASS REINFORCED (UL94V-0) | 1    | COLOR : BLACK                        |
| 2      | SLIDER     |  | 1    |                                      |
| 3      | CONTACT    | PHOSPHOR BRONZE                        | n    | PLATING : MATTE PURE TIN (LEAD FREE) |

RECOMMENDED PC BOARD  
 THICKNESS : 0.8~1.6  
 HOLE PATTERN (COMPONENT SIDE)



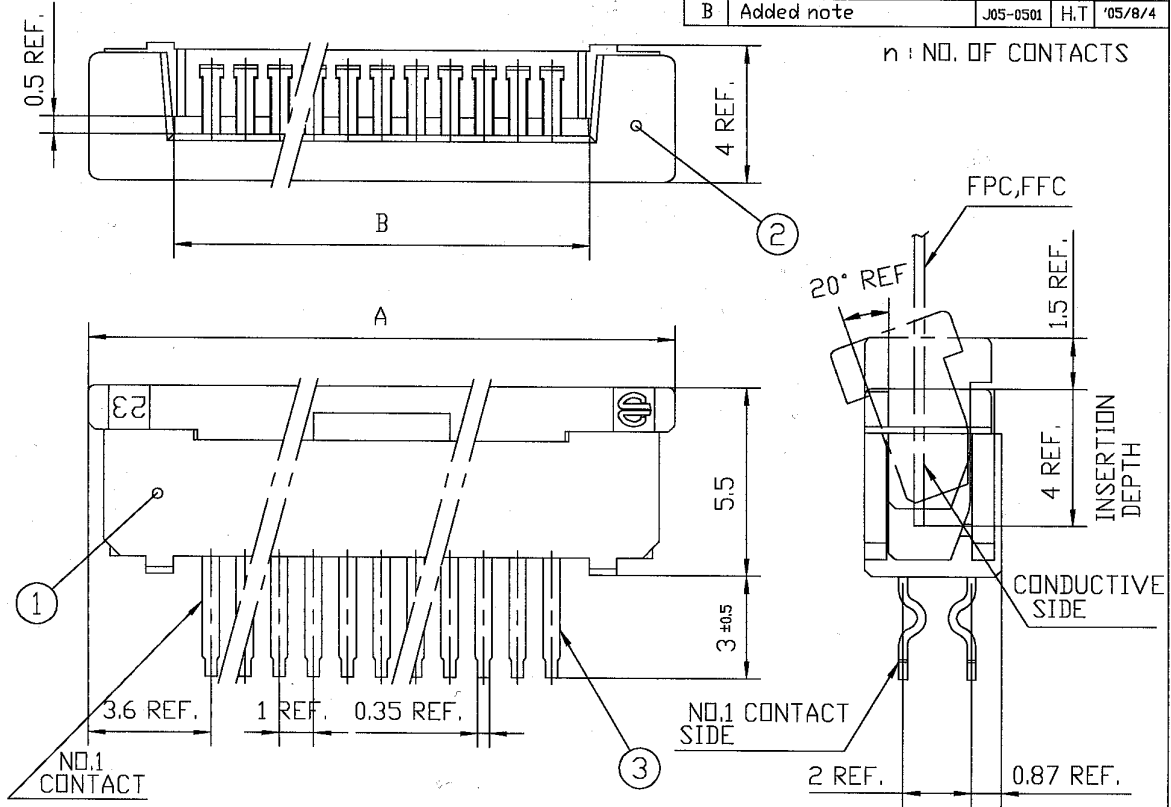
1. THIS PRODUCT MEETS EUROPEAN UNION DIRECTIVES AND OTHER COUNTRY REGULATIONS AS DESCRIBED IN GS-22-008
2. THE HOUSING WILL WITHSTAND EXPOSURE TO 260°C PEAK TEMPERATURE FOR 10 SECONDS IN A WAVE SOLDER APPLICATION WITH A 1.6mm THICK CIRCUIT BOARD.

|                                       |        |   |  |          |                  |                         |      |           |     |         |  |
|---------------------------------------|--------|---|--|----------|------------------|-------------------------|------|-----------|-----|---------|--|
| SHEET INDEX                           | ISSUE  | B   |  |          |                  |                         |      |           |     |         |  |
|                                       | SH NO. | 1   |  |          |                  |                         |      |           |     |         |  |
| TOLERANCES UNLESS OTHERWISE SPECIFIED |        | DR  |  | DATE     | CUSTOMER COPY    | TITLE                   |      |           |     |         |  |
| ±0.3                                  |        | ENGR  |  | 10/21/05 | ☐                | 1mm SPACING CONNECTOR   |      |           |     |         |  |
| LINEAR                                |        | CHK   |  | 10/21/05 | THIRD ANGLE PROJ | (Cat. No. SLW__R-1C7LF) |      |           |     |         |  |
| ANGLES                                |        | APPD  |  | 11/1/05  | UNIT             | PRODUCT FAMILY          |      | 58JF      |     | CODE JP |  |
| DO NOT SCALE PRINT                    |        | THIS INFORMATION IS CONFIDENTIAL AND IS DISCLOSED TO YOU ON CONDITION THAT NO FURTHER DISCLOSURE IS MADE BY YOU TO OTHER THAN FCI PERSONNEL WITHOUT WRITTEN AUTHORIZATION FROM FCI JAPAN K.K. |  |          |                  | SCALE                   | SIZE | DWG. NO.  | REV | SHEET   |  |
| DF-140A REV A                         |        |   |  |          |                  | -                       | A    | JSA 96302 | B   | 0F      |  |

SC-SLW03 JSA96300

TOLERANCES  
UNLESS OTHERWISE SPECIFIED: ± 0.3

| REVISIONS |             |          |     |          |
|-----------|-------------|----------|-----|----------|
| REV       | DESCRIPTION | ECN      | BY  | DATE     |
| A         | Released    | J05-0079 | H.T | '05/2/18 |
| B         | Added note  | J05-0501 | H.T | '05/8/4  |

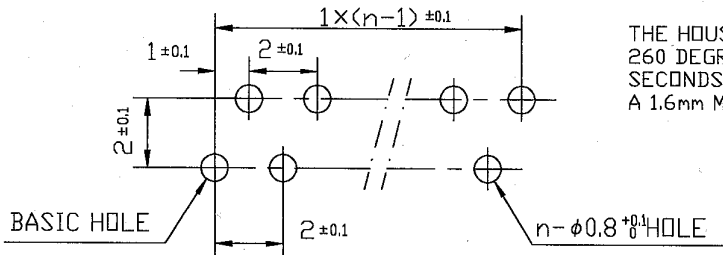


| PT.NO. | PARTS NAME | MATERIAL                                     | Q'TY | NOTE                                    |
|--------|------------|--|------|---|
| 1      | HOUSING    | NYLON RESIN GLASS<br>REINFORCED<br>(UL94V-0) | 1    | COLOR : BLACK                           |
| 2      | SLIDER     |  | 1    |   |
| 3      | CONTACT    | PHOSPHOR BRONZE                              | n    | PLATING : MATTE PURE TIN<br>(LEAD FREE) |

RECOMMENDED PC BOARD  
THICKNESS : 0.8~1.6  
HOLE PATTERN (COMPONENT SIDE)

THIS PRODUCT MEETS EUROPEAN UNION  
DIRECTIVES AND OTHER COUNTRY REGULATIONS  
AS DESCRIBED IN GS-22-008.

THE HOUSING WILL WITHSTAND EXPOSURE TO  
260 DEGREE C PEAK TEMPERATURE FOR 10  
SECONDS IN A WAVE SOLDER APPLICATION WITH  
A 1.6mm MINIMUM THICK CIRCUIT BOARD.



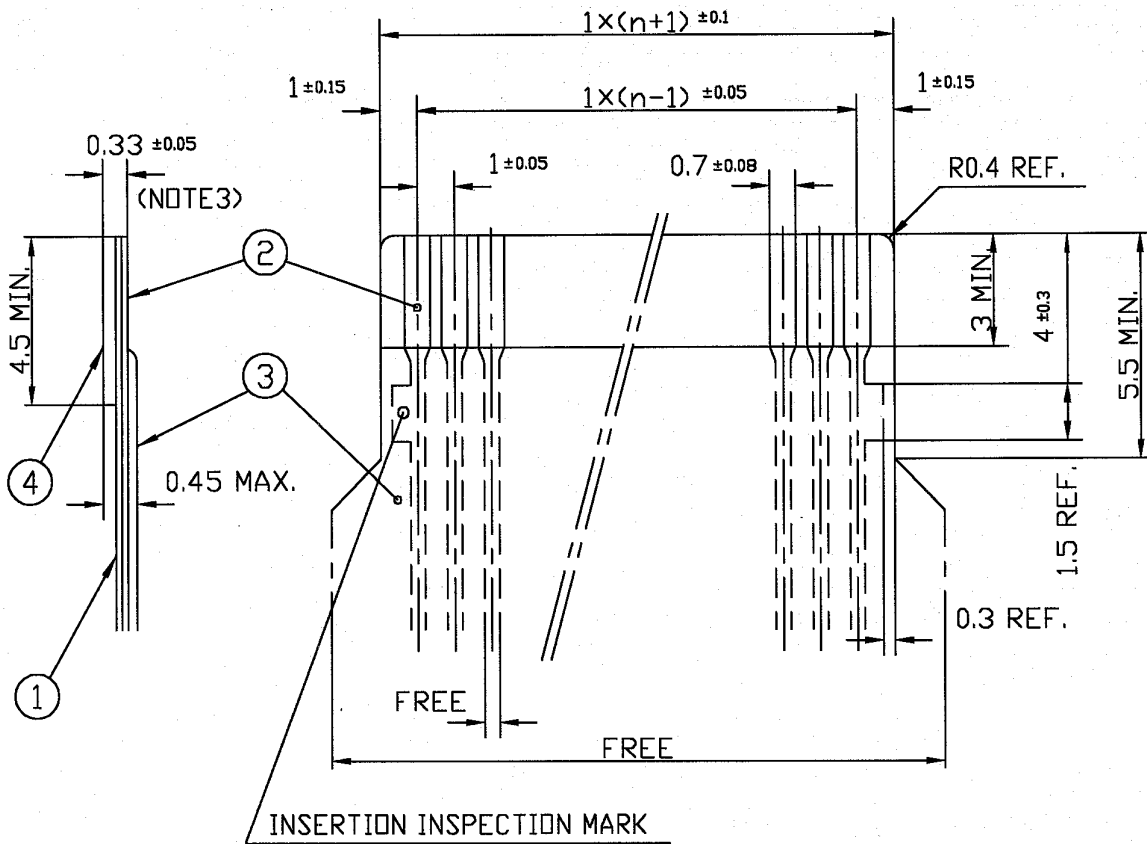
|                                       |                    |                    |   |      |        |               |       |                         |      |      |          |           |     |   |       |    |
|---------------------------------------|--------------------|--------------------|---|------|--------|---------------|-------|-------------------------|------|------|----------|-----------|-----|---|-------|----|
| SHEET INDEX                           | ISSUE              | B                  |   |      |        |               |       |                         |      |      |          |           |     |   |       |    |
|                                       | SH NO.             | 1                  |   |      |        |               |       |                         |      |      |          |           |     |   |       |    |
| TOLERANCES UNLESS OTHERWISE SPECIFIED | DR                 | <i>[Signature]</i> |   | DATE | 8/4/05 | CUSTOMER COPY |       | TITLE                   |      |      |          |           |     |   |       |    |
|                                       | ENGR               | <i>[Signature]</i> |   | DATE | 8/4/05 |               |       | 1mm SPACING CONNECTOR   |      |      |          |           |     |   |       |    |
|                                       | CHK                | <i>[Signature]</i> |   | DATE | 8/4/05 |               |       | (Cat. No. SLW__S-1C7LF) |      |      |          |           |     |   |       |    |
| LINEAR                                | APPR               | <i>[Signature]</i> |   | DATE | 8/4/05 | UNIT          | MM    | PRODUCT FAMILY          |      | 58JF | CODE JP  |           |     |   |       |    |
| ANGLES                                | DO NOT SCALE PRINT |                    | THIS INFORMATION IS CONFIDENTIAL AND IS DISCLOSED TO YOU ON CONDITION THAT NO FURTHER DISCLOSURE IS MADE BY YOU TO OTHER THAN FCI PERSONNEL WITHOUT WRITTEN AUTHORIZATION FROM FCI JAPAN K.K. |      |        |               | SCALE | -                       | SIZE | A    | DWG. NO. | JSA 96301 | REV | B | SHEET | OF |

SC-SLW03 JSA96300

| REVISIONS |              |          |     |         |
|-----------|--------------|----------|-----|---------|
| REV       | DESCRIPTION  | ECN      | BY  | DATE    |
| AA        | Changed form | J05-0079 | H.T | 2/18/05 |

RECOMMENDED CABLE (FPC)

n : NO. OF CONDUCTOR



| PT. NO. | PARTS NAME      | MATERIAL                                | THICKNESS (μm) |
|---------|-----------------|---|----------------|
| 1       | BASE FILM       | POLYIMIDE OR POLYESTER OR EQUAL         | 25             |
| 2       | CONDUCTOR       | COPPER FOIL (PLATING : SOLDER 1μm MIN.) | 35             |
| 3       | OVERLAY         | POLYIMIDE OR POLYESTER OR EQUAL         | —              |
| 4       | SUPPORTING TAPE | POLYESTER OR POLYIMIDE OR EQUAL         | 188            |

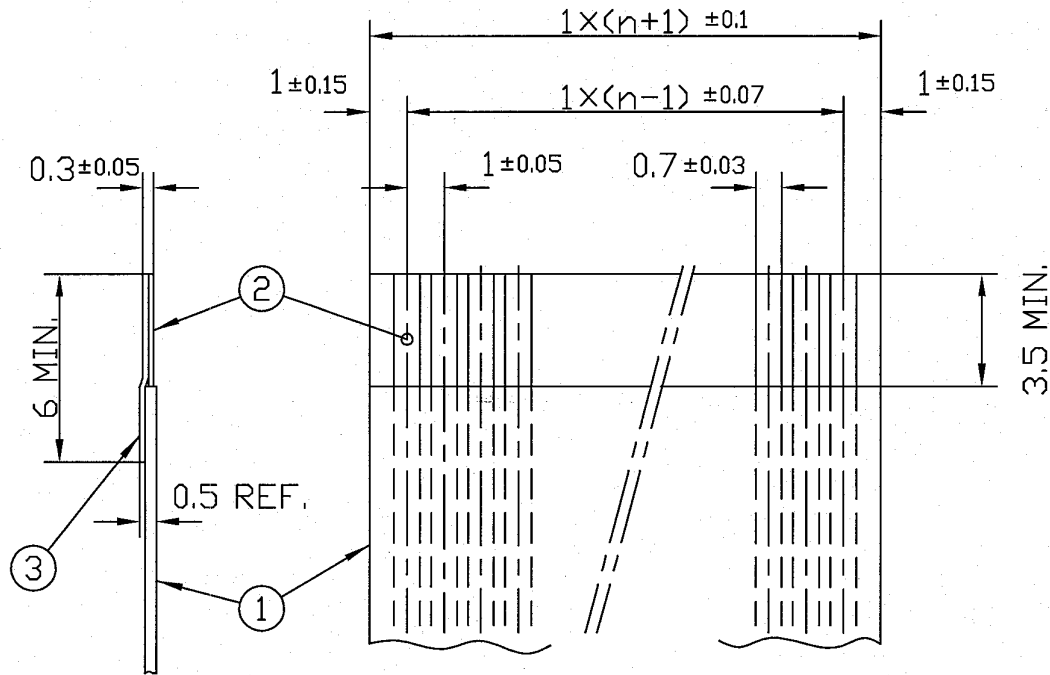
- NOTES
1. NO BURR AT EACH PORTION.
  2. NO PEELING IN COMMON USE.
  3. TOTAL THICKNESS LIMIT OF EACH MATERIAL (INCLUDING ADHESIVE AGENT) IS SPECIFIED.

|                                       |        |   |                    |                 |                               |  |           |  |                       |  |             |
|---------------------------------------|--------|---|--------------------|-----------------|-------------------------------|--|-----------|--|-----------------------|--|-------------|
| SHEET INDEX                           | ISSUE  | AA  |                    |                 |                               |  |           |  |                       |  |             |
|                                       | SH NO. | 1   |                    |                 |                               |  |           |  |                       |  |             |
| TOLERANCES UNLESS OTHERWISE SPECIFIED |        | DR<br>A. KOBAYASHI  |                    | DATE<br>05/2/18 | CUSTOMER COPY                 | TITLE<br>RECOMMENDED CABLE<br>(Cat. No. SLW__R/S-__) |           |  |                       |  |             |
| LINEAR                                |        | ENGR  | <i>[Signature]</i> | 2/18/05         | THIRD ANGLE PROJ.             | PRODUCT FAMILY<br>58JF                               |           |  |                       |  | CODE<br>JP  |
| ANGLES                                |        | CHK   | <i>[Signature]</i> | 2/18/05         | UNIT<br>MM<br><del>INCH</del> | SCALE<br>-   |           |  |                       |  | REV<br>AA   |
| DO NOT SCALE PRINT                    |        | THIS INFORMATION IS CONFIDENTIAL AND IS DISCLOSED TO YOU ON CONDITION THAT NO FURTHER DISCLOSURE IS MADE BY YOU TO OTHER THAN FCI PERSONNEL WITHOUT WRITTEN AUTHORIZATION FROM FCI JAPAN K.K. |                    |                 |                               |  | SIZE<br>A |  | DWG. NO.<br>JSA 91648 |  | SHEET<br>OF |

| REVISIONS |               |          |     |         |
|-----------|---------------|----------|-----|---------|
| REV       | DESCRIPTION   | ECN      | BY  | DATE    |
| AA        | Changed form. | J05-0079 | H.T | 2/18/05 |

RECOMMENDED CABLE (FFC)

n : NO. OF CONDUCTOR



| PT. NO. | PARTS NAME      | MATERIAL                           | NOTE                                |
|---------|-----------------|------------------------------------|-------------------------------------|
| 1       | INSULATOR       | FLAME RESISTING POLYESTER OR EQUAL | _____                               |
| 2       | CONDUCTOR       | COPPER FOIL                        | PLATING : TIN OR SOLDER<br>1μm MIN. |
| 3       | SUPPORTING TAPE | FLAME RESISTING POLYESTER OR EQUAL | _____                               |

- NOTES
1. NO BURR AT EACH PORTION.
  2. NO PEELING IN COMMON USE.

|                                       |        |   |                    |      |                    |                      |                        |           |                |      |         |
|---------------------------------------|--------|---|--------------------|------|--------------------|----------------------|------------------------|-----------|----------------|------|---------|
| SHEET INDEX                           | ISSUE  | AA  |                    |      |                    |                      |                        |           |                |      |         |
|                                       | SH NO. | 1   |                    |      |                    |                      |                        |           |                |      |         |
| TOLERANCES UNLESS OTHERWISE SPECIFIED |        | DR  | A. KOBAYASHI       | DATE | 2/18/05            | CUSTOMER COPY        | TITLE                  |           |                |      |         |
| LINEAR                                | ±0.3   | ENGR  | <i>[Signature]</i> | CHK  | <i>[Signature]</i> | <br>THIRD ANGLE PROJ | RECOMMENDED CABLE      |           |                |      |         |
|                                       |        | APPD  | <i>[Signature]</i> |      |                    |                      | (Cat. No. SLW__R/S-__) |           |                |      |         |
|                                       | ANGLES |   |                    |      |                    |                      | UNIT                   | MM        | PRODUCT FAMILY | 58JF | CODE JP |
| DO NOT SCALE PRINT                    |        | THIS INFORMATION IS CONFIDENTIAL AND IS DISCLOSED TO YOU ON CONDITION THAT NO FURTHER DISCLOSURE IS MADE BY YOU TO OTHER THAN FCI PERSONNEL WITHOUT WRITTEN AUTHORIZATION FROM FCI JAPAN K.K. |                    |      |                    |                      | SCALE                  | SIZE      | DWG. NO.       | REV  | SHEET   |
| DF-140A REV A                         |        |   |                    |      |                    | -                    | A                      | JSA 91649 | AA             | 0F   |         |

CAT. NO. & DIMENSIONS

| REVISIONS |             |          |     |          |
|-----------|-------------|----------|-----|----------|
| REV       | DESCRIPTION | ECN      | BY  | DATE     |
| A         | Released    | J05-0079 | H.T | '05/2/15 |

| NO. OF CONTACTS (n) | CAT. NO.         |                | DIMENSIONS (NOTE1) |         |
|---------------------|------------------|----------------|--------------------|---------|
|                     | RIGHT ANGLE TYPE | STRAIGHT TYPE  | A ± 0.3            | B ± 0.3 |
| 4                   | SLW 4 R-5C7LF    | SLW 4 S-5C7LF  | 10.2               | 5.2     |
| 5                   | SLW 5 R-5C7LF    | SLW 5 S-5C7LF  | 11.2               | 6.2     |
| 6                   | SLW 6 R-5C7LF    | SLW 6 S-5C7LF  | 12.2               | 7.2     |
| 7                   | SLW 7 R-5C7LF    | SLW 7 S-5C7LF  | 13.2               | 8.2     |
| 8                   | SLW 8 R-5C7LF    | SLW 8 S-5C7LF  | 14.2               | 9.2     |
| 9                   | SLW 9 R-5C7LF    | SLW 9 S-5C7LF  | 15.2               | 10.2    |
| 10                  | SLW 10 R-5C7LF   | SLW 10 S-5C7LF | 16.2               | 11.2    |
| 11                  | SLW 11 R-5C7LF   | SLW 11 S-5C7LF | 17.2               | 12.2    |
| 12                  | SLW 12 R-5C7LF   | SLW 12 S-5C7LF | 18.2               | 13.2    |
| 13                  | SLW 13 R-5C7LF   | SLW 13 S-5C7LF | 19.2               | 14.2    |
| 14                  | SLW 14 R-5C7LF   | SLW 14 S-5C7LF | 20.2               | 15.2    |
| 15                  | SLW 15 R-5C7LF   | SLW 15 S-5C7LF | 21.2               | 16.2    |
| 16                  | SLW 16 R-5C7LF   | SLW 16 S-5C7LF | 22.2               | 17.2    |
| 17                  | SLW 17 R-5C7LF   | SLW 17 S-5C7LF | 23.2               | 18.2    |
| 18                  | SLW 18 R-5C7LF   | SLW 18 S-5C7LF | 24.2               | 19.2    |
| 19                  | SLW 19 R-5C7LF   | SLW 19 S-5C7LF | 25.2               | 20.2    |
| 20                  | SLW 20 R-5C7LF   | SLW 20 S-5C7LF | 26.2               | 21.2    |
| 21                  | SLW 21 R-5C7LF   | SLW 21 S-5C7LF | 27.2               | 22.2    |
| 22                  | SLW 22 R-5C7LF   | SLW 22 S-5C7LF | 28.2               | 23.2    |
| 23                  | SLW 23 R-5C7LF   | SLW 23 S-5C7LF | 29.2               | 24.2    |
| 24                  | SLW 24 R-5C7LF   | SLW 24 S-5C7LF | 30.2               | 25.2    |
| 25                  | SLW 25 R-5C7LF   | SLW 25 S-5C7LF | 31.2               | 26.2    |
| 26                  | SLW 26 R-5C7LF   | SLW 26 S-5C7LF | 32.2               | 27.2    |
| 27                  | SLW 27 R-5C7LF   | SLW 27 S-5C7LF | 33.2               | 28.2    |
| 28                  | SLW 28 R-5C7LF   | SLW 28 S-5C7LF | 34.2               | 29.2    |
| 29                  | SLW 29 R-5C7LF   | SLW 29 S-5C7LF | 35.2               | 30.2    |
| 30                  | SLW 30 R-5C7LF   | SLW 30 S-5C7LF | 36.2               | 31.2    |

CAT. NO. SLW (n) R - 5C7 LF

SERIES NAME \_\_\_\_\_

NO. OF CONTACTS \_\_\_\_\_

R : RIGHT ANGLE TYPE


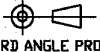
S : STRAIGHT TYPE

VARIATION \_\_\_\_\_

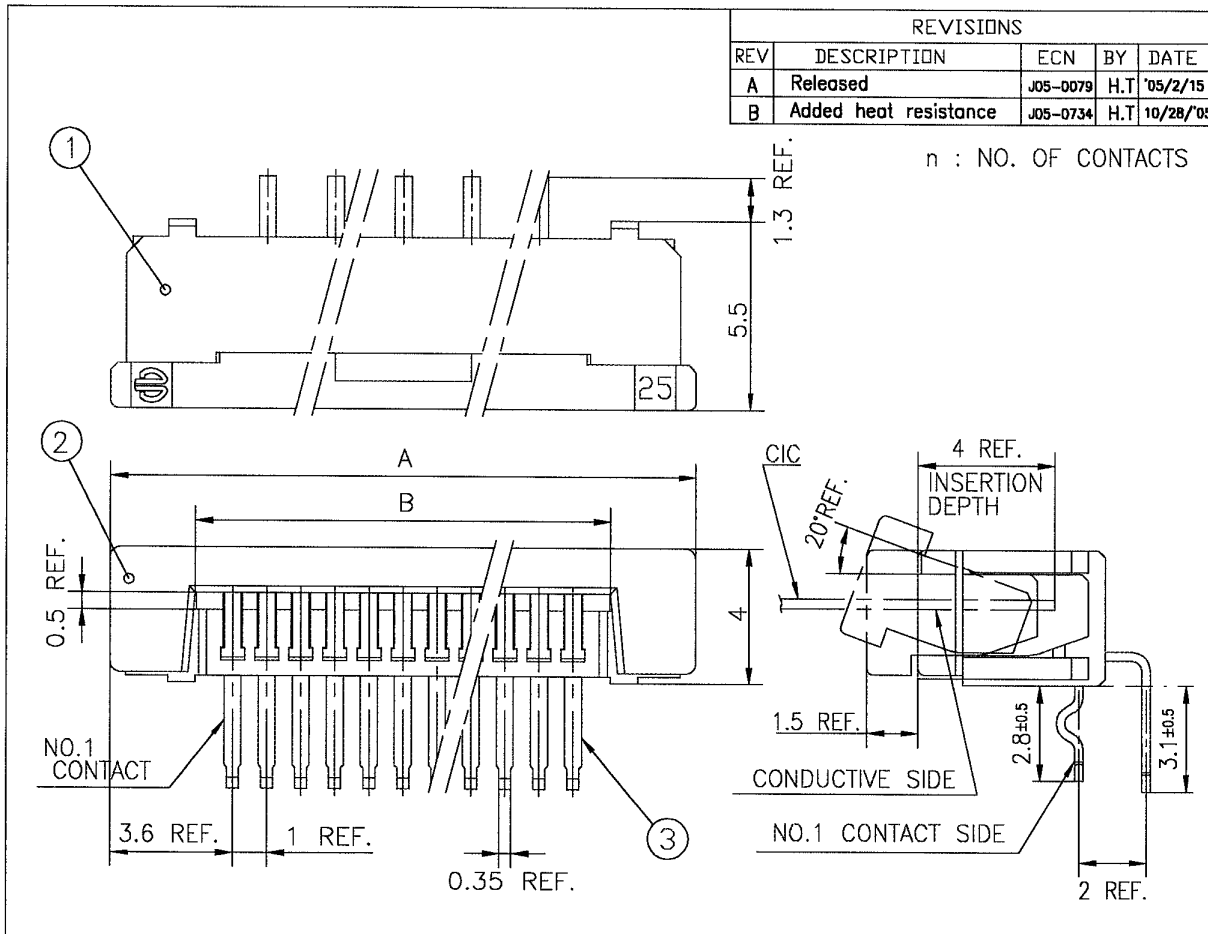
LEAD FREE \_\_\_\_\_

NOTE

1. SEE PART DRAWINGS FOR DIMENSIONS A,B.

|                                       |        |   |                    |      |         |   |  |   |  |           |   |   |    |
|---------------------------------------|--------|---|--------------------|------|---------|---|--|---|--|-----------|---|---|----|
| SHEET INDEX                           | ISSUE  | A   |                    |      |         |   |  |   |  |           |  |   |    |
|                                       | SH NO. | 1   |                    |      |         |   |  |   |  |           |   |   |    |
| TOLERANCES UNLESS OTHERWISE SPECIFIED |        | DR  | A. KOBAYASHI       | DATE | 05/2/18 | CUSTOMER COPY   |  | TITLE CAT NO. TABLE FOR 1mm SPACING CONNECTOR (Cat. No. SLW__R/S-5C7LF) |  |           |   |   |    |
| LINEAR                                |        | ENGR  | <i>[Signature]</i> |      |         |  |  | PRODUCT FAMILY 58JF   |  |           |   |   |    |
|                                       |        | CHK   | <i>[Signature]</i> |      |         | THIRD ANGLE PROJ  |  | CODE JP   |  |           |   |   |    |
| ANGLES                                |        | APPD  | <i>[Signature]</i> |      |         | UNIT MM   |  | SCALE SIZE DWG. NO. REV SHEET   |  |           |   |   |    |
| DD NOT SCALE PRINT                    |        | THIS INFORMATION IS CONFIDENTIAL AND IS DISCLOSED TO YOU ON CONDITION THAT NO FURTHER DISCLOSURE IS MADE BY YOU TO OTHER THAN FCI PERSONNEL WITHOUT WRITTEN AUTHORIZATION FROM FCI JAPAN K.K. |                    |      |         |   |  | - A   |  | JSA 96303 |   | A | OF |

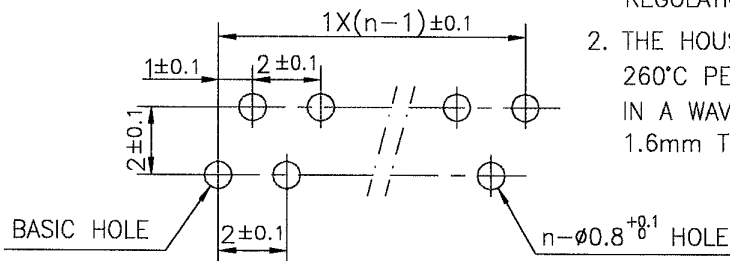
| REVISIONS |                       |          |     |          |
|-----------|-----------------------|----------|-----|----------|
| REV       | DESCRIPTION           | ECN      | BY  | DATE     |
| A         | Released              | J05-0079 | H.T | 05/2/15  |
| B         | Added heat resistance | J05-0734 | H.T | 10/28/05 |



| PT.NO. | PARTS NAME | MATERIAL                               | Q'TY | NOTE                                 |
|--------|------------|--|------|--------------------------------------|
| 1      | HOUSING    | NYLON RESIN GLASS REINFORCED (UL94V-0) | 1    | COLOR : BLACK                        |
| 2      | SLIDER     |  | 1    | COLOR : WHITE                        |
| 3      | CONTACT    | PHOSPHOR BRONZE                        | n    | PLATING : MATTE PURE TIN (LEAD FREE) |

RECOMMENDED PC BOARD  
 THICKNESS : 0.8~1.6  
 HOLE PATTERN (COMPONENT SIDE)

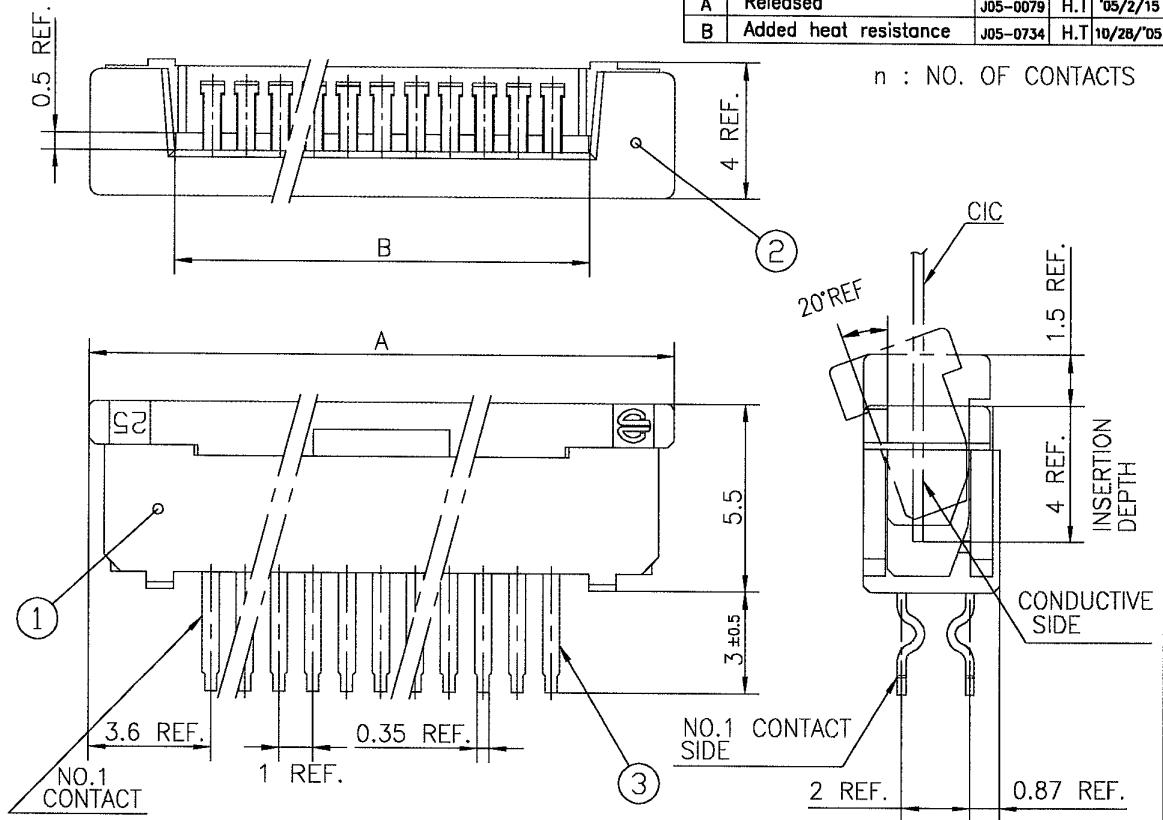
1. THIS PRODUCT MEETS EUROPEAN UNION DIRECTIVES AND OTHER COUNTRY REGULATIONS AS DESCRIBED IN GS-22-008
2. THE HOUSING WILL WITHSTAND EXPOSURE TO 260°C PEAK TEMPERATURE FOR 10 SECONDS IN A WAVE SOLDER APPLICATION WITH A 1.6mm THICK CIRCUIT BOARD.



|                    |                                       |   |   |  |      |  |          |      |                  |       |                |          |          |       |  |
|--------------------|---------------------------------------|---|---|--|------|--|----------|------|------------------|-------|----------------|----------|----------|-------|--|
| SHEET INDEX        | ISSUE                                 | B |   |  |      |  | DR       | DATE | CUSTOMER COPY    | TITLE | PRODUCT FAMILY | CODE JP  |          |       |  |
|                    | SH NO.                                | 1 |   |  |      |  |          |      |                  |       |                |          | 10/23/05 |       | 1mm SPACING CONNECTOR (Cat. No. SLW_R-5C7LF) |
| LINEAR             | TOLERANCES UNLESS OTHERWISE SPECIFIED |   | ±0.3  |  | ENGR |  | 10/21/05 |      | THIRD ANGLE PROJ | SCALE | SIZE           | DWG. NO. | REV      | SHEET |  |
|                    | ANGLES                                |   |   |  | CHK  |  | 10/21/05 |      |                  |       |                |          |          |       | UNIT   |
| DO NOT SCALE PRINT |                                       |   | THIS INFORMATION IS CONFIDENTIAL AND IS DISCLOSED TO YOU ON CONDITION THAT NO FURTHER DISCLOSURE IS MADE BY YOU TO OTHER THAN FCI PERSONNEL WITHOUT WRITTEN AUTHORIZATION FROM FCI JAPAN K.K. |  |      |  |          |      | UNIT             |       | MM             |          |          |       |  |
| DF-140A REV A      |                                       |   | SC-SLW04 JSA96303   |  |      |  |          |      | UNIT             |       | INCH           |          |          |       |  |



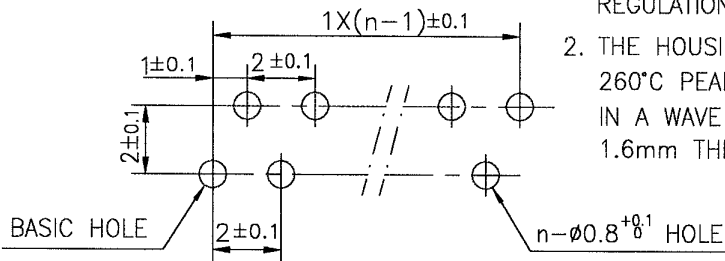
| REVISIONS |                       |          |     |           |
|-----------|-----------------------|----------|-----|-----------|
| REV       | DESCRIPTION           | ECN      | BY  | DATE      |
| A         | Released              | J05-0079 | H.T | '05/2/15  |
| B         | Added heat resistance | J05-0734 | H.T | 10/28/'05 |



| PT.NO. | PARTS NAME | MATERIAL                                     | Q'TY | NOTE                                    |
|--------|------------|--|------|---|
| 1      | HOUSING    | NYLON RESIN GLASS<br>REINFORCED<br>(UL94V-0) | 1    | COLOR : BLACK                           |
| 2      | SLIDER     |  | 1    | COLOR : WHITE                           |
| 3      | CONTACT    | PHOSPHOR BRONZE                              | n    | PLATING : MATTE PURE TIN<br>(LEAD FREE) |

**RECOMMENDED PC BOARD**  
 THICKNESS : 0.8~1.6  
 HOLE PATTERN (COMPONENT SIDE)

1. THIS PRODUCT MEETS EUROPEAN UNION DIRECTIVES AND OTHER COUNTRY REGULATIONS AS DESCRIBED IN GS-22-008
2. THE HOUSING WILL WITHSTAND EXPOSURE TO 260°C PEAK TEMPERATURE FOR 10 SECONDS IN A WAVE SOLDER APPLICATION WITH A 1.6mm THICK CIRCUIT BOARD.



|                                       |        |   |     |             |      |          |               |  |          |       |         |          |           |      |   |       |    |
|---------------------------------------|--------|---|-----|-------------|------|----------|---------------|--|----------|-------|---------|----------|-----------|------|---|-------|----|
| SHEET INDEX                           | ISSUE  | B   |     |             |      |          | TITLE         | 1mm SPACING CONNECTOR<br>(Cat. No. SLW__S-5C7LF) |          |       |         |          |           |      |   |       |    |
|                                       | SH NO. | 1   |     |             |      |          |               | PRODUCT FAMILY                                   | 58JF     |       | CODE    | JP       |           |      |   |       |    |
| TOLERANCES UNLESS OTHERWISE SPECIFIED | ± 0.3  |   | DR  | M. Motomura | DATE | 1-12-05  | CUSTOMER COPY |  |          |       |         |          |           |      |   |       |    |
|                                       | LINEAR |   |     | ENGR        |      |          |               | UNIT   |          |       |         |          | MM        | INCH |   |       |    |
| ANGLES                                |        |   | CHK |             |      | 10/31/05 | APPD          |  | S. Okada |       | 11/1/05 |          |           |      |   |       |    |
| DO NOT SCALE PRINT                    |        | THIS INFORMATION IS CONFIDENTIAL AND IS DISCLOSED TO YOU ON CONDITION THAT NO FURTHER DISCLOSURE IS MADE BY YOU TO OTHER THAN FCI PERSONNEL WITHOUT WRITTEN AUTHORIZATION FROM FCI JAPAN K.K. |     |             |      |          |               |  |          | SCALE | A       | DWG. NO. | JSA 96304 | REV  | B | SHEET | DF |
| DF-140A REV A                         |        | SC-SLW04  |     | JSA96303    |      |          |               |  |          |       |         |          |           |      |   |       |    |



