



Configuration of Customer Documents List

P/N	Documents	No.	Title
HLEM_R/S-1	Specification	SC-HLEM 01	
	Dwg.	JSA93270	1.25mm Spacing Connector for FPC/FFC (HLEM_R/S-)
		JSA93271	1.25mm Spacing Connector for FPC/FFC (HLEM_S-1)
	Cable	JSA28789	Recommended cable and P.C. board (HLEM_R/S-)
	Manual	BJM-HLEM101	
HLEM_R/S-2	Specification	SC-HLEM 01	
	Dwg.	JSC29055	1.25mm Spacing Connector for FPC/FFC (HLEM_R-2)
		JSC29054	1.25mm Spacing Connector for FPC/FFC (HLEM_S-2)
	Cable	JSA28789	Recommended cable and P.C. board (HLEM_R/S-)
	Manual	BJM-HLEM101	
HLEM_R/S-1RLF	Specification	SC-HLEM 01	
	Dwg.	JSA94071	1.25mm Spacing Connector for FPC/FFC (HLEM_R-1RLF)
		JSA94072	1.25mm Spacing Connector for FPC/FFC (HLEM_S-1RLF)
	Cable	JSA28789	Recommended cable and P.C. board (HLEM_R/S-)
	Manual	BJM-HLEM101	
HLEM_R/S-1RFLF	Specification	SC-HLEM 01	
	Dwg.	JSA94073	1.25mm Spacing Connector for FPC/FFC (HLEM_R-1RFLF)
		JSA94074	1.25mm Spacing Connector for FPC/FFC (HLEM_S-1RFLF)
	Cable	JSA28789	Recommended cable and P.C. board (HLEM_R/S-)
	Manual	BJM-HLEM101	
HLEM_R/S-2RLF	Specification	SC-HLEM 01	
	Dwg.	JSA96132	1.25mm Spacing Connector for FPC/FFC (HLEM_R-2RLF)
		JSA96133	1.25mm Spacing Connector for FPC/FFC (HLEM_S-2RLF)
	Cable	JSA28789	Recommended cable and P.C. board (HLEM_R/S-)
	Manual	BJM-HLEM101	
HLEM_R/S-2RFLF	Specification	SC-HLEM 01	
	Dwg.	JSA96134	1.25mm Spacing Connector for FPC/FFC (HLEM_R-2RFLF)
		JSA96135	1.25mm Spacing Connector for FPC/FFC (HLEM_S-2RFLF)
	Cable	JSA28789	Recommended cable and P.C. board (HLEM_R/S-)
	Manual	BJM-HLEM101	

(See Note ② ③)

(See Note ② ③)

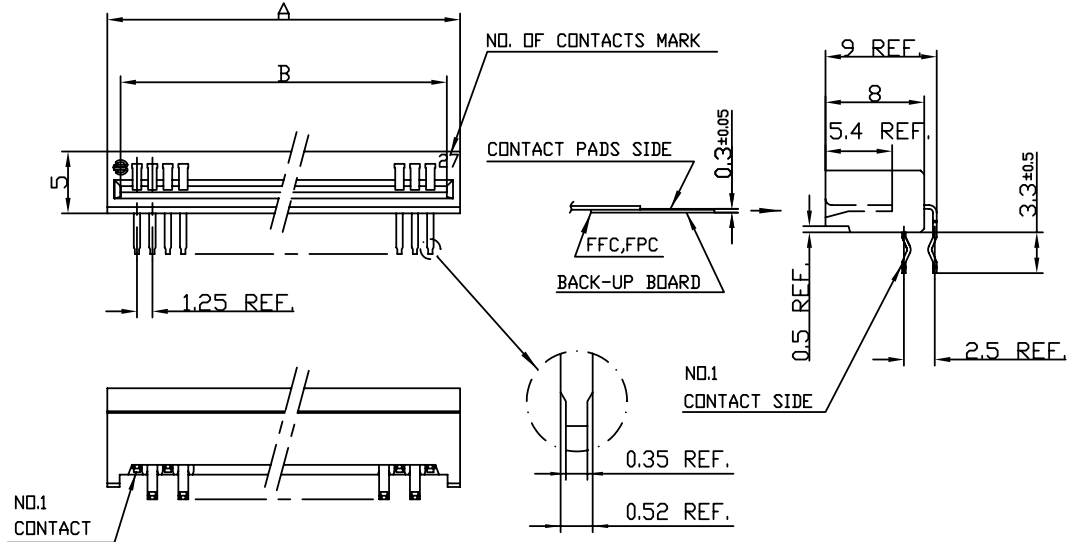
(See Note ② ③)

(See Note ② ③)

- NOTES
- THE HOUSING WILL WITHSTAND EXPOSURE TO 260 DEGREE PEAK TEMPERATURE FOR 10 SECONDS IN A WAVE SOLDER APPLICATION WITH A 1.57MM MINIMUM THICK CIRCUIT BOARD.
 - THIS PRODUCT MEETS EUROPEAN UNION DIRECTIVES AND OTHER COUNTRY REGULATIONS AS DESCRIBED IN GS-22-008.
 - PART NUMBERS ENDING IN "LF" MEANS FOR NOTE ② LEAD FREE IDENTIFICATION.
HLEMxxR/S-1/2R(F)LF IS EQUIVALENT TO PREVIOUS P/N HLEMxxR/S-1/2R(F).

mat'l. code		surface ASME Y14.5		tolerance ASME Y14.5		projection		product family 58KF	
ltr	ecr no	dr	date	tolerances unless otherwise specified		mm		title	
A	J04-0253	H.T	2004-08-03	angles	0.3	mm		1.25mm Spacing Connector	
B	J05-0014	H.T	2005-01-13		00:10			(Customer documents list)	
C	S05-0145	D.T	2005-06-15	0±2'	000:050	scale -		dwg no	
D	S05-0290	D.T	2005-10-14	dr	T.ono	2004-08-03	sheet 1 of 1		size
E	S06-0252	P.C	2006-07-28	eng	H.Takakura	2004-08-03	A4		
		chr	Patrick Chua	2006-07-28		FCI		JSA96023	
		appd	Joey Ng	2006-07-28				type Product Customer Drawing	
sheet index	revision sheet	E	1						

TOLERANCES
UNLESS OTHERWISE SPECIFIED : ±0.2



MATERIAL : INSULATOR : PBT RESIN GLASS REINFORCED (UL94V-0)
COLOR : BLACK
CONTACT : PHOSPHOR BRONZE (TIN PLATED ; THICKNESS: 1 micron)

NO. OF CONTACTS	(See Note 3) CAT. NO.	DIMENSIONS		21	HLEM21R-1RLF	29.80	27.66
		A ±0.3	B ±0.1				
3	HLEM 3R-1RLF	7.30	5.16	22	HLEM22R-1RLF	31.05	28.91
4	HLEM 4R-1RLF	8.55	6.41	23	HLEM23R-1RLF	32.30	30.16
5	HLEM 5R-1RLF	9.80	7.66	24	HLEM24R-1RLF	33.55	31.41
6	HLEM 6R-1RLF	11.05	8.91	25	HLEM25R-1RLF	34.80	32.66
7	HLEM 7R-1RLF	12.30	10.16	26	HLEM26R-1RLF	36.05	33.91
8	HLEM 8R-1RLF	13.55	11.41	27	HLEM27R-1RLF	37.30	35.16
9	HLEM 9R-1RLF	14.80	12.66	28	HLEM28R-1RLF	38.55	36.41
10	HLEM10R-1RLF	16.05	13.91	29	HLEM29R-1RLF	39.80	37.66
11	HLEM11R-1RLF	17.30	15.16	30	HLEM30R-1RLF	41.05	38.91
12	HLEM12R-1RLF	18.55	16.41	31	HLEM31R-1RLF	42.30	40.16
13	HLEM13R-1RLF	19.80	17.66	32	HLEM32R-1RLF	43.55	41.41
14	HLEM14R-1RLF	21.05	18.91	33	HLEM33R-1RLF	44.80	42.66
15	HLEM15R-1RLF	22.30	20.16	34	HLEM34R-1RLF	46.05	43.91
16	HLEM16R-1RLF	23.55	21.41	35	HLEM35R-1RLF	47.30	45.16
17	HLEM17R-1RLF	24.80	22.66	36	HLEM36R-1RLF	48.55	46.41
18	HLEM18R-1RLF	26.05	23.91	37	HLEM37R-1RLF	49.80	47.66
19	HLEM19R-1RLF	27.30	25.16	38	HLEM38R-1RLF	51.05	48.91
20	HLEM20R-1RLF	28.55	26.41	39	HLEM39R-1RLF	52.30	50.16
				40	HLEM40R-1RLF	53.55	51.41

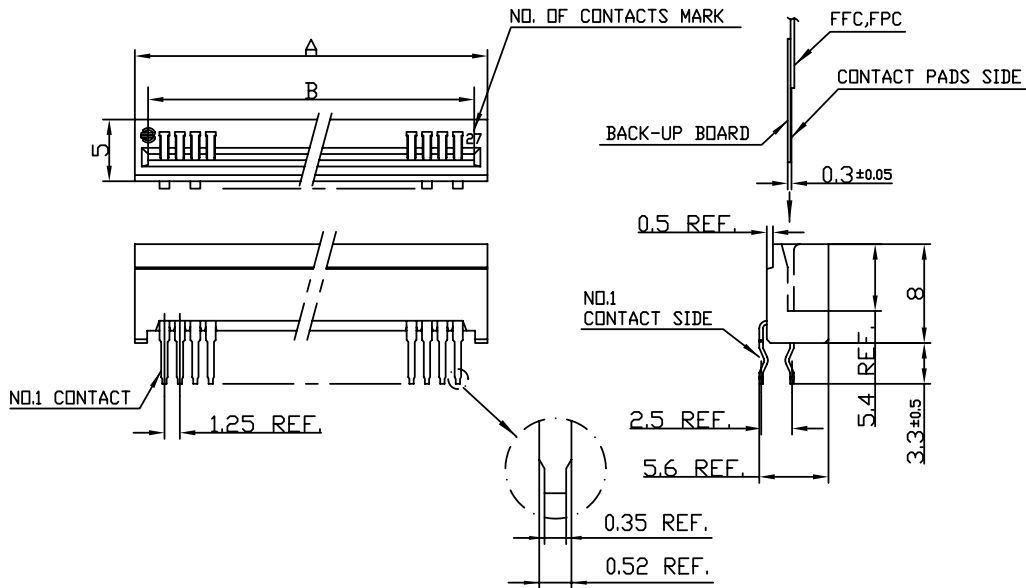
NOTES

1. THE HOUSING WILL WITHSTAND EXPOSURE TO 260 DEGREE PEAK TEMPERATURE FOR 10 SECONDS IN A WAVE SOLDER APPLICATION WITH A 1.57MM MINIMUM THICK CIRCUIT BOARD.
2. THIS PRODUCT MEETS EUROPEAN UNION DIRECTIVES AND OTHER COUNTRY REGULATIONS AS DESCRIBED IN GS-22-008.
3. PART NUMBERS ENDING IN 'LF' MEANS FOR NOTE 2 LEAD FREE IDENTIFICATION.
HLEMxxR/S-1RLF IS EQUIVALENT TO PREVIOUS P/N HLEMxxR/S-1R.

Cat. No. HLEM_R-1RLF (See Note 3)

mat'l. code				surface ISO 1302	tolerance ISO 406 ISO 101	projection 101	product family 58KF				
ltr	ecn no	dr	date	tolerances unless otherwise specified			title				
AA	J04-0253	H.T	2004-08-03	angles	.0±.3	mm	1.25mm Spacing Connector for FPC/FFC				
AB	S05-0145	D.T	2005-06-24	linear		scale -					
AC	S06-0252	P.C	2006-07-28	0'±2'							
		dr	M.Itsuka	1997-02-13				dwg no		sheet 1 of 1	size
		enr	S.Ito	1997-02-13				JSA 94071		A4	
		chr	Patrick Chua	2006-07-28				Product Customer Drawing			
		app	Joey Ng	2006-07-28							
sheet index	revision	AC									
	sheet	1									

TOLERANCES
UNLESS OTHERWISE SPECIFIED : ±0.2



MATERIAL: INSULATOR : PBT RESIN GLASS REINFORCED (UL94V-0)
COLOR : BLACK
CONTACT : PHOSPHOR BRONZE (TIN PLATED ; THICKNESS: 1 micron)

NO. OF CONTACTS	(See Note 3) CAT. NO.	DIMENSIONS		21	HLEM21S-1RLF	29.80	27.66
		A ±0.3	B ±0.1				
3	HLEM 3S-1RLF	7.30	5.16	22	HLEM22S-1RLF	31.05	28.91
4	HLEM 4S-1RLF	8.55	6.41	23	HLEM23S-1RLF	32.30	30.16
5	HLEM 5S-1RLF	9.80	7.66	24	HLEM24S-1RLF	33.55	31.41
6	HLEM 6S-1RLF	11.05	8.91	25	HLEM25S-1RLF	34.80	32.66
7	HLEM 7S-1RLF	12.30	10.16	26	HLEM26S-1RLF	36.05	33.91
8	HLEM 8S-1RLF	13.55	11.41	27	HLEM27S-1RLF	37.30	35.16
9	HLEM 9S-1RLF	14.80	12.66	28	HLEM28S-1RLF	38.55	36.41
10	HLEM 10S-1RLF	16.05	13.91	29	HLEM29S-1RLF	39.80	37.66
11	HLEM 11S-1RLF	17.30	15.16	30	HLEM30S-1RLF	41.05	38.91
12	HLEM 12S-1RLF	18.55	16.41	31	HLEM31S-1RLF	42.30	40.16
13	HLEM 13S-1RLF	19.80	17.66	32	HLEM32S-1RLF	43.55	41.41
14	HLEM 14S-1RLF	21.05	18.91	33	HLEM33S-1RLF	44.80	42.66
15	HLEM 15S-1RLF	22.30	20.16	34	HLEM34S-1RLF	46.05	43.91
16	HLEM 16S-1RLF	23.55	21.41	35	HLEM35S-1RLF	47.30	45.16
17	HLEM 17S-1RLF	24.80	22.66	36	HLEM36S-1RLF	48.55	46.41
18	HLEM 18S-1RLF	26.05	23.91	37	HLEM37S-1RLF	49.80	47.66
19	HLEM 19S-1RLF	27.30	25.16	38	HLEM38S-1RLF	51.05	48.91
20	HLEM 20S-1RLF	28.55	26.41	39	HLEM39S-1RLF	52.30	50.16
				40	HLEM40S-1RLF	53.55	51.41

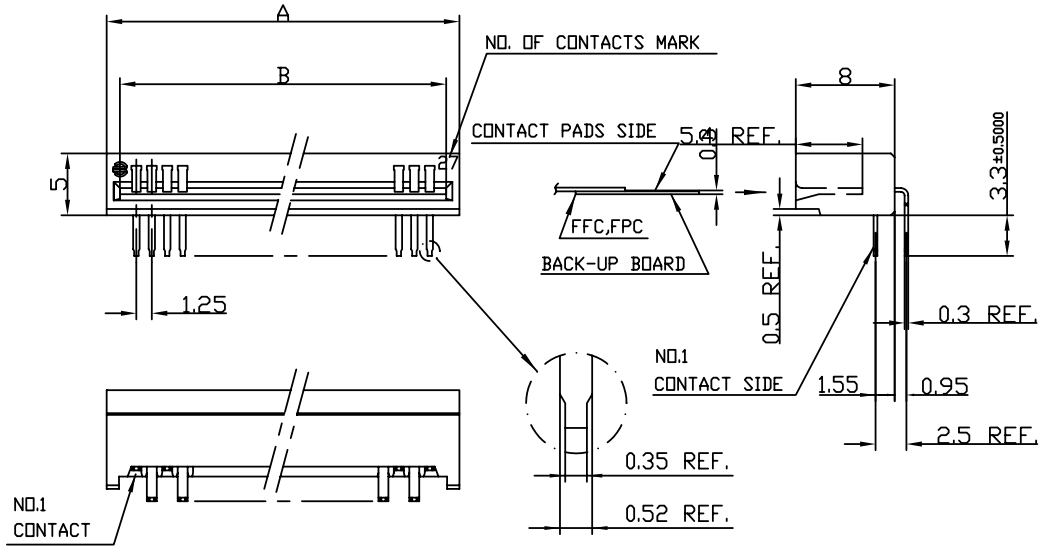
NOTES

1. THE HOUSING WILL WITHSTAND EXPOSURE TO 260 DEGREE PEAK TEMPERATURE FOR 10 SECONDS IN A WAVE SOLDER APPLICATION WITH A 1.57MM MINIMUM THICK CIRCUIT BOARD.
2. THIS PRODUCT MEETS EUROPEAN UNION DIRECTIVES AND OTHER COUNTRY REGULATIONS AS DESCRIBED IN GS-22-008.
3. PART NUMBERS ENDING IN 'LF' MEANS FOR NOTE 2 LEAD FREE IDENTIFICATION.
HLEMxxR/S-1RLF IS EQUIVALENT TO PREVIOUS P/N HLEMxxR/S-1R.

HLEM_S-1RLF (See Note 3)

mat'l. code				surface ISO 1302 ✓	tolerance ISO 406 ISO 101	projection 101	product family 58KF			
ltr	ecn no	dr	date	tolerances unless otherwise specified			title			
AA	J04-0253	H.T	2004-08-03	angles	.0±.3	mm	1.25mm Spacing Connector for FPC/FFC			
AB	S05-0145	D.T	2005-06-24	linear		scale -				
AC	S06-0252	P.C	2006-07-28	0'±2'						
				dr	M.Itsuka	1997-02-13	dwg no		sheet 1 of 1	size
				enrg	S.Ito	1997-02-13	JSA 94072		A4	
				chr	Patrick Chua	2006-07-28	type		Product Customer Drawing	
				appd	Joey Ng	2006-07-28				
sheet index	revision	AC	1							

TOLERANCES
UNLESS OTHERWISE SPECIFIED : ±0,2



MATERIAL: INSULATOR : PBT RESIN GLASS REINFORCED (UL94V-0)

COLOR : BLACK

CONTACT : PHOSPHOR BRONZE (TIN PLATED); THICKNESS: 1 micron)

NO. OF CONTACTS	CAT. NO.	DIMENSIONS		21	22	23	24	25	26	27	28	29	30	31	32	33	34	35	36	37	38	39	40
		A ±0.3	B ±0.1																				
3	HLEM 3R-2R	7.30	5.16	29.80	27.66																		
4	HLEM 4R-2R	8.55	6.41	31.05	28.91																		
5	HLEM 5R-2R	9.80	7.66	32.30	30.16																		
6	HLEM 6R-2R	11.05	8.91	33.55	31.41																		
7	HLEM 7R-2R	12.30	10.16	34.80	32.66																		
8	HLEM 8R-2R	13.55	11.41	36.05	33.91																		
9	HLEM 9R-2R	14.80	12.66	37.30	35.16																		
10	HLEM 10R-2R	16.05	13.91	38.55	36.41																		
11	HLEM 11R-2R	17.30	15.16	39.80	37.66																		
12	HLEM 12R-2R	18.55	16.41	41.05	38.91																		
13	HLEM 13R-2R	19.80	17.66	42.30	40.16																		
14	HLEM 14R-2R	21.05	18.91	43.55	41.41																		
15	HLEM 15R-2R	22.30	20.16	44.80	42.66																		
16	HLEM 16R-2R	23.55	21.41	46.05	43.91																		
17	HLEM 17R-2R	24.80	22.66	47.30	45.16																		
18	HLEM 18R-2R	26.05	23.91	48.55	46.41																		
19	HLEM 19R-2R	27.30	25.16	49.80	47.66																		
20	HLEM 20R-2R	28.55	26.41	51.05	48.91																		
				52.30	50.16																		
				53.55	51.41																		

NOTES

1. THE HOUSING WILL WITHSTAND EXPOSURE TO 260 DEGREE PEAK TEMPERATURE FOR 10 SECONDS IN A WAVE SOLDERAPPLICATION WITH A 1.75MM MINIMUM THICK CIRCUIT BOARD.
2. THIS PRODUCT MEETS EUROPEAN UNION DIRECTIVES AND OTHER COUNTRY REGULATIONS AS DESCRIBED IN GS-22-008.
3. PART NUMBERS ENDING IN "LF" MEANS FOR NOTES 2 LEAD FREE IDENTIFICATION. HLEMxxR-2RLF IS EQUIVALENT TO PREVIOUS P/N HLEMxxR-2R.

(Cat. No. HLEM_R-2R) (See Note 3)

mat'l. code				surface ISO 1302 ✓	tolerance ISO 406 ISO 101	projection	product family			
							58KF			
ltr	ecn no	dr	date	tolerances unless otherwise specified			title			
A	J04-0439	H.T	2004-12-06				1.25mm Spacing Connector for FPC/FFC			
B	S05-0176	D.T	2005-06-24	angles	linear	mm				
C	S06-0252	P.C	2006-07-28				scale			
				dr	H.Takakura	2004-12-06	dwg no			
				enrg	H.Takakura	2004-12-06	sheet 1 of 1			
				chr	Patrick Chua	2006-07-28	size			
				appd	Joey Ng	2006-07-28	A4			
							type Product Customer Drawing			
sheet index	revision	C								
	sheet	1								

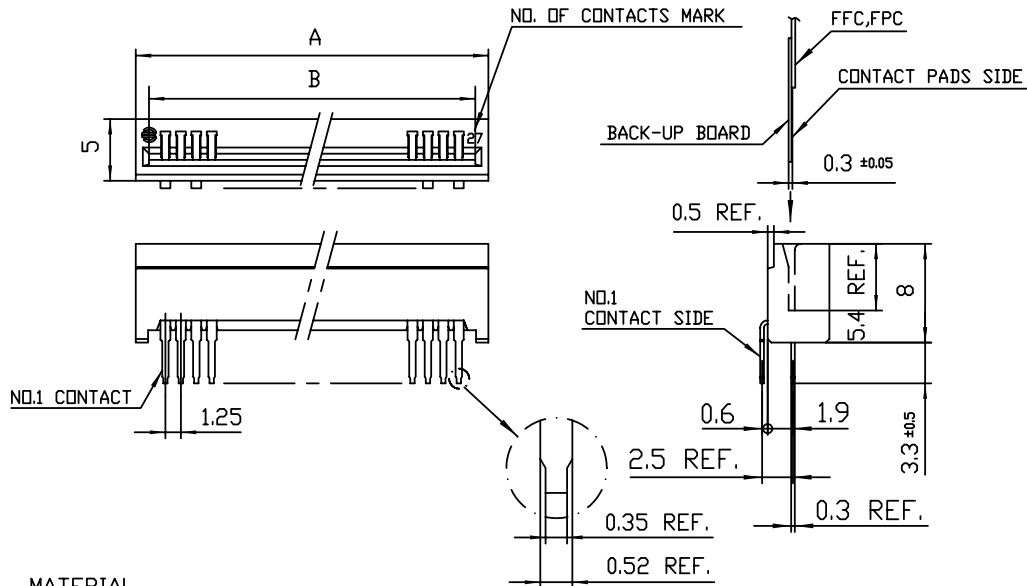


FCIconnect.com

Copyright FCI



TOLERANCES
UNLESS OTHERWISE SPECIFIED : ±0.2



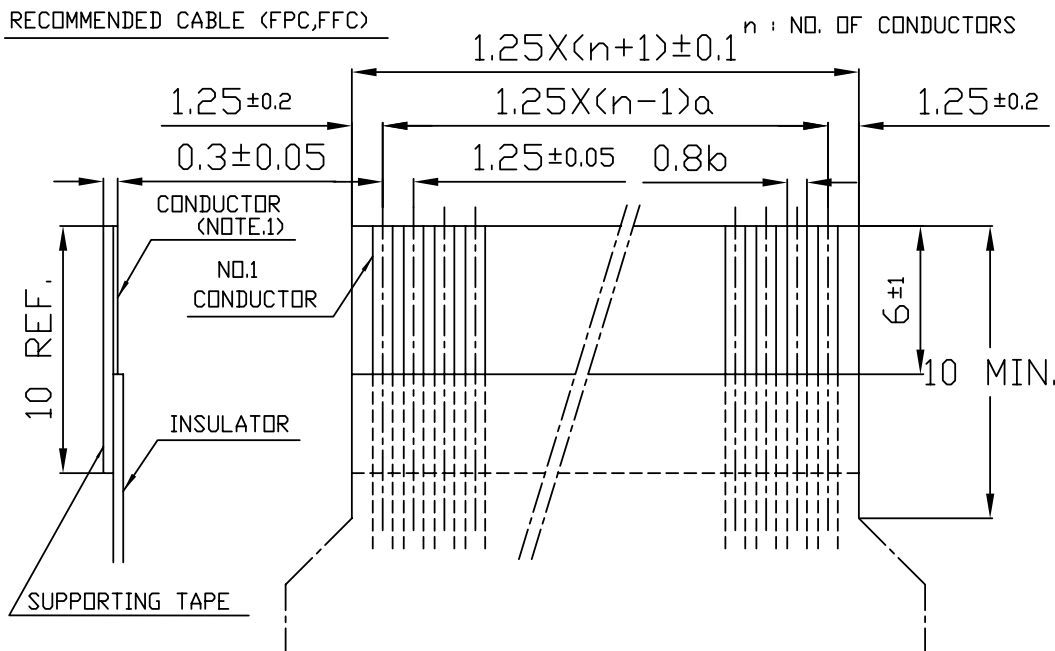
MATERIAL

INSULATOR : PBT RESIN GLASS REINFORCED (UL94V-0)
COLOR : BLACK
CONTACT : PHOSPHOR BRONZE (TIN PLATED)(LEAD FREE)

NO. OF CONTACTS	CAT. NO.	DIMENSIONS		21	HLEM21S-2R	29.80	27.66
		A ±0.3	B ±0.1				
3	HLEM 3S-2R	7.30	5.16	22	HLEM22S-2R	31.05	28.91
4	HLEM 4S-2R	8.55	6.41	23	HLEM23S-2R	32.30	30.16
5	HLEM 5S-2R	9.80	7.66	24	HLEM24S-2R	33.55	31.41
6	HLEM 6S-2R	11.05	8.91	25	HLEM25S-2R	34.80	32.66
7	HLEM 7S-2R	12.30	10.16	26	HLEM26S-2R	36.05	33.91
8	HLEM 8S-2R	13.55	11.41	27	HLEM27S-2R	37.30	35.16
9	HLEM 9S-2R	14.80	12.66	28	HLEM28S-2R	38.55	36.41
10	HLEM 10S-2R	16.05	13.91	29	HLEM29S-2R	39.80	37.66
11	HLEM 11S-2R	17.30	15.16	30	HLEM30S-2R	41.05	38.91
12	HLEM 12S-2R	18.55	16.41	31	HLEM31S-2R	42.30	40.16
13	HLEM 13S-2R	19.80	17.66	32	HLEM32S-2R	43.55	41.41
14	HLEM 14S-2R	21.05	18.91	33	HLEM33S-2R	44.80	42.66
15	HLEM 15S-2R	22.30	20.16	34	HLEM34S-2R	46.05	43.91
16	HLEM 16S-2R	23.55	21.41	35	HLEM35S-2R	47.30	45.16
17	HLEM 17S-2R	24.80	22.66	36	HLEM36S-2R	48.55	46.41
18	HLEM 18S-2R	26.05	23.91	37	HLEM37S-2R	49.80	47.66
19	HLEM 19S-2R	27.30	25.16	38	HLEM38S-2R	51.05	48.91
20	HLEM 20S-2R	28.55	26.41	39	HLEM39S-2R	52.30	50.16
				40	HLEM40S-2R	53.55	51.41

(Cat. No. HLEM__S-2R)

mat'l. code				surface ISO 1302 ✓	tolerance ISO 406 ISO 101	projection 	product family 58KF				
ltr	ecn no	dr	date	tolerances unless otherwise specified			title 1.25mm Spacing Connector for FPC/FFC				
A	J04-0439	H.T	2004-12-06	angles linear				dwg no JSA 96133			
B	S05-0176	D.T	2005-06-24								
C	S06-0252	P.C	2006-07-28	scale -			sheet 1 of 1				
dr				FCI			size A4				
enrg				chr Patrick Chua 2006-07-28			type Product Customer Drawing				
appd Joey Ng 2006-07-28											
sheet index	revision	C	1								



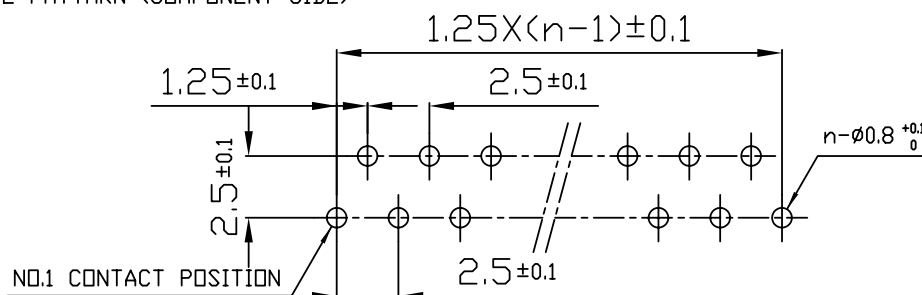
- NOTE
1. FINISH : SOLDER OR TIN PLATED. (1um MIN.)
 2. NO BURR AT EACH POSITION.
 3. NO PEELING IN COMMON USE.

TYPE	TOLERANCES	
	a	b
FPC	± 0.05	± 0.1
FFC	± 0.1	± 0.03

RECOMMENDED P.C. BOARD

THICKNESS : $\pm 0.9 - 2$
HOLE PATTARN (COMPONENT SIDE)

n : NO. OF CONTACTS



Cat. No. hLEM__R/S-___

mat'l. code				surface ISO 1302 <input checked="" type="checkbox"/>		tolerance ISO 406 ISO 101		projection 		product family 58EX	
ltr	ecn no	dr	date	tolerances unless otherwise specified				title			
AA	J04-0253	H.T	2004-08-03	.0 \pm .3				RECOMMENDED CABLE AND P.C. BOARD			
AB	S06-0252	P.C	2006-07-28	angles linear		0' \pm 2'		mm		dwg no JSA 28789	
				dr				scale -		sheet 1 of 1	
				enr						size A4	
				chr		Patrick Chua 2006-07-28				type Product Customer Drawing	
				app		Joey Ng 2006-07-28					
sheet index		revision		AB							
		sheet		1							



FCIconnect.com

Copyright FCI