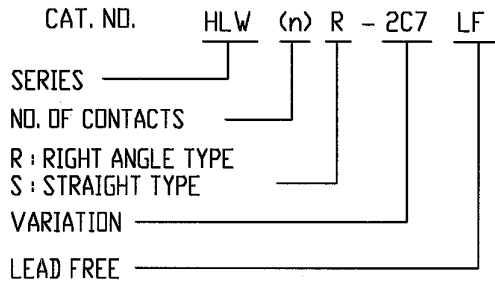


| REVISIONS | | | | |
|-----------|-------------|----------|-----|---------|
| REV | DESCRIPTION | ECN | BY | DATE |
| A | RELEASED | J05-0270 | H.T | 5/10/05 |

CAT. NO. & DIMENSIONS

| NO. OF CONTACTS (n) | CAT. NO. | | DIMENSIONS (NOTE1) | | |
|---------------------|------------------|---------------|--------------------|---------|------|
| | RIGHT ANGLE TYPE | STRAIGHT TYPE | A ± 0.3 | B ± 0.1 | C |
| 4 | HLW 4R-2C7LF | HLW 4S-2C7LF | 6.6 | 5.12 | 3.0 |
| 5 | HLW 5R-2C7LF | HLW 5S-2C7LF | 7.6 | 6.12 | 4.0 |
| 6 | HLW 6R-2C7LF | HLW 6S-2C7LF | 8.6 | 7.12 | 5.0 |
| 7 | HLW 7R-2C7LF | HLW 7S-2C7LF | 9.6 | 8.12 | 6.0 |
| 8 | HLW 8R-2C7LF | HLW 8S-2C7LF | 10.6 | 9.12 | 7.0 |
| 9 | HLW 9R-2C7LF | HLW 9S-2C7LF | 11.6 | 10.12 | 8.0 |
| 10 | HLW 10R-2C7LF | HLW 10S-2C7LF | 12.6 | 11.12 | 9.0 |
| 11 | HLW 11R-2C7LF | HLW 11S-2C7LF | 13.6 | 12.12 | 10.0 |
| 12 | HLW 12R-2C7LF | HLW 12S-2C7LF | 14.6 | 13.12 | 11.0 |
| 13 | HLW 13R-2C7LF | HLW 13S-2C7LF | 15.6 | 14.12 | 12.0 |
| 14 | HLW 14R-2C7LF | HLW 14S-2C7LF | 16.6 | 15.12 | 13.0 |
| 15 | HLW 15R-2C7LF | HLW 15S-2C7LF | 17.6 | 16.12 | 14.0 |
| 16 | HLW 16R-2C7LF | HLW 16S-2C7LF | 18.6 | 17.12 | 15.0 |
| 17 | HLW 17R-2C7LF | HLW 17S-2C7LF | 19.6 | 18.12 | 16.0 |
| 18 | HLW 18R-2C7LF | HLW 18S-2C7LF | 20.6 | 19.12 | 17.0 |
| 19 | HLW 19R-2C7LF | HLW 19S-2C7LF | 21.6 | 20.12 | 18.0 |
| 20 | HLW 20R-2C7LF | HLW 20S-2C7LF | 22.6 | 21.12 | 19.0 |
| 21 | HLW 21R-2C7LF | HLW 21S-2C7LF | 23.6 | 22.12 | 20.0 |
| 22 | HLW 22R-2C7LF | HLW 22S-2C7LF | 24.6 | 23.12 | 21.0 |
| 23 | HLW 23R-2C7LF | HLW 23S-2C7LF | 25.6 | 24.12 | 22.0 |
| 24 | HLW 24R-2C7LF | HLW 24S-2C7LF | 26.6 | 25.12 | 23.0 |
| 25 | HLW 25R-2C7LF | HLW 25S-2C7LF | 27.6 | 26.12 | 24.0 |
| 26 | HLW 26R-2C7LF | HLW 26S-2C7LF | 28.6 | 27.12 | 25.0 |
| 27 | HLW 27R-2C7LF | HLW 27S-2C7LF | 29.6 | 28.12 | 26.0 |
| 28 | HLW 28R-2C7LF | HLW 28S-2C7LF | 30.6 | 29.12 | 27.0 |
| 29 | HLW 29R-2C7LF | HLW 29S-2C7LF | 31.6 | 30.12 | 28.0 |
| 30 | HLW 30R-2C7LF | HLW 30S-2C7LF | 32.6 | 31.12 | 29.0 |
| 31 | HLW 31R-2C7LF | HLW 31S-2C7LF | 33.6 | 32.12 | 30.0 |
| 32 | HLW 32R-2C7LF | HLW 32S-2C7LF | 34.6 | 33.12 | 31.0 |

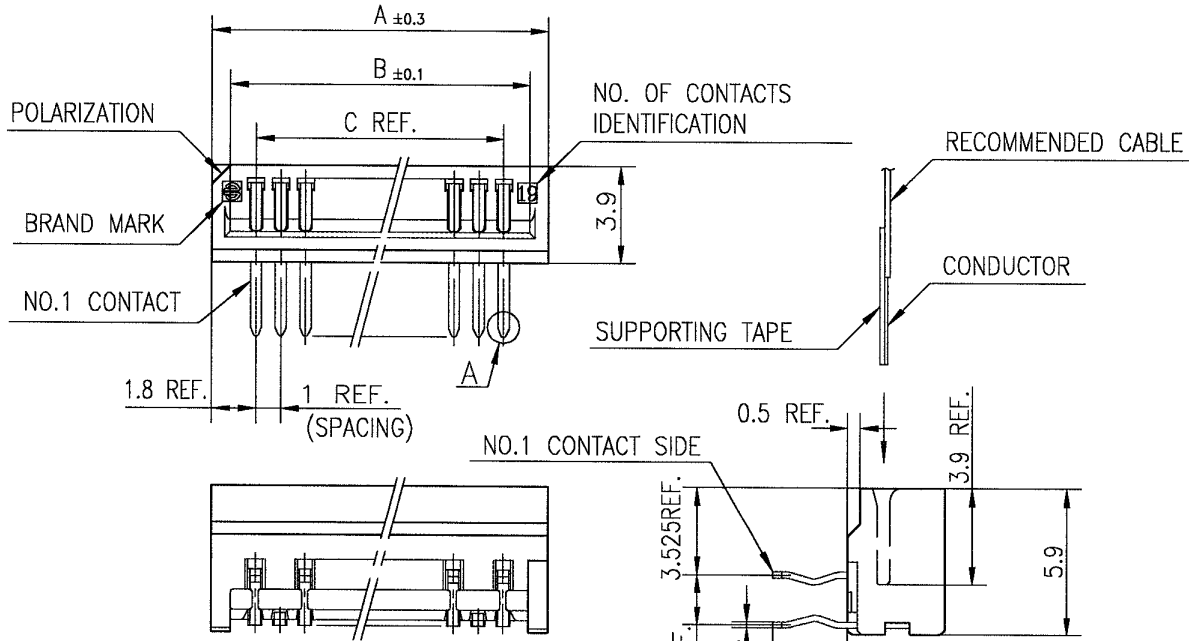


NOTES

1. SEE PART DRAWINGS FOR DIMENSIONS A~C.

| | | | | | | | | | | | | | |
|---------------------------------------|---------|---|---------------------|--|---------|---------|-----------------------|--|------|----------|-----------|------------------------|--------|
| SHEET INDEX | ISSUE | A | | | | | | | | | | A FCI | |
| | SH. NO. | 1 | | | | | | | | | | | |
| TOLERANCES UNLESS OTHERWISE SPECIFIED | | DR | <i>T. Sasaki</i> | | DATE | 5/11/05 | CUSTOMER COPY | TITLE CAT NO. TABLE FOR 1mm SPACING CONNECTOR (Cat. No. : HLW__R/S-2C7LF) | | | | | |
| LINEAR | | ENGR | <i>A. Takahashi</i> | | 5/13/05 | | THIRD ANGLE PROJ | | | | | | |
| | | CHK | <i>A. Takahashi</i> | | 5/13/05 | UNIT | MM INCH | PRODUCT FAMILY | 58JF | CODE JP | | | |
| ANGLES | | APPD | <i>M. Yamaguchi</i> | | 5/13/05 | | | SCALE | SIZE | DWG. NO. | REV | SHEET | |
| DO NOT SCALE PRINT | | THIS INFORMATION IS CONFIDENTIAL AND IS DISCLOSED TO YOU ON CONDITION THAT NO FURTHER DISCLOSURE IS MADE BY YOU TO OTHER THAN FCI PERSONNEL WITHOUT WRITTEN AUTHORIZATION FROM FCI JAPAN K.K. | | | | | | | mm | ∞ | JSA 96403 | A | 1 of 1 |
| DF-140A REV A | | | | | | | | | | | | | |

| REVISIONS | | | | |
|-----------|-----------------------|----------|-----|----------|
| REV | DESCRIPTION | ECN | BY | DATE |
| A | RELEASED | J05-0270 | H.T | 5/10/05 |
| B | Added heat resistance | J05-0735 | H.T | 10/28/05 |



MATERIAL

INSULATOR : PBT RESIN GLASS REINFORCED (UL94V-0)
 COLOR : BLACK
 CONTACT : PHOSPHOR BRONZE
 PLATING : TIN

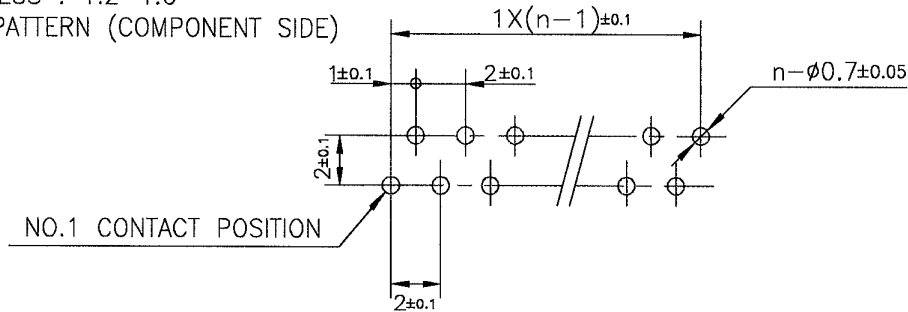
NOTE

1. THIS PRODUCT IS RIGHT ANGLE TYPE CONNECTOR.
2. THIS PRODUCT MEETS EUROPEAN UNION DIRECTIVES AND OTHER COUNTRY REGULATIONS AS DESCRIBED IN GS-22-008.
3. THE HOUSING WILL WITHSTAND EXPOSURE TO 260°C PEAK TEMPERATURE FOR 10 SECONDS IN A WAVE SOLDER APPLICATION WITH A 1.6mm THICK CIRCUIT BOARD.

RECOMMENDED PC BOARD

THICKNESS : 1.2~1.6
 HOLE PATTERN (COMPONENT SIDE)

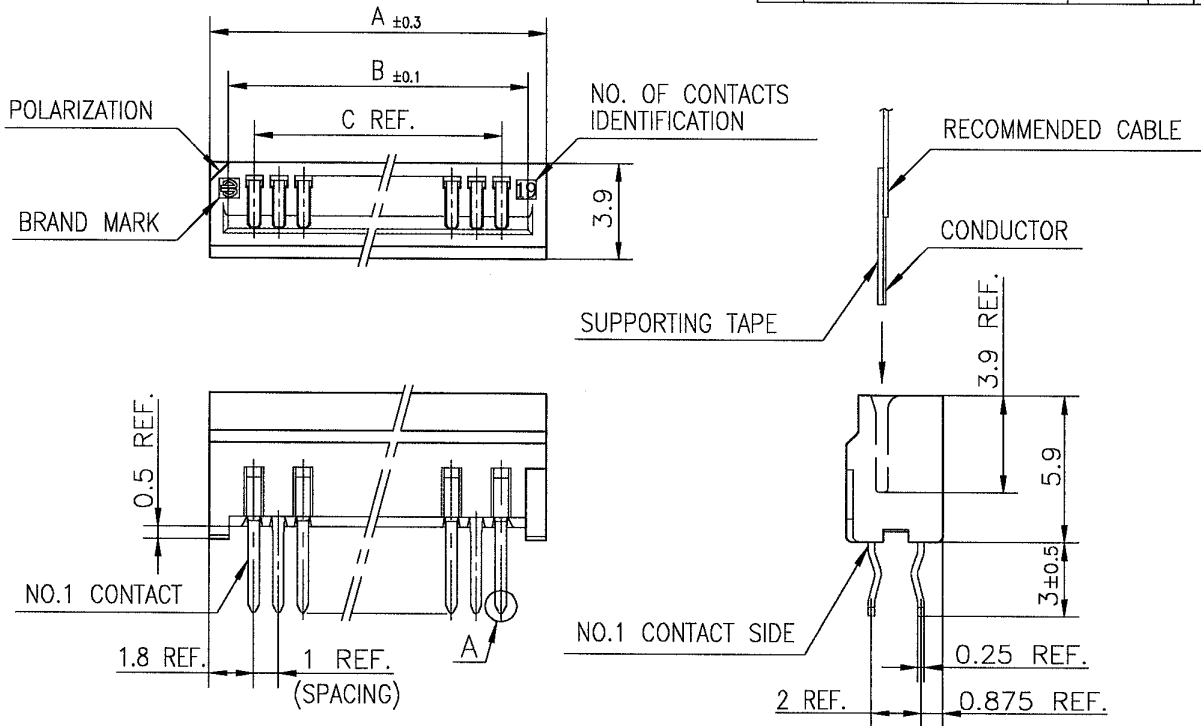
n : NO. OF CONTACTS



| | | | | | | | | | | | |
|---------------------------------------|--------|---|---------------------|------|----------|------------------|-------|--|-----------|---------|--------|
| SHEET INDEX | ISSUE | B | | | | | | | | | |
| | SH NO. | 1 | | | | | | | | | |
| TOLERANCES UNLESS OTHERWISE SPECIFIED | | DR | <i>M. Murayama</i> | DATE | 10/27/05 | CUSTOMER COPY | | TITLE | | | |
| LINEAR | ±0.2 | ENGR | <i>H. Takahashi</i> | | 10/31/05 | THIRD ANGLE PROJ | | 1mm SPACING CONNECTOR FOR FPC/FFC (Cat. No. :HLW__R-2C7LF) | | | |
| | | CHK | <i>H. Takahashi</i> | | 10/31/05 | UNIT | | PRODUCT FAMILY | | | |
| ANGLES | | APPD | <i>S. Okada</i> | | 11/1/05 | MM | | 58JF | | CODE JP | |
| DO NOT SCALE PRINT | | THIS INFORMATION IS CONFIDENTIAL AND IS DISCLOSED TO YOU ON CONDITION THAT NO FURTHER DISCLOSURE IS MADE BY YOU TO OTHER THAN FCI PERSONNEL WITHOUT WRITTEN AUTHORIZATION FROM FCI JAPAN K.K. | | | | | SCALE | SIZE | DWG. NO. | REV | SHEET |
| DF-140A REV A | | | | | | | X | A | JSA 96405 | B | 1 of 1 |

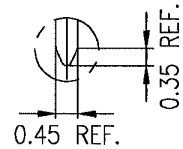
SC-HLW05 JSA96403

| REVISIONS | | | | |
|-----------|-----------------------|----------|-----|----------|
| REV | DESCRIPTION | ECN | BY | DATE |
| A | RELEASED | J05-0270 | H.T | 5/10/05 |
| B | Added heat resistance | J05-0735 | H.T | 10/28/05 |



MATERIAL

INSULATOR : PBT RESIN GLASS REINFORCED (UL94V-0)
 COLOR : BLACK
 CONTACT : PHOSPHOR BRONZE
 PLATING : TIN



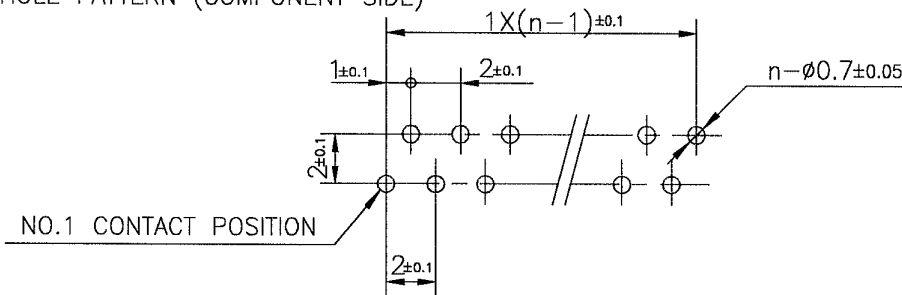
DETAIL A

- NOTE 1. THIS PRODUCT IS STRAIGHT TYPE CONNECTOR.
 2. THIS PRODUCT MEETS EUROPEAN UNION DIRECTIVES AND OTHER COUNTRY REGULATIONS AS DESCRIBED IN GS-22-008.
 3. THE HOUSING WILL WITHSTAND EXPOSURE TO 260°C PEAK TEMPERATURE FOR 10 SECONDS IN A WAVE SOLDER APPLICATION WITH A 1.6mm THICK CIRCUIT BOARD.

RECOMMENDED PC BOARD

THICKNESS : 1.2~1.6
 HOLE PATTERN (COMPONENT SIDE)

n : NO. OF CONTACTS



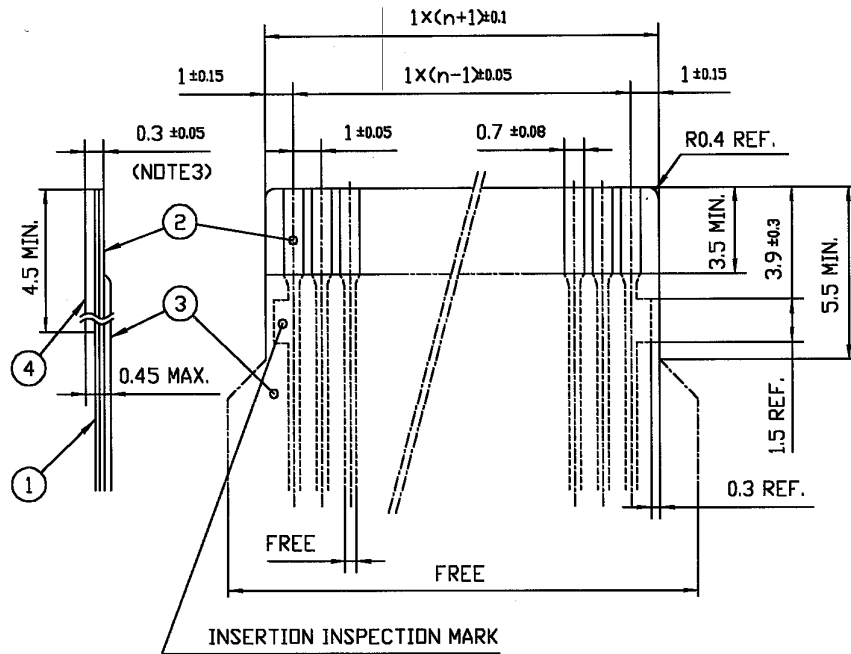
| | | | | | | | | | | | | | | | | |
|--|---------------------------------------|------|------|---------------------|---------------------|----------|------------------|------|----------------|--|------|--|---------|-----------|-----|--------|
| SHEET INDEX | ISSUE | B | | | | | | | | | | | | | | |
| | SH NO. | 1 | | | | | | | | | | | | | | |
| LINEAR | TOLERANCES UNLESS OTHERWISE SPECIFIED | ±0.2 | DR | <i>M. Motomura</i> | DATE | 10/28/05 | CUSTOMER COPY | | TITLE | | | 1mm SPACING CONNECTOR FOR FPC/FFC (Cat. No. :HLW__S-2C7LF) | | | | |
| | ANGLES | | ENGR | <i>H. Takahashi</i> | | 10/21/05 | THIRD ANGLE PROJ | | PRODUCT FAMILY | | 58JF | | CODE JP | | | |
| | | | | CHK | <i>H. Takahashi</i> | | 10/31/05 | UNIT | MM | | | | | | | |
| | | | APPD | <i>S. Sudo</i> | | 11/1/05 | INCH | | | | | | | | | |
| DD NOT SCALE PRINT THIS INFORMATION IS CONFIDENTIAL AND IS DISCLOSED TO YOU ON CONDITION THAT NO FURTHER DISCLOSURE IS MADE BY YOU TO OTHER THAN FCI PERSONNEL WITHOUT WRITTEN AUTHORIZATION FROM FCI JAPAN K.K. | | | | | | | | | | | | SCALE | SIZE | DWG. NO. | REV | SHEET |
| DF-140A REV A | | | | | | | | | | | | ∞ | A | JSA 96406 | B | 1 of 1 |

SC-HLW05 JSA96403

| REVISIONS | | | | |
|-----------|--------------|----------|-----|---------|
| REV | DESCRIPTION | ECN | BY | DATE |
| AA | Changed form | J05-0270 | H.T | 5/11/05 |

RECOMMENDED CABLE (FPC)



n : NO. OF CONDUCTORS



| PT. NO. | DESCRIPTION | MATERIAL | THICKNESS (μm) |
|---------|-----------------|---|----------------|
| 1 | BASE FILM | POLYIMIDE OR POLYESTER OR EQUIVALENT | 25 |
| 2 | CONDUCTOR | COPPER FOIL (PLATING : SOLDER 1μm MIN.) | 35 |
| 3 | OVERLAY | POLYIMIDE OR POLYESTER OR EQUIVALENT | — |
| 4 | SUPPORTING TAPE | POLYESTER OR POLYIMIDE OR EQUIVALENT | 188 |

NOTES

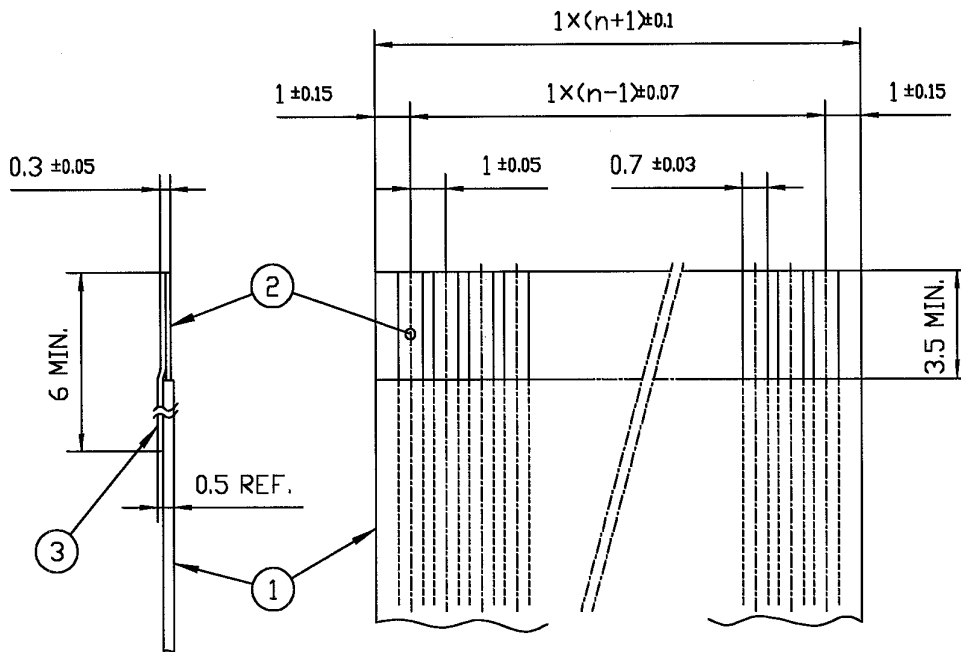
1. NO BURR AT EACH PORTION.
2. NO PEELING IN COMMON USE.
3. TOTAL THICKNESS LIMIT OF EACH MATERIAL (INCLUDING ADHESIVE AGENT) IS SPECIFIED.

| | | | | | | | | | | | | | | | | | | | |
|---------------------------------------|--------|---|--------------------|------|---------|---|--|----|------|-------|------|---|---|----------|----------|-----|----|-------|----|
| SHEET INDEX | ISSUE | AA | | | | | | | | | |  | | | | | | | |
| | SH NO. | 1 | | | | | | | | | | | | | | | | | |
| TOLERANCES UNLESS OTHERWISE SPECIFIED | | DR | <i>T. Sasaki</i> | DATE | 5/11/05 | CUSTOMER COPY | TITLE | | | | | | | | | | | | |
| LINEAR | | ENGR | <i>H. Sasaki</i> | DATE | 5/13/05 |  | RECOMMENDED CABLE (FPC) (Cat. No. HLW__R/S-___) | | | | | | | | | | | | |
| | | CHK | <i>H. Sasaki</i> | DATE | 5/13/05 | | | | | | | | | | | | | | |
| ANGLES | | APPD | <i>M. Blazsana</i> | DATE | 5/17/05 | THIRD ANGLE PROJ | PRODUCT FAMILY | | | | CODE | | | | | | | | |
| DO NOT SCALE PRINT | | THIS INFORMATION IS CONFIDENTIAL AND IS DISCLOSED TO YOU ON CONDITION THAT NO FURTHER DISCLOSURE IS MADE BY YOU TO OTHER THAN FCI PERSONNEL WITHOUT WRITTEN AUTHORIZATION FROM FCI JAPAN K.K. | | | | | UNIT | MM | INCH | SCALE | 4/1 | SIZE | A | DWG. NO. | JSA93382 | REV | AA | SHEET | OF |
| DF-140A REV A | | | | | | | | | | | | | | | | | | | |

| REVISIONS | | | | |
|-----------|--------------|----------|-----|---------|
| REV | DESCRIPTION | ECN | BY | DATE |
| AA | Changed form | J05-0274 | H.T | 5/11/05 |

RECOMMENDED CABLE (FFC)

n : NO. OF CONDUCTORS



| PT. NO. | DESCRIPTION | MATERIAL | NOTE |
|---------|-----------------|---|-------------------------------------|
| 1 | INSULATOR | FLAME RESISTING POLYESTER OR EQUIVALENT | _____ |
| 2 | CONDUCTOR | COPPER FOIL | PLATING : TIN OR SOLDER 1μm MIN. |
| 3 | SUPPORTING TAPE | FLAME RESISTING POLYESTER OR EQUIVALENT | _____ |

NOTES

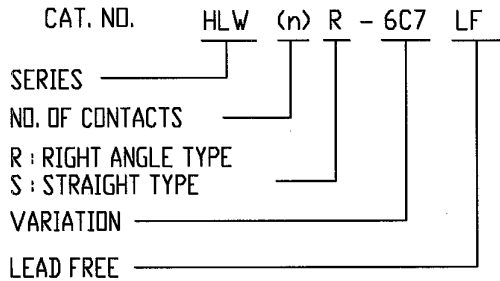
1. NO BURR AT EACH PORTION.
2. NO PEELING IN COMMON USE.

| | | | | | | | | | | | |
|--------------------|---------------------------------------|---|---------------------|------------------|------------------|---------|----------------|---|-----------|-----|-----------------|
| SHEET INDEX | ISSUE | AA | | | | | | | | | A FCI |
| | SH NO. | 1 | | | | | | | | | |
| LINEAR | TOLERANCES UNLESS OTHERWISE SPECIFIED | | DR | <i>J. Sasaki</i> | DATE | 5/11/05 | CUSTOMER COPY | TITLE RECOMMENDED CABLE(FFC) (Cat. No. HLW__R/S-__) | | | |
| | ANGLES | ENGR | <i>H. Takahashi</i> | 5/12/05 | THIRD ANGLE PROJ | UNIT | MM INCH | | | | |
| | | CHK | <i>H. Takahashi</i> | 5/12/05 | | | | | | | |
| | APPD | <i>M. Hasegawa</i> | 5/17/05 | | | | PRODUCT FAMILY | CODE JP | | | |
| DO NOT SCALE PRINT | | THIS INFORMATION IS CONFIDENTIAL AND IS DISCLOSED TO YOU ON CONDITION THAT NO FURTHER DISCLOSURE IS MADE BY YOU TO OTHER THAN FCI PERSONNEL WITHOUT WRITTEN AUTHORIZATION FROM FCI JAPAN K.K. | | | | | SCALE | SIZE | DWG. NO. | REV | SHEET |
| DF-140A REV A | | | | | | | - | A | JSA 93383 | AA | OF |

| REVISIONS | | | | |
|-----------|-------------|----------|-----|---------|
| REV | DESCRIPTION | ECN | BY | DATE |
| A | RELEASED | J05-0270 | H.T | 5/10/05 |

CAT. NO. & DIMENSIONS

| NO. OF CONTACTS (n) | CAT. NO. | | DIMENSIONS (NOTE 1) | | |
|---------------------|------------------|---------------|---------------------|---------|------|
| | RIGHT ANGLE TYPE | STRAIGHT TYPE | A ± 0.3 | B ± 0.1 | C |
| 4 | HLW 4R-6C7LF | HLW 4S-6C7LF | 6.6 | 5.12 | 3.0 |
| 5 | HLW 5R-6C7LF | HLW 5S-6C7LF | 7.6 | 6.12 | 4.0 |
| 6 | HLW 6R-6C7LF | HLW 6S-6C7LF | 8.6 | 7.12 | 5.0 |
| 7 | HLW 7R-6C7LF | HLW 7S-6C7LF | 9.6 | 8.12 | 6.0 |
| 8 | HLW 8R-6C7LF | HLW 8S-6C7LF | 10.6 | 9.12 | 7.0 |
| 9 | HLW 9R-6C7LF | HLW 9S-6C7LF | 11.6 | 10.12 | 8.0 |
| 10 | HLW 10R-6C7LF | HLW 10S-6C7LF | 12.6 | 11.12 | 9.0 |
| 11 | HLW 11R-6C7LF | HLW 11S-6C7LF | 13.6 | 12.12 | 10.0 |
| 12 | HLW 12R-6C7LF | HLW 12S-6C7LF | 14.6 | 13.12 | 11.0 |
| 13 | HLW 13R-6C7LF | HLW 13S-6C7LF | 15.6 | 14.12 | 12.0 |
| 14 | HLW 14R-6C7LF | HLW 14S-6C7LF | 16.6 | 15.12 | 13.0 |
| 15 | HLW 15R-6C7LF | HLW 15S-6C7LF | 17.6 | 16.12 | 14.0 |
| 16 | HLW 16R-6C7LF | HLW 16S-6C7LF | 18.6 | 17.12 | 15.0 |
| 17 | HLW 17R-6C7LF | HLW 17S-6C7LF | 19.6 | 18.12 | 16.0 |
| 18 | HLW 18R-6C7LF | HLW 18S-6C7LF | 20.6 | 19.12 | 17.0 |
| 19 | HLW 19R-6C7LF | HLW 19S-6C7LF | 21.6 | 20.12 | 18.0 |
| 20 | HLW 20R-6C7LF | HLW 20S-6C7LF | 22.6 | 21.12 | 19.0 |
| 21 | HLW 21R-6C7LF | HLW 21S-6C7LF | 23.6 | 22.12 | 20.0 |
| 22 | HLW 22R-6C7LF | HLW 22S-6C7LF | 24.6 | 23.12 | 21.0 |
| 23 | HLW 23R-6C7LF | HLW 23S-6C7LF | 25.6 | 24.12 | 22.0 |
| 24 | HLW 24R-6C7LF | HLW 24S-6C7LF | 26.6 | 25.12 | 23.0 |
| 25 | HLW 25R-6C7LF | HLW 25S-6C7LF | 27.6 | 26.12 | 24.0 |
| 26 | HLW 26R-6C7LF | HLW 26S-6C7LF | 28.6 | 27.12 | 25.0 |
| 27 | HLW 27R-6C7LF | HLW 27S-6C7LF | 29.6 | 28.12 | 26.0 |
| 28 | HLW 28R-6C7LF | HLW 28S-6C7LF | 30.6 | 29.12 | 27.0 |
| 29 | HLW 29R-6C7LF | HLW 29S-6C7LF | 31.6 | 30.12 | 28.0 |
| 30 | HLW 30R-6C7LF | HLW 30S-6C7LF | 32.6 | 31.12 | 29.0 |
| 31 | HLW 31R-6C7LF | HLW 31S-6C7LF | 33.6 | 32.12 | 30.0 |
| 32 | HLW 32R-6C7LF | HLW 32S-6C7LF | 34.6 | 33.12 | 31.0 |

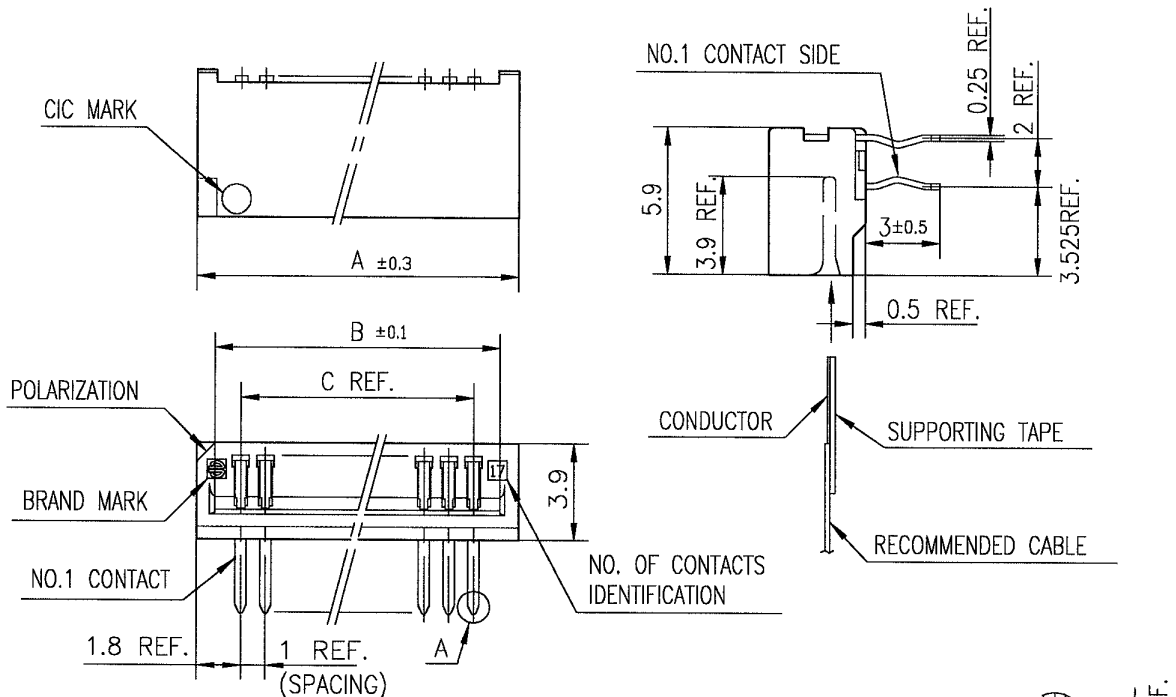


NOTES
1. SEE PART DRAWINGS FOR DIMENSIONS A~C.

| | | | | | | | | | | | | | | | | | | | | | |
|---------------------------------------|--------|---|---|---------------------|--|------|---------|------------------|--|-------|---------|--|--|------|---|----------|-----------|-----|---|-------|--------|
| SHEET INDEX | ISSUE | A | | | | | | | | | | | | | | | | | | | |
| | SH NO. | 1 | | | | | | | | | | | | | | | | | | | |
| TOLERANCES UNLESS OTHERWISE SPECIFIED | | | DR | <i>T. Sasaki</i> | | DATE | 5/11/05 | CUSTOMER COPY | TITLE CAT NO. TABLE FOR 1mm SPACING CONNECTOR (Cat. No. : HLW__R/S-6C7LF) | | | | | | | | | | | | |
| LINEAR | | | ENGR | <i>H. Takahashi</i> | | DATE | 5/13/05 | THIRD ANGLE PROJ | PRODUCT FAMILY 58JF | | | | | | | | | | | | |
| | | | CHK | <i>H. Takahashi</i> | | DATE | 5/13/05 | | UNIT | MM | CODE JP | | | | | | | | | | |
| ANGLES | | | APPD | <i>M. Hasegawa</i> | | DATE | 5/13/05 | UNIT | MM | SCALE | | | | | | | | | | | |
| DO NOT SCALE PRINT | | | THIS INFORMATION IS CONFIDENTIAL AND IS DISCLOSED TO YOU ON CONDITION THAT NO FURTHER DISCLOSURE IS MADE BY YOU TO OTHER THAN FCI PERSONNEL WITHOUT WRITTEN AUTHORIZATION FROM FCI JAPAN K.K. | | | | | | | | | | | SIZE | X | DWG. NO. | JSA 96404 | REV | A | SHEET | 1 of 1 |
| DF-140A REV A | | | | | | | | | | | | | | mm | | | | | | | |



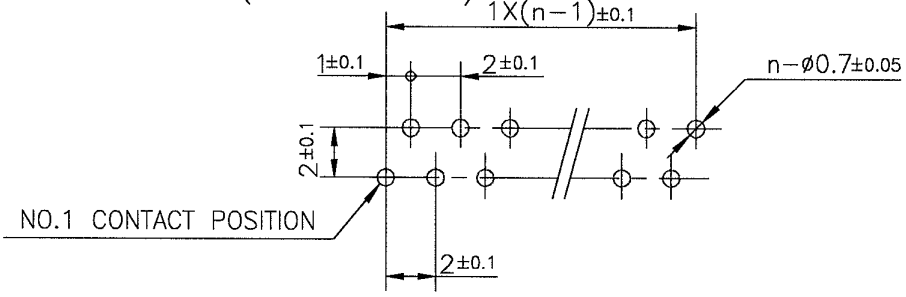
| REVISIONS | | | | |
|-----------|-----------------------|----------|-----|----------|
| REV | DESCRIPTION | ECN | BY | DATE |
| A | RELEASED | J05-0270 | H.T | 5/10/05 |
| B | Added heat resistance | J05-0735 | H.T | 10/28/05 |



MATERIAL
 INSULATOR : PBT RESIN GLASS REINFORCED (UL94V-0)
 COLOR : BLACK
 CONTACT : PHOSPHOR BRONZE
 PLATING : TIN

NOTE
 1. THIS PRODUCT IS RIGHT ANGLE TYPE CONNECTOR.
 2. THIS PRODUCT MEETS EUROPEAN UNION DIRECTIVES AND OTHER COUNTRY REGULATIONS AS DESCRIBED IN GS-22-008.
 3. THE HOUSING WILL WITHSTAND EXPOSURE TO 260°C PEAK TEMPERATURE FOR 10 SECONDS IN A WAVE SOLDER APPLICATION WITH A 1.6mm THICK CIRCUIT BOARD.

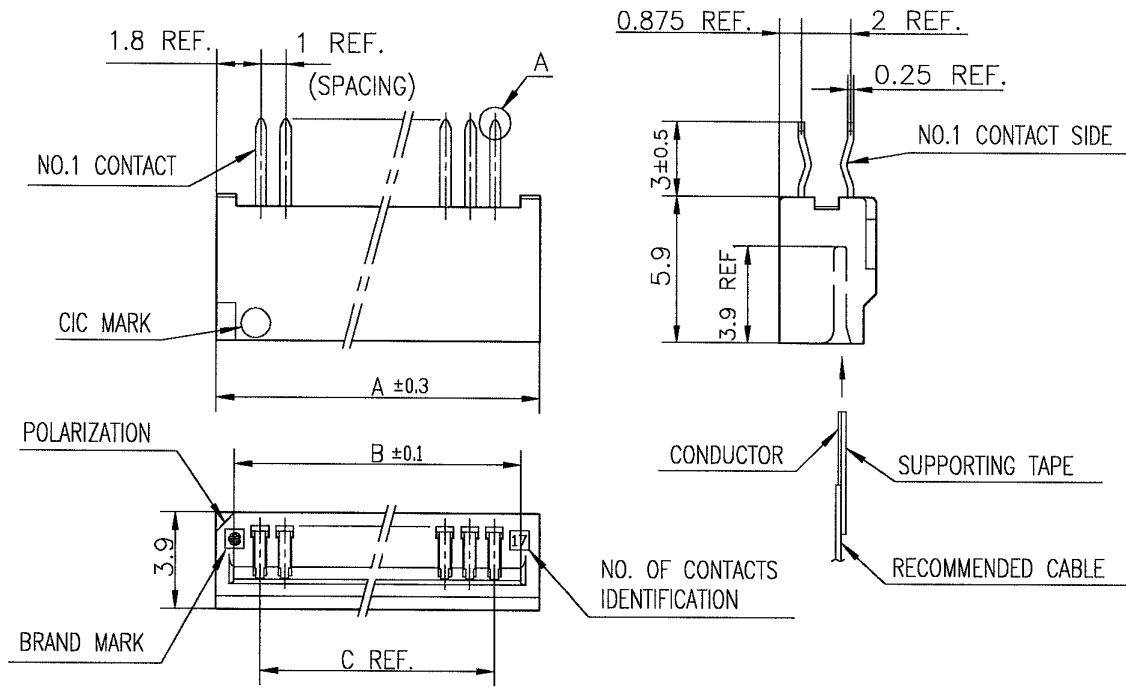
RECOMMENDED PC BOARD
 THICKNESS : 1.2~1.6
 HOLE PATTERN (COMPONENT SIDE) $1 \times (n-1) \pm 0.1$
 n : NO. OF CONTACTS



| | | | | | | | | | | | | | | | | |
|---------------------------------------|---------|---|------|----------|------------------|------|--|------|--|--|--|----------------|------------|--------------|-----|--------|
| SHEET INDEX | ISSUE | B | | | | | | | | | | | FCI | | | |
| | SH NO. | 1 | | | | | | | | | | | | | | |
| TOLERANCES UNLESS OTHERWISE SPECIFIED | | DR | | DATE | CUSTOMER COPY | | TITLE | | | | | PRODUCT FAMILY | CODE JP | | | |
| ±0.2 | | ENGR | | 10/28/05 | THIRD ANGLE PROJ | | 1mm SPACING CONNECTOR FOR CIC (Cat. No. :HLW__R-6C7LF) | | | | | | | | | |
| LINEAR | CHK | | APPD | | 10/21/05 | UNIT | | 58JF | | | | | REV B | SHEET 1 of 1 | | |
| ANGLES | 11/1/05 | | | | MM INCH | | JSA 96407 | | | | | | | | | |
| DO NOT SCALE PRINT | | THIS INFORMATION IS CONFIDENTIAL AND IS DISCLOSED TO YOU ON CONDITION THAT NO FURTHER DISCLOSURE IS MADE BY YOU TO OTHER THAN FCI PERSONNEL WITHOUT WRITTEN AUTHORIZATION FROM FCI JAPAN K.K. | | | | | | | | | | SCALE | SIZE | DWG. NO. | REV | SHEET |
| DF-140A REV A | | | | | | | | | | | | X | A | JSA 96407 | B | 1 of 1 |

SC-HLW06 JSA96404

| REVISIONS | | | | |
|-----------|-----------------------|----------|-----|----------|
| REV | DESCRIPTION | ECN | BY | DATE |
| A | RELEASED | J05-0270 | H.T | 5/10/05 |
| B | Added heat resistance | J05-0735 | H.T | 10/28/05 |

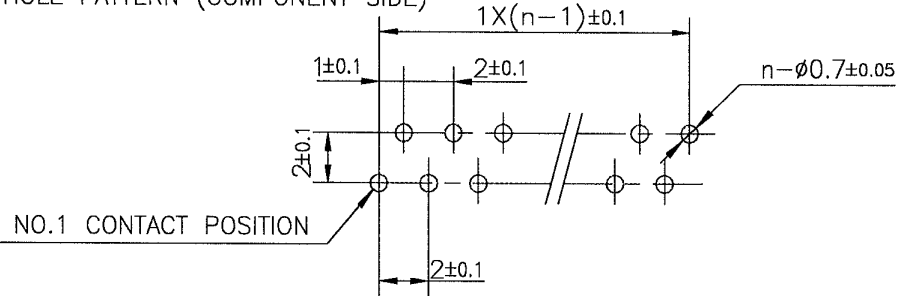


MATERIAL
 INSULATOR : PBT RESIN GLASS REINFORCED (UL94V-0)
 COLOR : BLACK
 CONTACT : PHOSPHOR BRONZE
 PLATING : TIN

NOTE
 1. THIS PRODUCT IS STRAIGHT TYPE CONNECTOR.
 2. THIS PRODUCT MEETS EUROPEAN UNION DIRECTIVES AND OTHER COUNTRY REGULATIONS AS DESCRIBED IN GS-22-008.
 3. THE HOUSING WILL WITHSTAND EXPOSURE TO 260°C PEAK TEMPERATURE FOR 10 SECONDS IN A WAVE SOLDER APPLICATION WITH A 1.6mm THICK CIRCUIT BOARD.

RECOMMENDED PC BORAD n : NO. OF CONTACTS

THICKNESS : 1.2~1.6
 HOLE PATTERN (COMPONENT SIDE)



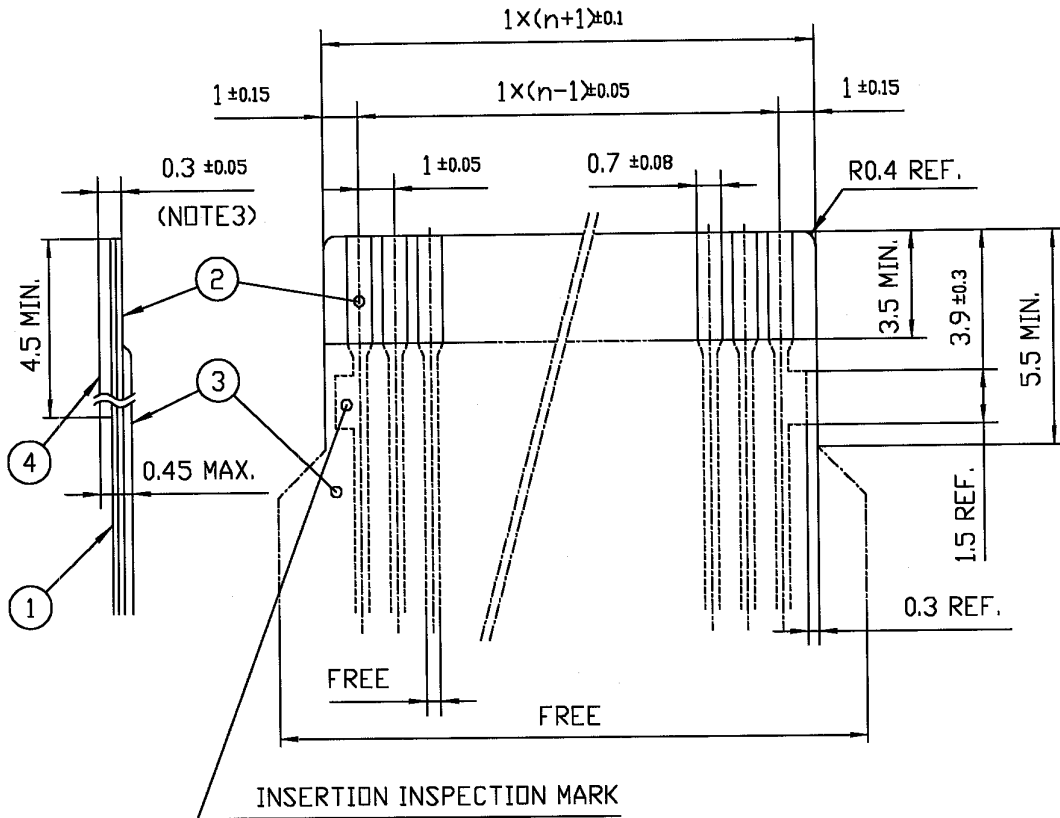
| | | | | | | | | | | | | | | | | | | | | | | | |
|--------------------|---------------------------------------|------|--------------------|------|----------|------------------|------------|----------------|--|----------|-----|-------|---|-------|-----------|----------|--------|-------|--|--|--|--|--|
| SHEET INDEX | ISSUE | B | | | | | | | | | | | | | | | | | | | | | |
| | SH NO. | 1 | | | | | | | | | | | | | | | | | | | | | |
| LINEAR | TOLERANCES UNLESS OTHERWISE SPECIFIED | DR | <i>[Signature]</i> | DATE | 10/28/05 | CUSTOMER COPY | | TITLE | 1mm SPACING CONNECTOR FOR CIC (Cat. No. :HLW__S-6C7LF) | | | | | | | | | | | | | | |
| | ±0.2 | ENGR | <i>[Signature]</i> | | 10/21/05 | THIRD ANGLE PROJ | | PRODUCT FAMILY | 58JF | | | | | | | | | | | | | | |
| | | CHK | <i>[Signature]</i> | | 10/21/05 | UNIT | MM INCH | CODE JP | | | | | | | | | | | | | | | |
| ANGLES | | APPD | <i>[Signature]</i> | | 11/1/05 | | | SCALE | SIZE | DWG. NO. | REV | SHEET | | | | | | | | | | | |
| DO NOT SCALE PRINT | | | | | | | | | | | | | THIS INFORMATION IS CONFIDENTIAL AND IS DISCLOSED TO YOU ON CONDITION THAT NO FURTHER DISCLOSURE IS MADE BY YOU TO OTHER THAN FCI PERSONNEL WITHOUT WRITTEN AUTHORIZATION FROM FCI JAPAN K.K. | SCALE | SIZE | DWG. NO. | REV | SHEET | | | | | |
| DF-140A REV A | | | | | | | | | | | | | SC | A | JSA 96408 | B | 1 of 1 | | | | | | |

SC-HLW 06 JSA96404

| REVISIONS | | | | |
|-----------|--------------|----------|-----|---------|
| REV | DESCRIPTION | ECN | BY | DATE |
| AA | Changed form | J05-0270 | H.T | 5/11/05 |

RECOMMENDED CABLE (CIC)

n : NO. OF CONDUCTORS



| PT. NO. | DESCRIPTION | MATERIAL | THICKNESS (μm) | |
|---------|-----------------|--------------------------------------|----------------|-----|
| | | | | |
| 1 | BASE FILM | POLYESTER OR EQUIVALENT | 75 | 25 |
| 2 | CONDUCTOR | CARBON PASTE OVER SILVER PASTE | 10 MIN. | |
| 3 | OVERLAY | POLYIMIDE OR POLYESTER OR EQUIVALENT | — | |
| 4 | SUPPORTING TAPE | POLYESTER OR POLYIMIDE OR EQUIVALENT | 188 | 250 |

NOTES

1. NO BURR AT EACH PORTION.
2. NO PEELING IN COMMON USE.
3. TOTAL THICKNESS LIMIT OF EACH MATERIAL (INCLUDING ADHESIVE AGENT) IS SPECIFIED.

| | | | | | | | | | | | | | | | | |
|---------------------------------------|--------|---|--------------------|--|------|---------|-------------------|---|------|---|----------|----------|-----|----|-------|----|
| SHEET INDEX | ISSUE | AA | | | | | | | | | | | | | | |
| | SH NO. | 1 | | | | | | | | | | | | | | |
| TOLERANCES UNLESS OTHERWISE SPECIFIED | | DR | <i>J. Sasaki</i> | | DATE | 5/11/05 | CUSTOMER COPY | TITLE RECOMMENDED CABLE(CIC) (Cat. No. HLW__R/S-__) | | | | | | | | |
| LINEAR | | ENGR | <i>H. Sasaki</i> | | DATE | 5/13/05 | THIRD ANGLE PROJ. | | | | | | | | | |
| | | CHK | <i>H. Sasaki</i> | | DATE | 5/13/05 | UNIT | PRODUCT FAMILY 58JF | | | | | | | | |
| ANGLES | | APPD | <i>M. Hasegawa</i> | | DATE | 5/13/05 | MM INCH | CODE JP | | | | | | | | |
| DO NOT SCALE PRINT | | THIS INFORMATION IS CONFIDENTIAL AND IS DISCLOSED TO YOU ON CONDITION THAT NO FURTHER DISCLOSURE IS MADE BY YOU TO OTHER THAN FCI PERSONNEL WITHOUT WRITTEN AUTHORIZATION FROM FCI JAPAN K.K. | | | | | SCALE | 5/1 | SIZE | A | DWG. NO. | JSA93626 | REV | AA | SHEET | OF |
| DF-140A REV A | | | | | | | | | | | | | | | | |