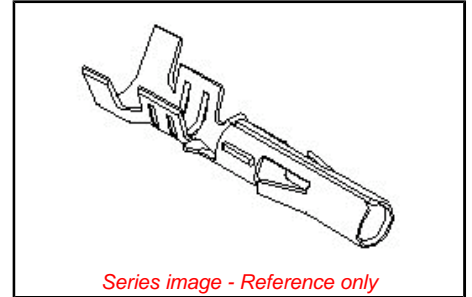


Part Number: [0002081202](#)
Status: **Active**
Overview: [Disk Drive Power Connector](#)
Description: Disk Drive Power Connection System, Female Crimp Terminal, Bag, Phosphor Bronze, 14-20 AWG



General

Product Family	Crimp Terminals
Series	8980
Overview	Disk Drive Power Connector
Product Name	Disk Drive Power

Physical

Durability (mating cycles) min	50 cycles
Gender	Female
Material - Metal	Phosphor Bronze
Material - Plating Mating	Tin
Material - Plating Termination	Tin
Packaging Type	Bag
Plating min: Mating (µin)	35
Plating min: Mating (µm)	0.89
Plating min: Termination (µin)	35
Plating min: Termination (µm)	0.89
Termination Interface: Style	Crimp or Compression
Wire Insulation Diameter	2.03-2.74mm (.080-.108")
Wire Size AWG	14
Wire Size AWG	16
Wire Size AWG	18
Wire Size AWG	20
Wire Size mm²	N/A

Material Info

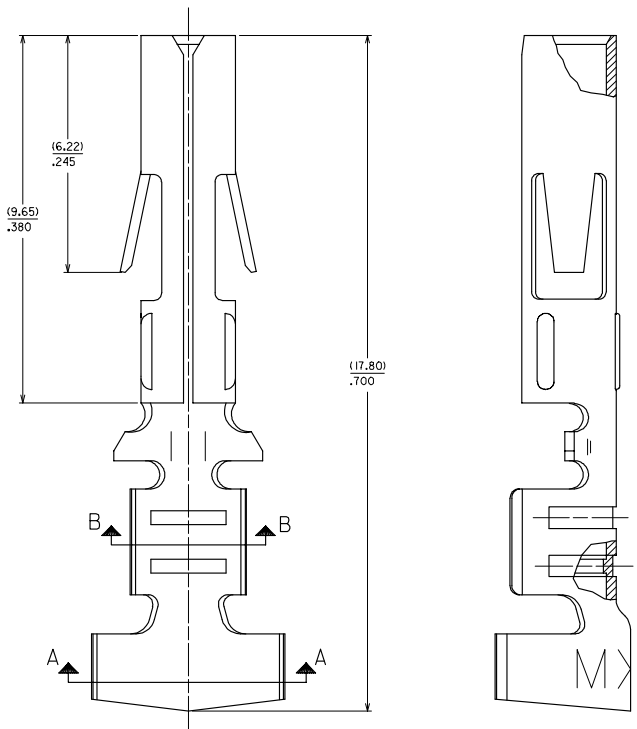
Old Part Number	8980-3L
-----------------	---------

EU RoHS
ELV and RoHS
Compliant

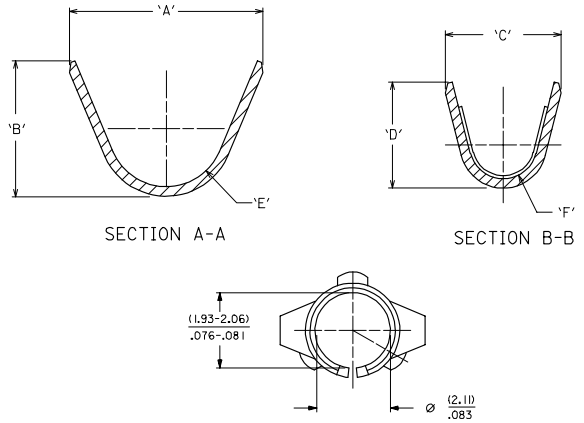
China RoHS



EDP NO.	ENG NO.	FORM	'A'	'B'	'C'	'D'	'E'	'F'
02-08-1201	8980-3C	CHAIN,14-20 AWG WIRE	(4,44)	(3,39)	(3,02)	(3,61)	(1,23)	(0,61)
02-08-1202	8980-3L	LOOSE,14-20 AWG WIRE	.175	.133	.119	.142	.048	.024



NOTES:
 1. FINISH: (.00089)/.000035 MN. TIN OVER
 (.00051)/.000020 MN COPPER (COPPER PLATE REFLOWED)
 2. MATERIAL: (.025)/.010 THK PHOS
 BRONZE, ALLOY CA 51000.



OBS060702 EC NO. S2007-0797 DRAWING: MAMARLY 2007/03/30 CHKD: SKANG 2007/04/03 APPR: HLONG 2007/04/03	QUALITY SYMBOLS	GENERAL TOLERANCES (UNLESS SPECIFIED) <table border="1"> <thead> <tr> <th></th> <th>mm</th> <th>INCH</th> </tr> </thead> <tbody> <tr> <td>4 PLACES</td> <td>± ---</td> <td>± ---</td> </tr> <tr> <td>3 PLACES</td> <td>± ---</td> <td>± .010</td> </tr> <tr> <td>2 PLACES</td> <td>± 0.25</td> <td>± ---</td> </tr> <tr> <td>1 PLACE</td> <td>± ---</td> <td>± ---</td> </tr> <tr> <td colspan="3">ANGULAR ± 1 °</td> </tr> </tbody> </table>		mm	INCH	4 PLACES	± ---	± ---	3 PLACES	± ---	± .010	2 PLACES	± 0.25	± ---	1 PLACE	± ---	± ---	ANGULAR ± 1 °			DIMENSION STYLE	SCALE	DESIGN UNITS	THIRD ANGLE PROJECTION
			mm	INCH																				
	4 PLACES		± ---	± ---																				
	3 PLACES		± ---	± .010																				
2 PLACES	± 0.25	± ---																						
1 PLACE	± ---	± ---																						
ANGULAR ± 1 °																								
DESCRIPTION	mm/IN	NTS	METRIC	TITLE: TERMINAL SOCKET DIA. (2.096)/.0825																				
REV	DRAFT WHERE APPLICABLE MUST REMAIN WITHIN DIMENSIONS	DRAWN BY: TAY 1987/12/15 CHECKED BY: AT 1987/12/15 APPROVED BY: AB 1987/12/15	MATERIAL NO. SEE TABLE	DOCUMENT NO. SD-8980-3*	MOLEX INCORPORATED SHEET NO. 1 OF 1																			
		THIS DRAWING CONTAINS INFORMATION THAT IS PROPRIETARY TO MOLEX INCORPORATED AND SHOULD NOT BE USED WITHOUT WRITTEN PERMISSION																						