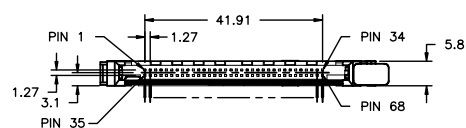
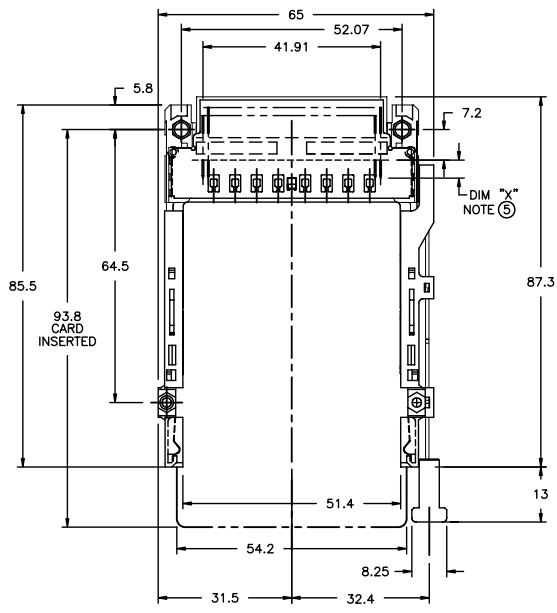
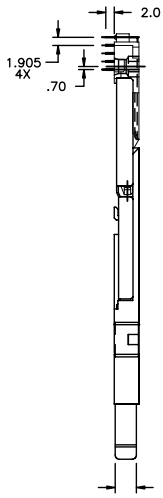


Tous droits strictement réservés. Reproduction ou communication a des tiers interdite sous quelque forme que ce soit sans autorisation écrite du propriétaire. Propriété de c FCI. Droits de reproduction FCI.

All rights strictly reserved. Reproduction or issue to third parties in any form whatever is not permitted without written authority from the proprietor. Property of FCI. Copyright FCI.

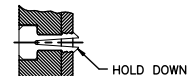
PRODUCT NO.
72206-000CA/000CALF
NOTE ③



NOTES:

- 1 8mm MIN CARD EJECT.
- 2 PUSH-ROD TRAVEL: 9.5mm
- 3 MATERIAL:
 - 3.1 HEADER ASSY: PLASTIC HOUSING: LCP UL94V-0 BLACK - ABOVE PCB
PIN: PHOSPHOR BRONZE
 - 3.2 EJECT MECHANISM ASSY: PLASTIC GUIDE: POLYPHTHARAMID UL94V-0 BLACK
PLASTIC PUSH-ROD BUTTON: POLYPHTHARAMID UL94V-0 BLACK
COVER PLATE, EJECT PLATE, LINK ARM, PUSH ROD: STAINLESS STEEL
EMI CONTACT: PHOSPHOR BRONZE
- 4 FINISH (PIN)
UNDER PLATING: 0.5um MIN Ni
CONTACT AREA: 0.1um MIN GOLD OVER
0.5um MIN Pd-Ni
SOLDER TAIL: 2.5umMIN Sn-Pb FOR TIN LEAD OPTION
2.5umMIN PURE TIN FOR LEAD FREE OPTION
- ⑤ DIM "X"

4.25±0.1	3.5±0.1	5.0±0.1
OTHERS	36,67	1,17,34,35,51,68
- 6 RECOMMENDED HOLD DOWN - 2mm SCREWS (95121-001) AND NUTS (92869-001).
RECOMMENDED SCREW TORQUE: 1.0 TO 1.5 MAX in-lbs. (1.2-1.7 cm-kgs).
- 7 SEE SHEET 3 FOR PCB LAYOUT INFORMATION.
- ⑧ ADD "H" TO PART NUMBER FOR OPTIONAL HOLD DOWN (2 PER EJECT MECHANISM).



- 9 IF LEAD FREE P/N.THE HOUSING WILL WITHSTAND EXPOSURE TO 260°C PEAK TEMPERATURE FOR 10 SECONDS IN A WAVE SOLDER APPLICATION WITH A 1.00MM MINIMUM THICK CIRCUIT BOARD.
- 10 IF LEAD FREE P/N.THE PRODUCT MEETS EUROPEAN UNION DIRECTIVES AND OTHER COUNTRY REGULATIONS AS DISCRIBED IN GS-22-008
- 11 LEAD FREE P/N PACKAGING MEETS GS-14-920 SPECIFICATION

mat'l. code				tolerances unless otherwise specified				CUSTOMER COPY		Electronics FCI www.fciconnect.com	
ltr	ecn no	dr	date	linear	angles	dr	engr	chr	appd	projection	title
A	V60726	RHG	4/29/96	.XX±.13	0° ±2'	R.GRAPE	D.BRANN	D.BRANN	D.BRANN	MM	R/A CARDBUS SINGLE DECK ASSEMBLY
B	V60810	RHG	5/24/96	.XXX±.051							product family MCS
C	V61089	RHG	7/2/96								size dwg no
D	V70389	RHG	3/25/97							1:1	72206
E	V12164	TFG	8/16/01								sheet 1 of 3
F	N05-0054	WB	03/02/09								
sheet index	revision sheet	F	F	F							cage code
		1	2	3							4

ACAD

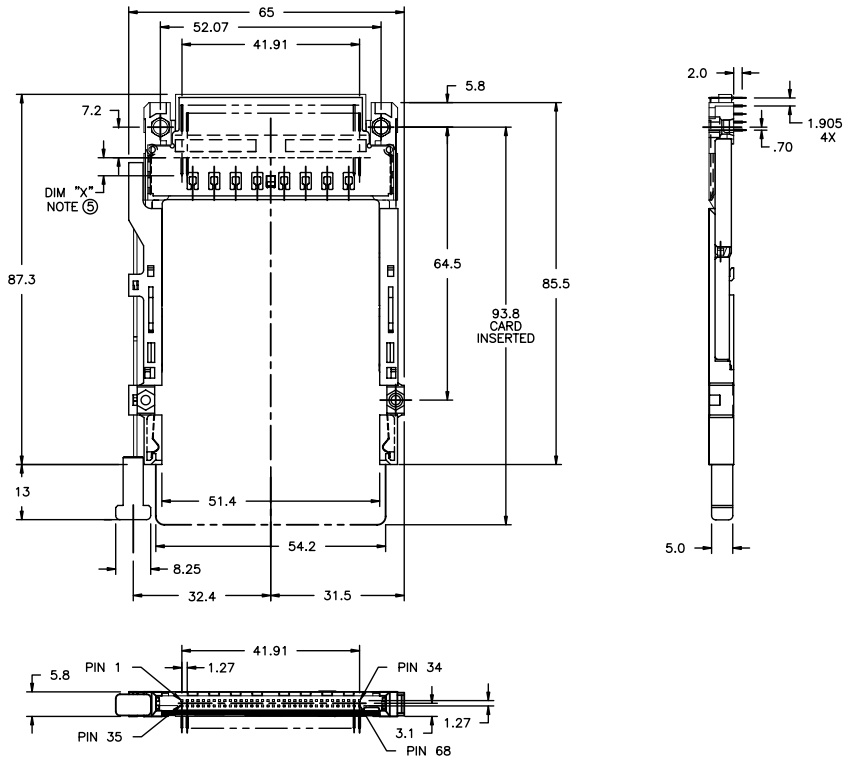
PDM: Rev:F

STATUS Released 26 Printed: Oct 12, 2010

Tous droits strictement réservés. Reproduction ou communication à des tiers interdite sous quelque forme que ce soit sans autorisation écrite du propriétaire. Propriété de c FCI. Droits de reproduction FCI.

All rights strictly reserved. Reproduction or issue to third parties in any form whatever is not permitted without written authority from the proprietor. Property of FCI. Copyright FCI.

PRODUCT NO.
72206-100CA/100CALF
NOTE ⑧



mat'l. code		tolerances unless otherwise specified		CUSTOMER COPY		 www.fciconnect.com	
ltr	ecn no	dr	date	linear	.XX±.13	projection	title
F				angles	.XXX±.051		R/A CARBUS SINGLE DECK ASSEMBLY
				dr	0° ±2'	MM	product family
				enrg	R.GRAPE 4/29/96	→	MCS
				chr	D.BRANN 4/29/96	←	size
				appd	D.BRANN 4/29/96	1:1	dwg no
sheet	revision						72206
index	sheet						code
							2 of

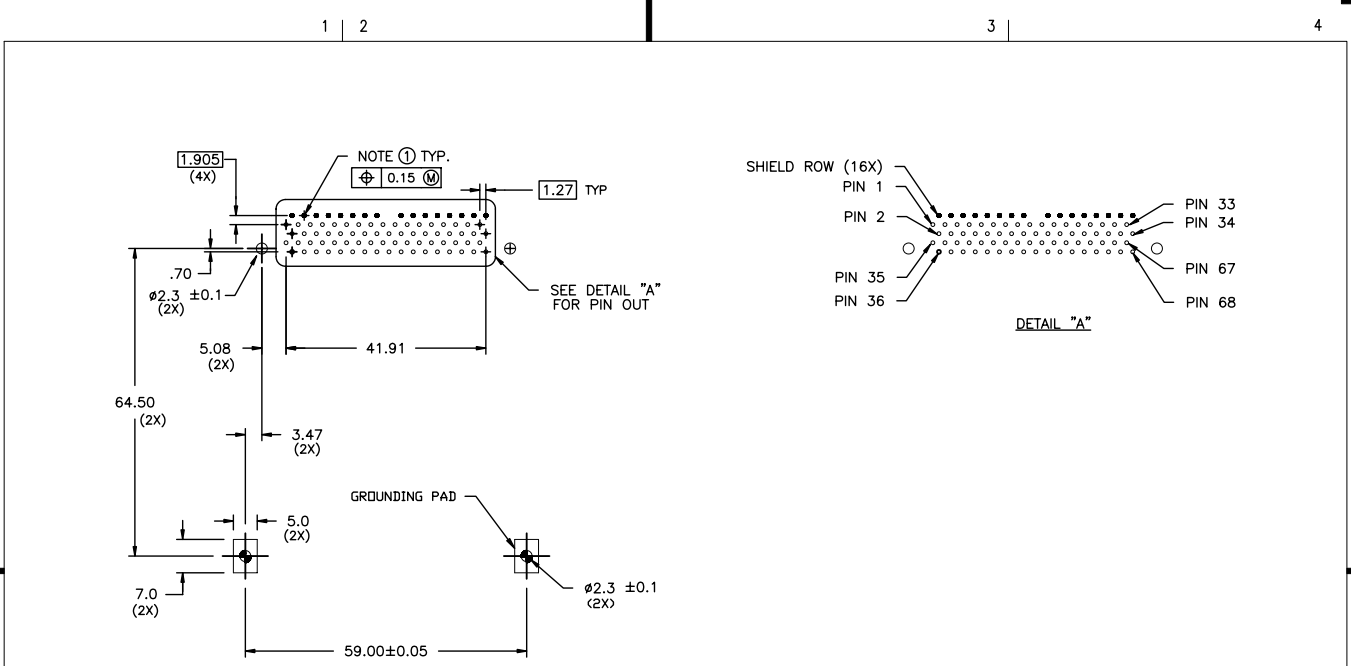
ACAD

PDM: Rev:F

STATUS Released 2.6 Printed: Oct 12, 2014

Tous droits strictement réservés. Reproduction ou communication à des tiers
interdite sous quelque forme que ce soit sans autorisation écrite du propriétaire.
Propriété de c FCI. Droits de reproduction FCI.

All rights strictly reserved. Reproduction or issue to third parties in any
form whatever is not permitted without written authority from the proprietor.
Property of FCI. Copyright FCI.



P.C.B. LAYOUT

NOTES:

- ① RECOMMENDED DIAMETER IS $\phi 1.0$. FOR PROCESSES USING PASTE REFLOW, HOLE MAY BE AS SMALL AS $\phi 0.79$.
- 2 ALL TOLERANCES ± 0.15 UNLESS NOTED.

mat'l. code		tolerances unless otherwise specified		CUSTOMER COPY		 www.fciconnect.com	
ltr	ecn no	dr	date	linear	.X±.3	projection	title
F					.XX±.13	 MM	R/A CARDBUS SINGLE DECK ASSEMBLY
				angles	.XXX±.051		product family
				dr	0° ±2'	size	dwg no
				engr	R.GRAPE 4/29/96	scale	72206
				chr	D.BRANN 4/29/96	1:1	code
				appd	D.BRANN 4/29/96		sheet
sheet index	revision sheet						3 of

1 | 2

ACAD

PDM: Rev:F

STATUS Released 2.6 Printed: Oct 12, 2014

B