

PRODUCT NO.  
92193

S		Revision Transfer to Nantong		J05-0215	M.H	4/25/06	REVISIONS			
REV	DESCRIPTION	ECN	BY	DATE						
T	REVISD (ADDED -*****LF)	N05-0127	WB	05/18/06						
U	ADD NEW P/N -120CAHLF	N07-0026	DT	1/29/07						
V	CORRECT WRONG DRAWING	N09-0163	SJH	6/3/09						
B	REVISED	V40163	M.K	6/26/04						
C	REVISED	V40740	M.K	6/26/04						
D	REVISED	V40840	M.K	7/5/04						
E	REVISED	V40198	M.K	7/19/04						
F	REVISED	V32120	M.K	12/27/04						
G	REVISED	V40349	M.K	1/20/05						
H	REVISED	V50242	M.K	1/18/05						
J	REVISED	V60956	M.K	7/29/06						
K	REVISED (ADDED-050CAH -130CA -130CAH)	U70134	K.S	8/8/07						
L	REVISED	N90076	M.K	7/22/09						
M	REVISED (ADDED-502FA)	N19159	M.K	11/11/09						
N	REVISED	025-0198	M.H	4/7/05						
P	REVISED	004-0826	M.H	4/25/05						
R	REVISED									

PRODUCT NO.	STAND	DIM "N"	PUSH ROD	HDR	HOLD DOWN	MECH ASSY	HDR ASSY	DIM "P"	HDR	SHEET	MOUNT STYLE TO PCB
92193-XXXXX	OFF(mm)	(mm)	COLOR	SOLDER TAIL		92192-XXXXX	92140-XXXX	(mm)	COLOR	NO.	& DIRECTION OF PUSH ROD
000AA	0	8	BLACK	R/A	NONE	00AA	000	2.8			
000CA	0	13	BLACK	R/A	NONE	00CA	000	2.8			
000CAH	0	13	BLACK	R/A	YES	00CAH	000H	2.8			
000CB	0	13	BLUE	R/A	NONE	00CB	000	2.8			
000CBH	0	13	BLUE	R/A	YES	00CBH	000H	2.8			
000FA	0	21	BLACK	R/A	YES	00FA	000	2.8			
001AA	0	8	BLACK	SMT STAGGERED	NONE	00AA	001	-	BLACK	NO.2	TOP MOUNT TO PCB & RIGHT PUSH ROD
001AAH	0	8	BLACK	SMT STAGGERED	YES	00AAH	001H	-			
001CA	0	13	BLACK	SMT STAGGERED	NONE	00CA	001	-			
001CAH	0	13	BLACK	SMT STAGGERED	YES	00CAH	001H	-			
001FA	0	21	BLACK	SMT STAGGERED	NONE	00FA	001	-			
001FAH	0	21	BLACK	SMT STAGGERED	YES	00FAH	001H	-			
002CA	0	13	BLACK	SMT IN LINE	NONE	00CA	002	-			
002CAH	0	13	BLACK	SMT IN LINE	YES	00CAH	002H	-			
020CA	2	13	BLACK	R/A	NONE	02CA	040	2.5			
040CA	4	13	BLACK	R/A	NONE	04CA	010	2.8			
050CA	5	13	BLACK	R/A	NONE	05CA	020	2.8			
050CAH	5	13	BLACK	R/A	YES	05CAH	020H	2.8			
100CA	0	13	BLACK	R/A	NONE	10CA	000	2.8			
100CAH	0	13	BLACK	R/A	YES	10CAH	000H	2.8			
101CA	0	13	BLACK	SMT STAGGERED	NONE	10CA	001	-			
101CAH	0	13	BLACK	SMT STAGGERED	YES	10CAH	001H	-			
101FA	0	21	BLACK	SMT STAGGERED	NONE	10FA	001	-			
101FAH	0	21	BLACK	SMT STAGGERED	YES	10FAH	001H	-			
102CA	0	13	BLACK	SMT IN LINE	NONE	10CA	002	-			
102CAH	0	13	BLACK	SMT IN LINE	YES	10CAH	002H	-			
120CA	2	13	BLACK	R/A	NONE	12CA	040	2.5			
120FA	2	21	BLACK	R/A	NONE	12FA	040	2.5			
130CA	3	13	BLACK	R/A	NONE	13CA	050	2.8			
130CAH	3	13	BLACK	R/A	YES	13CAH	050H	2.8			
140CA	4	13	BLACK	R/A	NONE	14CA	010	2.8			
150CA	5	13	BLACK	R/A	NONE	15CA	020	2.8			
500CA	0	13	BLACK	R/A	NONE	10CA	500	2.8			
500CAH	0	13	BLACK	R/A	YES	10CAH	500H	2.8			
500FA	0	21	BLACK	R/A	NONE	10FA	500	2.8			
501CA	0	13	BLACK	SMT STAGGERED	NONE	10CA	501	-			
501CAH	0	13	BLACK	SMT STAGGERED	YES	10CAH	501H	-	NATURAL	NO.6	BOTTOM MOUNT TO PCB & RIGHT PUSH ROD
502CA	0	13	BLACK	SMT IN LINE	NONE	10CA	502	-			
502CAH	0	13	BLACK	SMT IN LINE	YES	10CAH	502H	-			
502FA	0	21	BLACK	SMT IN LINE	NONE	10FA	502	-			
520CA	2	13	BLACK	R/A	NONE	12CA	540	2.5			
540CA	4	13	BLACK	R/A	NONE	14CA	510	2.8			
550CA	5	13	BLACK	R/A	NONE	15CA	520	2.8			
600CA	0	13	BLACK	R/A	NONE	00CA	500	2.8			
600CAH	0	13	BLACK	R/A	YES	00CAH	500H	2.8			
601CA	0	13	BLACK	SMT STAGGERED	NONE	00CA	501	-			
601CAH	0	13	BLACK	SMT STAGGERED	YES	00CAH	501H	-	NATURAL	NO.8	BOTTOM MOUNT TO PCB & LEFT PUSH ROD
602CA	0	13	BLACK	SMT IN LINE	NONE	00CA	502	-			
602CAH	0	13	BLACK	SMT IN LINE	YES	00CAH	502H	-			
620CA	2	13	BLACK	R/A	NONE	02CA	540	2.5			
640CA	4	13	BLACK	R/A	NONE	04CA	510	2.8			
650CA	5	13	BLACK	R/A	NONE	05CA	520	2.8			

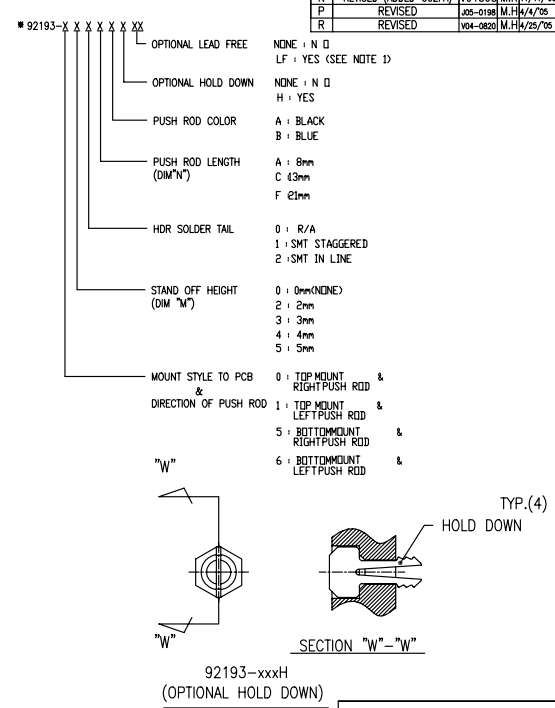
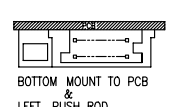
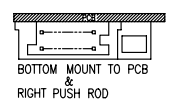
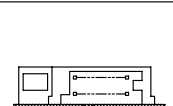
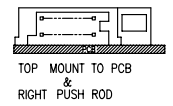
△

△

△

△

△



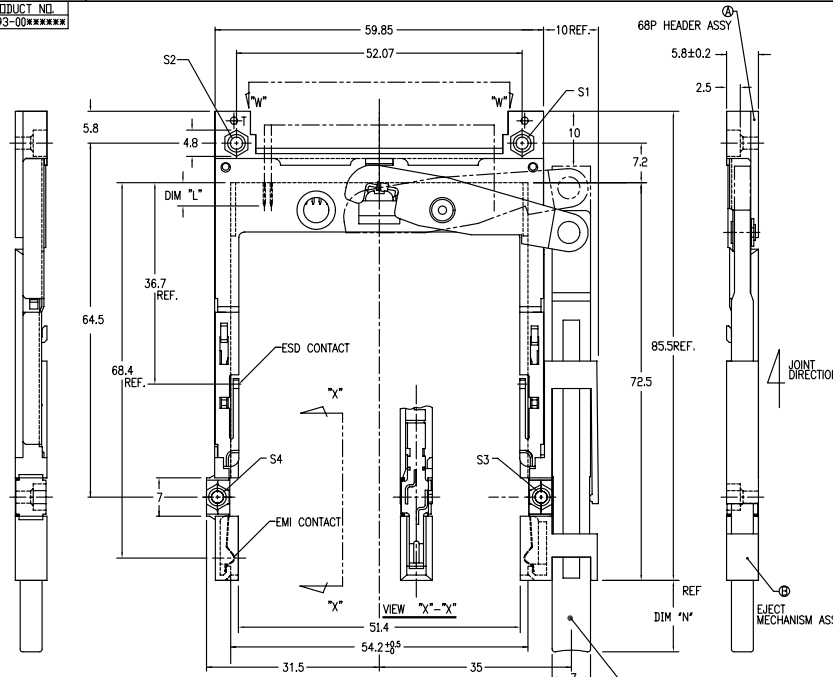
NOTE  
1. THIS PRODUCT MEETS EUROPEAN UNION DIRECTIVES AND OTHER COUNTRY REGULATIONS AS DESCRIBED IN GS-22-008.

SHEET INDEX	ISSUE	DATE		CUSTOMER COPY		TITLE	
SH NO.	SH NO.	MAY	10/16/06	Hasegawa	68P EJECTOR HEADER ASSY FOR TYPE I/II/III (FOR 5.0V)		
TOLERANCES UNLESS OTHERWISE SPECIFIED							
LINEAR	FINISH						
ANGLES							

FCJ  
DO NOT SCALE PRINT THIS INFORMATION IS CONFIDENTIAL AND IS DISCLOSED TO YOU ON CONDITION THAT NO FURTHER DISCLOSURE IS MADE BY YOU TO OTHER THAN FCJ PERSONNEL WITHOUT WRITTEN AUTHORIZATION FROM FCJ JAPAN K.K.

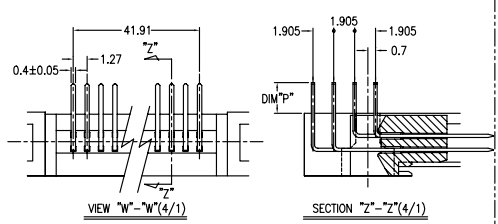


PRODUCT NO.  
92193-00\*\*\*\*\*

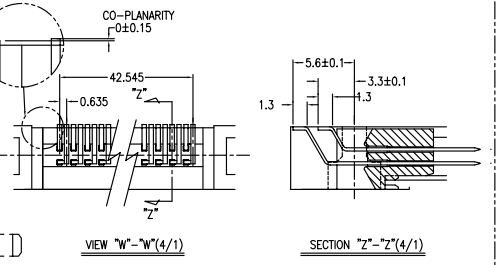


REVISIONS			
REV	DESCRIPTION	ECN	BY DATE
L	REVISED	J05-0198	M.H. 4/4/95
M	REVISED	104-0820	M.H. 4/25/95
T	REVISED (ADDED -*****LF)	105-0127	RB 1/25/98/95
U	REVISED		
V	REVISED		
G	REVISED	J40198	M.K. 1/29/94
H	REVISED	J40349	M.K. 1/9/95
J	REVISED	J50242	M.K. 1/18/95
K	REVISED	J70134	K.S. 8/8/97

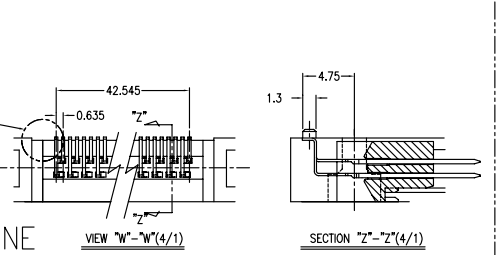
PRODUCT NO.	REVISION
92193-000AA/000AALF	△
92193-000CA/000CALF	△
92193-000CB/000CBLF	△
92193-000CH/000CHLF	△
92193-000FA/000FALF	△



PRODUCT NO.	REVISION
92193-001AA	△
92193-001AAH	△
92193-001CA	△
92193-001CAH	△
92193-001FA	△
92193-001FAH	△



PRODUCT NO.	REVISION
92193-002CA	△
92193-002CAH	△



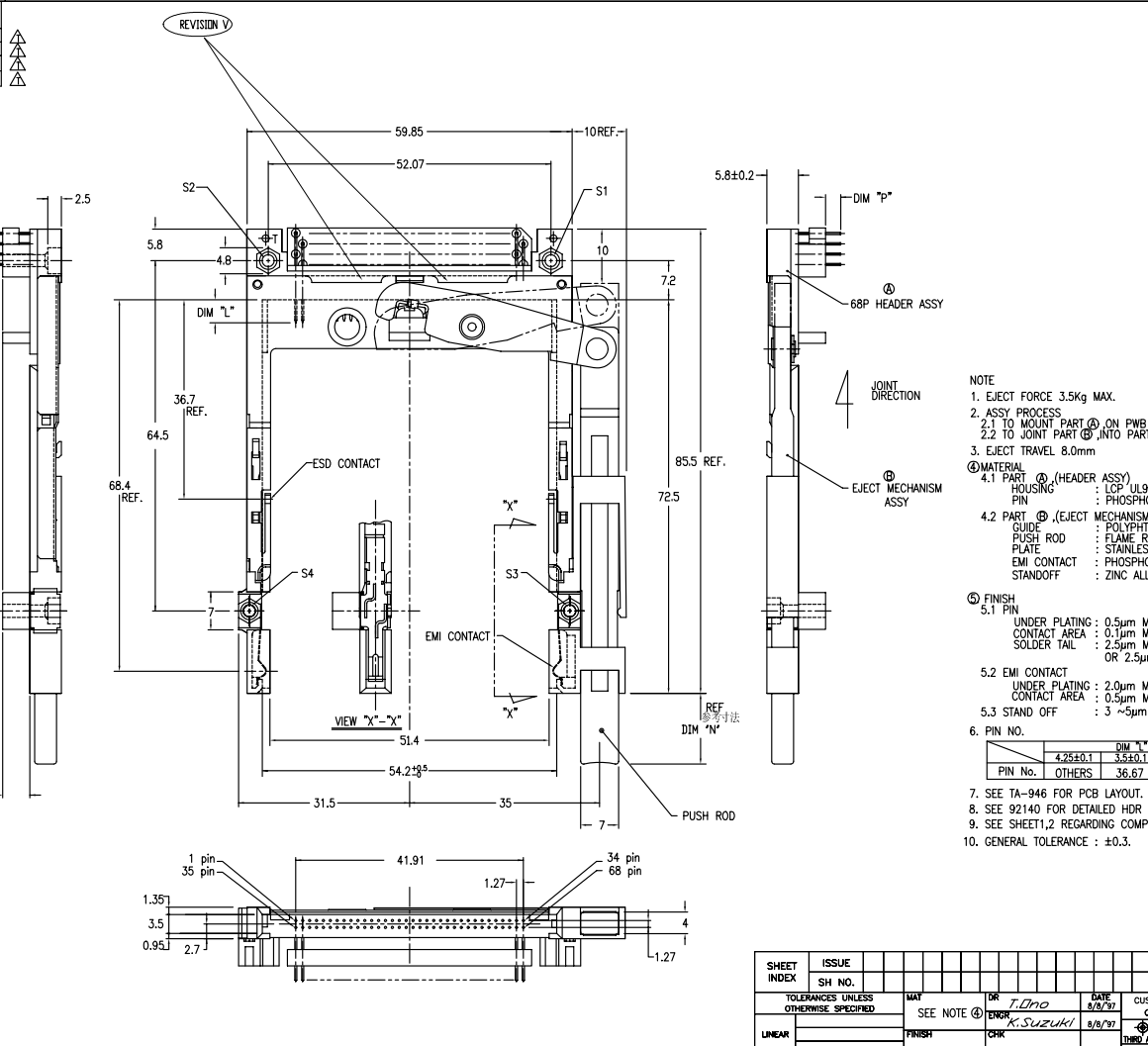
- NOTE
- EJECT FORCE 3.5Kg MAX.
  - ASSY PROCESS
    - TO MOUNT PART ① ON PWB WITH SCREW (S1,S2) AND SOLDER.
    - TO JOINT PART ② INTO PART ①, THEN FIX PART ③ WITH 2 SCREWS (S3,S4).
  - EJECT TRAVEL 8.0mm
- ④ MATERIAL
- PART ① (HEADER ASSY)
    - HOUSING : LCP UL94V-0
    - PIN : PHOSPHOR BRONZE
  - PART ② (EJECT MECHANISM ASSY)
    - PUSH ROD : POLYPHTHARAMID UL94V-0 BLACK
    - PLATE : FLAME RETARDANT UL94V-0
    - EMI CONTACT : STAINLESS
    - EMI CONTACT : PHOSPHOR BRONZE
  - OPTIONAL HOLD-DOWN : BRASS
- ⑤ FINISH 5.1 PIN
- | PIN NO. | DIM "L"  |                   |
|---------|----------|-------------------|
|         | 4.25±0.1 | 3.5±0.1           |
| OTHERS  | 36.67    | 17.24<br>32.41.68 |
- SEE TA-946 FOR PCB LAYOUT.
  - SEE 92140 FOR DETAILED HDR DIMENSION.
  - SEE SHEET 1,2 REGARDING COMPONENTS.
  - GENERAL TOLERANCE : ±0.3

SHEET INDEX	ISSUE SH. NO.	DATE	CUSTOMER COPY	TITLE	PRODUCT FAMILY	SCALE	SIZE	DWG. NO.	REV. SHEET
		1/25/05		68P EJECTOR HEADER ASSY FOR TYPE I/II/III (FOR 5.0V)	Header PCMCIA	2/1	C	92193	3 OF



DO NOT SCALE PRINT THIS INFORMATION IS CONFIDENTIAL AND IS DISCLOSED TO YOU ON CONDITION THAT NO FURTHER DISCLOSURE IS MADE BY YOU TO OTHER THAN FCJ PERSONNEL WITHOUT WRITTEN AUTHORIZATION FROM FCJ JAPAN K.K.

PRODUCT NO.
92193-020CA/020CALF
92193-040CA/040CALF
92193-050CA/050CALF
92193-050CAH/050CAHLF



REVISIONS				
REV	DESCRIPTION	ECN	BY	DATE
A	RELEASED	J30022	N.T	0/19/93
B	REVISED	J40163	M.K	5/28/94
C	REVISED	V40840	M.K	7/ 5/94
D	REVISED	V32120	M.K	12/21/94
E	REVISED	J40349	M.K	1/19/95
F	REVISED	J50242	M.K	1/18/95
G	REVISED (ADDED-050CAH)	J70134	K.S	1/18/97
T	REVISED (ADDED-*****LF)	M5-0127	W6	1/25/18/05
U				
V				

- NOTE
- EJECT FORCE 3.5Kg MAX.
  - ASSY PROCESS
    - TO MOUNT PART ② ON PWB WITH SCREW (S1,S2) AND SOLDER
    - TO JOINT PART ③ INTO PART ② THEN FIX PART ② WITH 2 SCREWS (S3,S4).
  - EJECT TRAVEL 8.0mm
  - MATERIAL
    - PART ② (HEADER ASSY)
      - HOUSING : LCP UL94V-0
      - PIN : PHOSPHOR BRONZE
    - PART ③ (EJECT MECHANISM ASSY)
      - GUIDE : POLYPHTHALAMID UL94V-0 BLACK
      - PUSH ROD : FLAME RETARDANT UL94V-0
      - PLATE : STAINLESS
      - EMI CONTACT : PHOSPHOR BRONZE
      - STANDOFF : ZINC ALLOYS DIE CASTING
  - FINISH
    - PIN
      - UNDER PLATING : 0.5µm MIN. Ni
      - CONTACT AREA : 0.1µm MIN. Au OVER 0.5µm MIN. Pd-Ni
      - SOLDER TAIL : 2.5µm MIN. Sn-Pb
      - OR 2.5µm MIN. PURE Sn.(FOR \*\*\*\*\*LF)
    - EMI CONTACT
      - UNDER PLATING : 2.0µm MIN. Ni
      - CONTACT AREA : 0.5µm MIN. Au
    - STAND OFF : 3 ~5µm Ni, OVER 5 ~10µm Cu.
- | DIM 'L'  |            |
|----------|------------|
| 4.25±0.1 | 3.5±0.1    |
| 5.0±0.1  | 1.1±0.1    |
| DIM 'M'  |            |
| 4.25±0.1 | 3.5±0.1    |
| 5.0±0.1  | 1.1±0.1    |
| DIM 'N'  |            |
| 36.67    | 35.51±0.08 |
- SEE TA-946 FOR PCB LAYOUT.
  - SEE 92140 FOR DETAILED HDR DIMENSION.
  - SEE SHEET1,2 REGARDING COMPONENTS.
  - GENERAL TOLERANCE : ±0.3.

DF-003A REV C

DO NOT SCALE PRINT THIS INFORMATION IS CONFIDENTIAL AND IS DISCLOSED TO YOU ON CONDITION THAT NO FURTHER DISCLOSURE IS MADE BY YOU TO OTHER THAN BENG PERSONNEL WITHOUT WRITTEN AUTHORIZATION FROM BENG ELECTRONICS JAPAN K.K.

SHEET INDEX	ISSUE	DATE	CUSTOMER	TITLE	SCALE	SIZE	DWG. NO.	REV	SHEET
	SH NO.			68P EJECTOR HEADER ASSY FOR TYPE I/II/III (FOR 5.0V)	2/1	C	92193	V	4 of
TOLERANCES UNLESS OTHERWISE SPECIFIED		MAI	DR T.DMO	DATE 8/8/97	COPY				
LINEAR		FINISH	CHK K.SUZUKI	8/8/97	THIRD ANGLE PROJ				
ANGLES		SEE NOTE ①	APPD		UNIT				

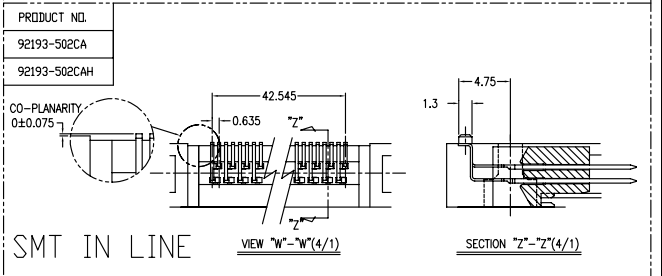
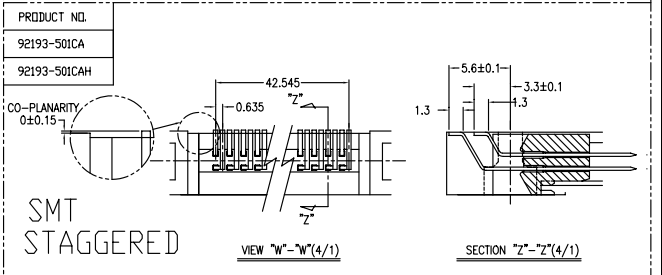
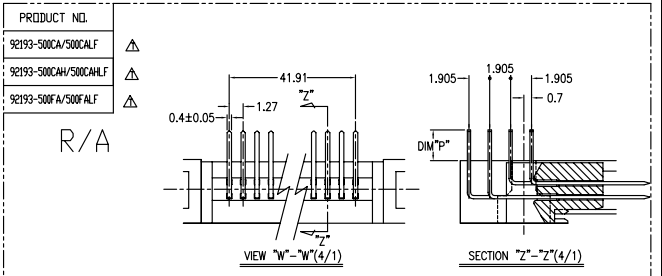
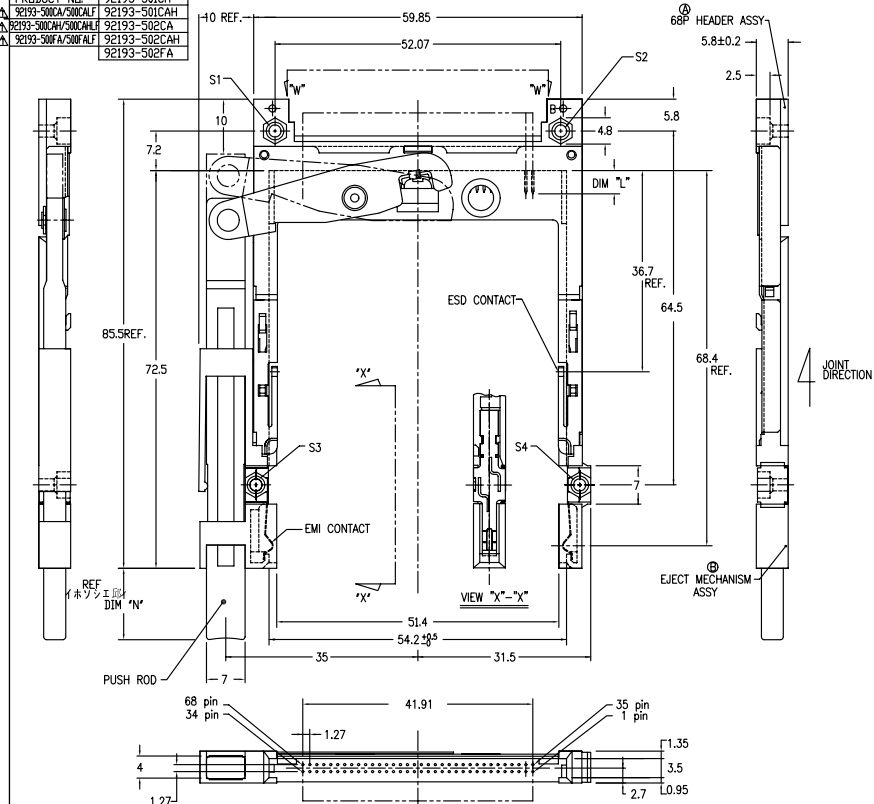
PDM: Rev:V STATUS Released Printed: Oct 12, 2010





PRODUCT NO.	92193-501CA
△ 92193-500CA/500CALF	92193-501CAH
△ 92193-500CAH/500CAHLF	92193-502CA
△ 92193-500FA/500FALF	92193-502CAH
	92193-502FA

REVISIONS			
REV	DESCRIPTION	ECN	BY DATE
J	REVISED	V68956	M.K. 11/29/99
H	REVISED	V32120	M.K. 12/27/94
G	REVISED	J40349	M.K. 1/9/95
F	REVISED	J50242	M.K. 6/18/95
E	REVISED	V68956	M.K. 7/29/96
D	REVISED	J70134	K.S. 8/8/97



- NOTE
- EJECT FORCE 3.5kg MAX.
  - ASSY PROCESS
    - TO MOUNT PART ④ ON PWB WITH SCREW (S1,S2) AND SOLDER.
    - TO JOINT PART ④ INTO PART ④, THEN FIX PART ④ WITH 2 SCREWS (S3,S4).
    - EJECT TRAVEL 8.0mm
  - EJECT MECHANISM ASSY
    - FINISH
      - 5.1 PIN
        - UNDER PLATING : 0.5µm MIN. Ni
        - CONTACT AREA : 0.1µm MIN. Au OVER 0.5µm MIN. Pd-Ni
        - SOLDER TAIL : 2.5µm MIN. Sn-Pb OR 2.5µm MIN. PURE Sn, (FOR -\*\*\*\*\*LF)
      - EMI CONTACT
        - UNDER PLATING : 2.0µm MIN. Ni
        - CONTACT AREA : 0.5µm MIN. Au
      - OPTIONAL HOLD-DOWN : 2.5µm MIN. PURE Sn
      - PIN NO.
 

	DIM 'L'
4.25±0.1	3.5±0.1
5.0±0.1	3.5±0.1
OTHERS	36.67
	35.51.68
  - SEE TA-946 FOR PCB LAYOUT.
  - SEE 92140 FOR DETAILED HDR DIMENSION.
  - SEE SHEET.2 REGARDING COMPONENTS.
  - GENERAL TOLERANCE : ±0.3.

SHEET INDEX	ISSUE	DATE	CUSTOMER	TITLE
	SH NO.	11/11/99		68P EJECTOR HEADER ASSY FOR TYPE I/II/III (FOR 5.0V)
TOLERANCES UNLESS OTHERWISE SPECIFIED	SEE NOTE ④	DR T.Dno	COPY	SCALE
LINEAR	FINISH	CHK M.Ka, Nura	UNIT	2/1
	SEE NOTE ⑤	APPD	SCALE	SIZE DWG. NO. 92193
ANGLES			REV SHEET	V 17 OF

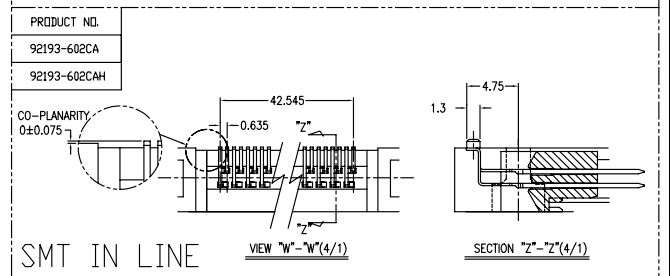
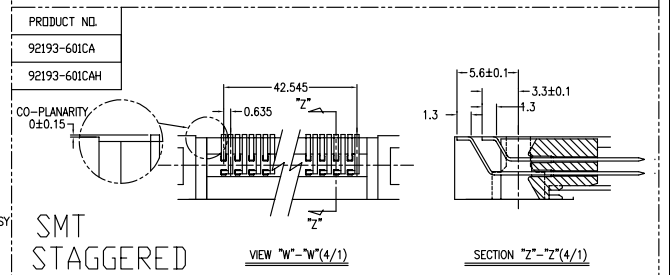
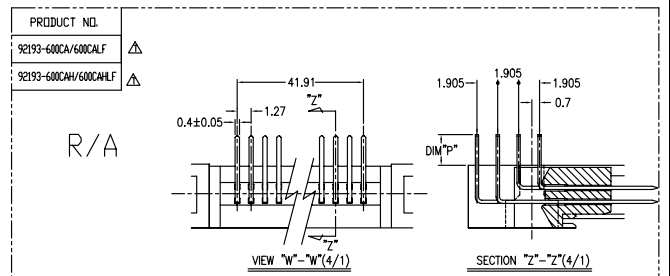
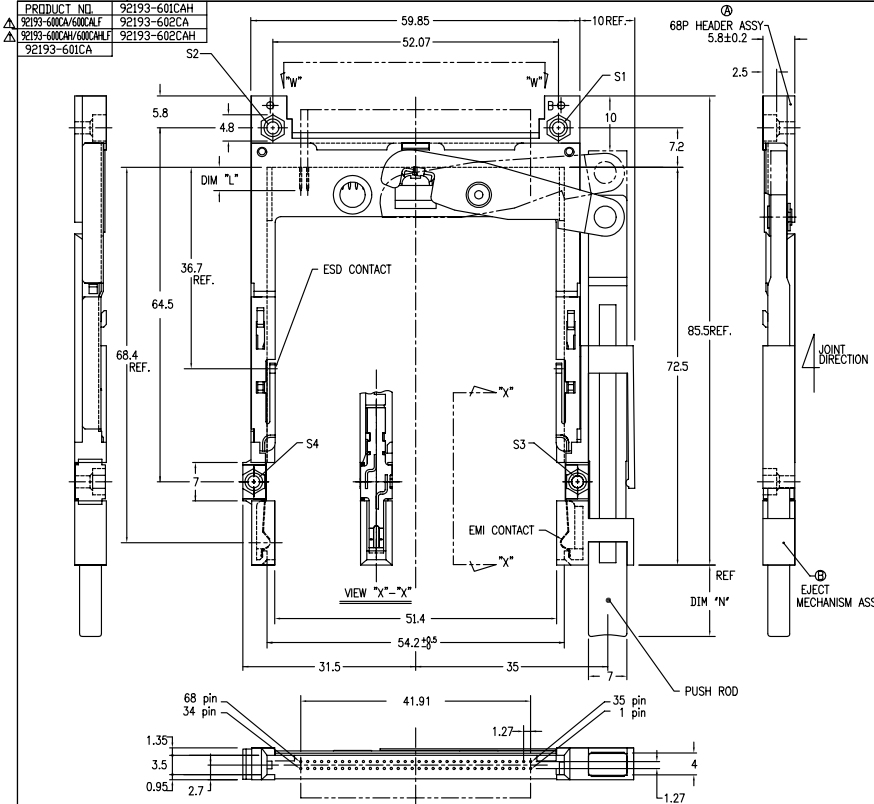
PDM: Rev:V STATUS Released Printed: Oct 12, 2010





PRODUCT NO.	92193-601CAH
92193-600CA/600CALF	92193-602CA
92193-600WH/600CHLF	92193-602CAH
92193-601CA	

T		REVISED (ADDED -*****LF)		WS-0127		NS		J05/18/95	
REV	DESCRIPTION	ECN	BY	DATE					
U	REVISED	140340	M.K.I	9/94					
V	REVISED	132120	M.K.I	2/27/94					
F	REVISED	140349	M.K.I	9/95					
G	REVISED	150242	M.K.I	9/95					
H	REVISED	170134	K.S	8/97					



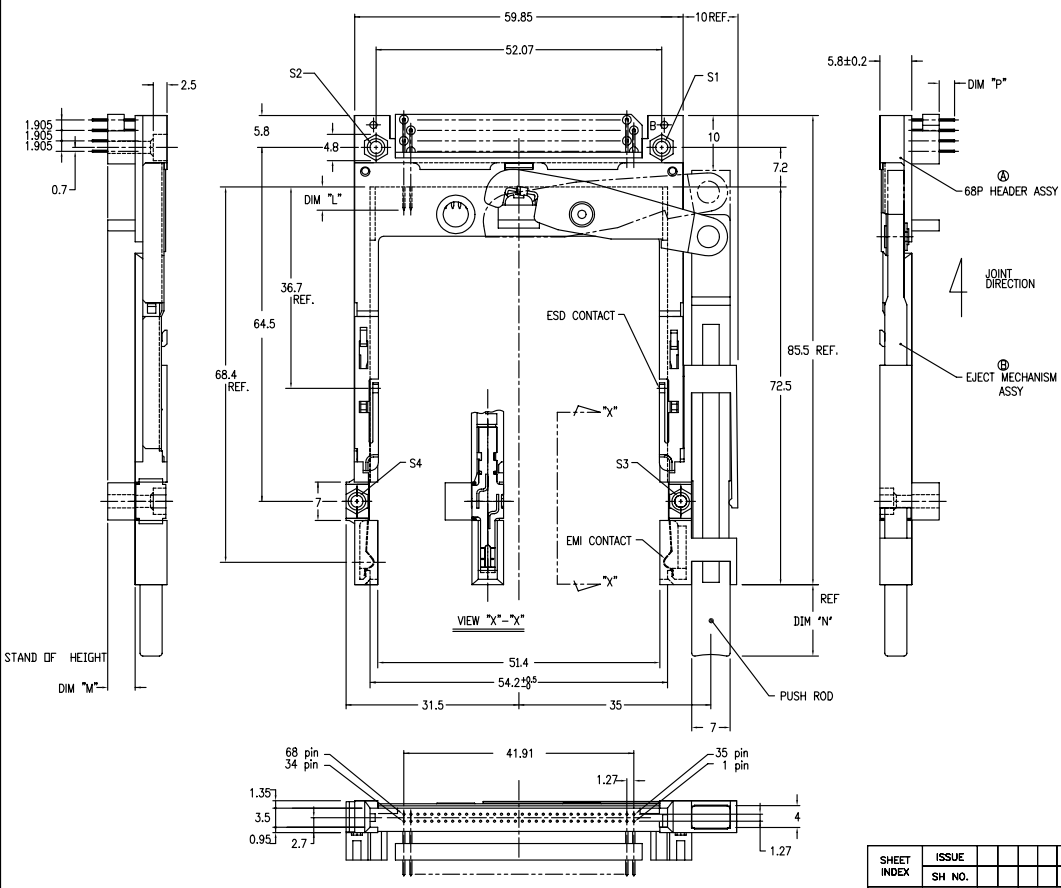
- NOTE
- EJECT FORCE 3.5Kg MAX.
  - ASSY PROCESS
    - TO MOUNT PART ④ ON PWB WITH SCREW (S1,S2) AND SOLDER.
    - TO JOINT PART ④ INTO PART ④, THEN FIX PART ④ WITH 2 SCREWS (S3,S4).
  - EJECT TRAVEL 8.0mm
- ④ MATERIAL
- PART ④ (HEADER ASSY)
    - HOUSING : LCP UL94V-0
    - PIN : PHOSPHOR BRONZE
  - PART ④ (EJECT MECHANISM ASSY)
    - GUIDE : POLYPHTHARAMID UL94V-0 BLACK
    - PUSH ROD : FLAME RETARDANT UL94V-0
    - PLATE : STAINLESS
    - EMI CONTACT : PHOSPHOR BRONZE
  - OPTIONAL HOLD-DOWN : BRASS
- ⑤ FINISH
- PIN
    - UNDER PLATING : 0.5µm MIN. Ni
    - CONTACT AREA : 0.1µm MIN. Au OVER 0.5µm MIN. Pd-Ni
    - SOLDER TAIL : 2.5µm MIN. Sn-Pb OR 2.5µm MIN. PURE Sn, (FOR -\*\*\*\*\*LF)
  - EMI CONTACT
    - UNDER PLATING : 2.0µm MIN. Ni
    - CONTACT AREA : 0.5µm MIN. Au
  - OPTIONAL HOLD-DOWN : 2.5µm MIN. PURE Sn
6. PIN NO.
- |         | DIM 'L'  |         |         |
|---------|----------|---------|---------|
| PIN NO. | OTHERS   | 36,67   | 35,67   |
|         | 4.25±0.1 | 3.5±0.1 | 5.0±0.1 |
|         |          | 17.95   | 35.67   |
- SEE TA-946 FOR PCB LAYOUT.
  - SEE 92140 FOR DETAILED HDR DIMENSION.
  - SEE SHEET 1.2 REGARDING COMPONENTS.
  - GENERAL TOLERANCE : ±0.3

SHEET INDEX	ISSUE	DATE	CUSTOMER	TITLE
				68P EJECTOR HEADER ASSY FOR TYPE I/II/III (FOR 5.0V)
				SCALE: SIZE DWG. NO. 92193
				REV SHEET 9 OF 9

PDM: Rev:V STATUS Released Printed: Oct 12, 2010

PRODUCT NO.  
 Δ 92193-620CA/620CALF  
 Δ 92193-640CA/640CALF  
 Δ 92193-650CA/650CALF

REVISIONS				
REV	DESCRIPTION	ECN	BY	DATE
A	RELEASED	J33022	N.T	01/19/93
B	REVISED	J40163	M.K	5/28/94
C	REVISED	V40840	M.K	7/ 5/94
D	REVISED	V32120	M.K	12/21/94
E	REVISED	J40349	M.K	1/16/95
F	REVISED	J50242	M.K	9/18/95
T	REVISED (ADDED -*****LF)	W5-0127	W5	05/18/95
U				
V				



NOTE

- EJECT FORCE 3.5Kg MAX.
- ASSY PROCESS  
 2.1 TO MOUNT PART ② ON PWB WITH SCREW (S1,S2) AND SOLDER  
 2.2 TO JOINT PART ③ INTO PART ② THEN FIX PART ④ WITH 2 SCREWS (S3,S4).
- EJECT TRAVEL 8.0mm
- MATERIAL  
 ④ MATERIAL ② (HEADER ASSY)  
 HOUSING : LCP UL94V-0  
 PIN : PHOSPHOR BRONZE  
 ④.2 PART ③ (EJECT MECHANISM ASSY)  
 GUIDE : POLYPHTHARAMID UL94V-0 BLACK  
 PUSH ROD : FLAME RETARDANT UL94V-0  
 PLATE : STAINLESS  
 EMI CONTACT : PHOSPHOR BRONZE  
 STANDOFF : ZINC ALLOYS DIE CASTING
- FINISH  
 5.1 PIN  
 UNDER PLATING : 0.5μm MIN. Ni  
 CONTACT AREA : 0.1μm MIN. Au OVER 0.5μm MIN. Pd-Ni  
 SOLDER TAIL : 2.5μm MIN. Sn-Pb  
 OR 2.5μm MIN. PURE Sn.(FOR -\*\*\*\*\*LF)  
 5.2 EMI CONTACT  
 UNDER PLATING : 2.0μm MIN. Ni  
 CONTACT AREA : 0.5μm MIN. Au  
 5.3 STAND OFF : 3 ~5μm Ni, OVER 5 ~10μm Cu.
- PIN NO.

	DIM 'N'		
	4.25±0.1	3.5±0.1	5.0±0.1
PIN No.	36.67	33.57	36.67

- SEE TA-946 FOR PCB LAYOUT.
- SEE 92140 FOR DETAILED HDR DIMENSION.
- SEE SHEET 1,2 REGARDING COMPONENTS.
- GENERAL TOLERANCE : ±0.3

DF-003A REV. C  
 DO NOT SCALE PRINT THIS INFORMATION IS CONFIDENTIAL AND IS DISCLOSED TO YOU ON CONDITION THAT NO FURTHER DISCLOSURE IS MADE BY YOU TO OTHER THAN BENG PERSONNEL WITHOUT WRITTEN AUTHORIZATION FROM BENG ELECTRONICS JAPAN K.K.

SHEET INDEX	ISSUE	SH NO.	DATE	CUSTOMER	TITLE
					68P EJECTOR HEADER ASSY FOR TYPE 1/L/II (FOR 5.0V)
LINEAR	FINISH	SEE NOTE ④	DR T. Imai ta 9/19/95	COPY	SCALE: 2/1
		SEE NOTE ④	CHK M. K. Iwata 9/18/95	UNIT	SIZE DWG. NO. 92193
			APPD	REV SHEET	V 10 of 10

PDM: Rev:V STATUS Released Printed: Oct 12, 2010