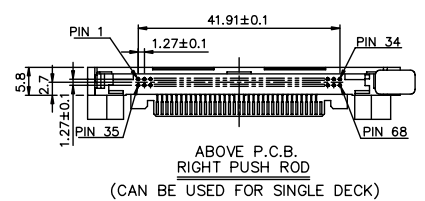
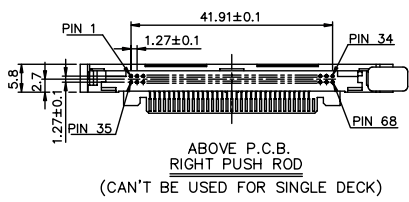
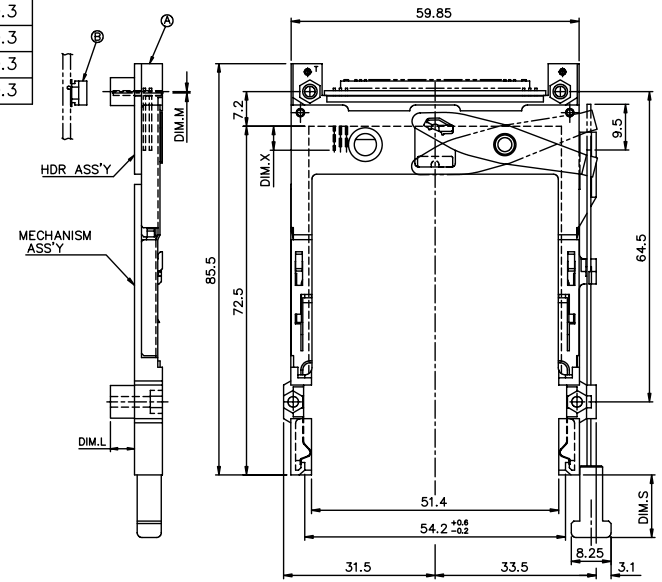
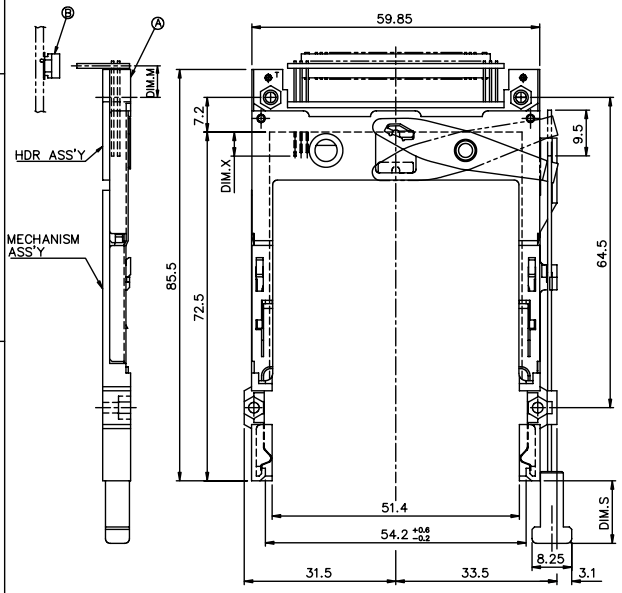


Tous droits strictement réservés. Reproduction ou communication à des tiers sans autorisation écrite du propriétaire.
 All rights strictly reserved. Reproduction or communication to third parties in any form without written authority from the proprietor.
 Copyright BERG ELECTRONICS S.A.
 Droits de reproduction BERG ELECTRONICS S.A.

All rights strictly reserved. Reproduction or communication to third parties in any form without written authority from the proprietor.
 Copyright BERG ELECTRONICS S.A.

PRODUCT NO.	DIM.M
95547-005**	10.0
95547-025**	9.0
95547-045**	6.55
95547-055**	6.55

PRODUCT NO.	DIM.M
95547-020**	2.15
95547-040**	-0.3
95547-050**	-0.3
95547-050**H	-0.3
95547-250**	-0.3



mat'l code		tolerance unless otherwise specified		CUSTOMER COPY		FCI		www.fciconnect.com		
rev.	ecr no.	dr	date	linear	±0.30	projection	title			
N	N06-0034	M	Z 02/14/06				EJECTOR HEADER ASS'Y			
H	T00234	WL	07/28/04	angles	± 2°		5.0V, SMT TYPE 1/2/3			
J	T00374	WL	12/26/03	dr	WENDY CHEN 01/27/99	unit	product family			
K	T10149	WL	05/18/01	enrg	JOSEPH HSIA 01/27/99	mm/inch	size		code	
L	T03-0209	WL	06/02/03	chr	JOSEPH HSIA 01/27/99	scale	A3	95547	sheet 1 of 12	
M	N04-0092	WB	12/01/04	appd	JENN TSAO 01/27/99					
sheet	revision	L	M	L	N	L	M	M	N	L
index	sheet	1	2	3	4	5	6	7	8	9

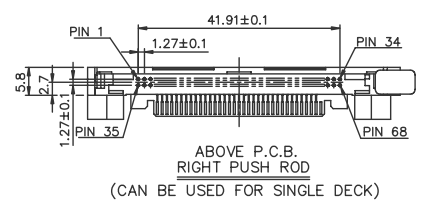
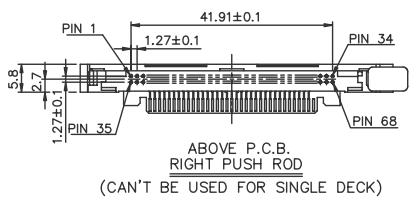
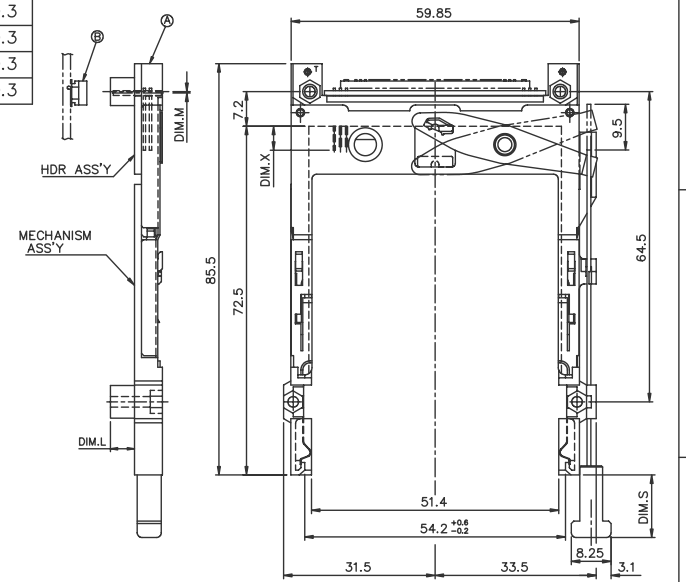
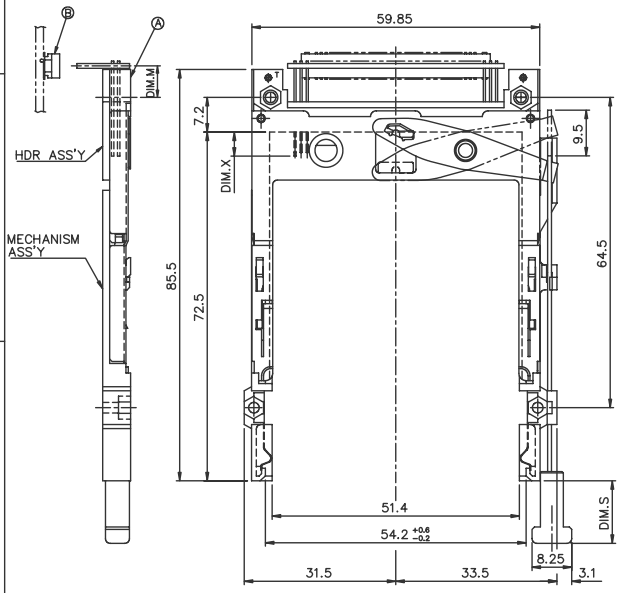
PDM: Rev:N STATUS:Released Printed: Oct 12, 2010



Tous droits strictement réservés. Reproduction ou communication à des tiers sans autorisation écrite du propriétaire.
 All rights strictly reserved. Reproduction or communication to third parties in any form without written authority from the proprietor.
 Copyright BERG ELECTRONICS S.A.

All rights strictly reserved. Reproduction or communication to third parties in any form without written authority from the proprietor.
 Copyright BERG ELECTRONICS S.A.

PRODUCT NO.	DIM.M
95547-005**LF	10.0
95547-025**LF	9.0
95547-045**LF	6.55
95547-055**LF	6.55

PRODUCT NO.	DIM.M
95547-020**LF	2.15
95547-040**LF	-0.3
95547-050**LF	-0.3
95547-050**HLF	-0.3
95547-250**LF	-0.3



mat'l code		tolerance unless otherwise specified		CUSTOMER COPY		 www.fciconnect.com	
rev.	ecn no.	dr	date	linear	± 0.30	projection	title
M				angles	± 2°		EJECTOR HEADER ASS'Y
				dr	WENDY CHEN 01/27/98	unit	5.0V, SMT TYPE 1/2/3
				engr	JOSEPH HSIA 01/27/98	product family	PCBGA
				chr	JOSEPH HSIA 01/27/98	size	dwg no.
				appd	JENN TSAO 01/27/98	scale	A3 95547
sheet	revision						code
index	sheet						sheet
							2 of

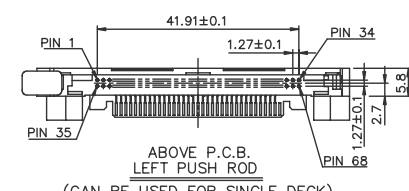
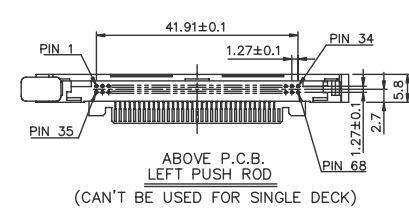
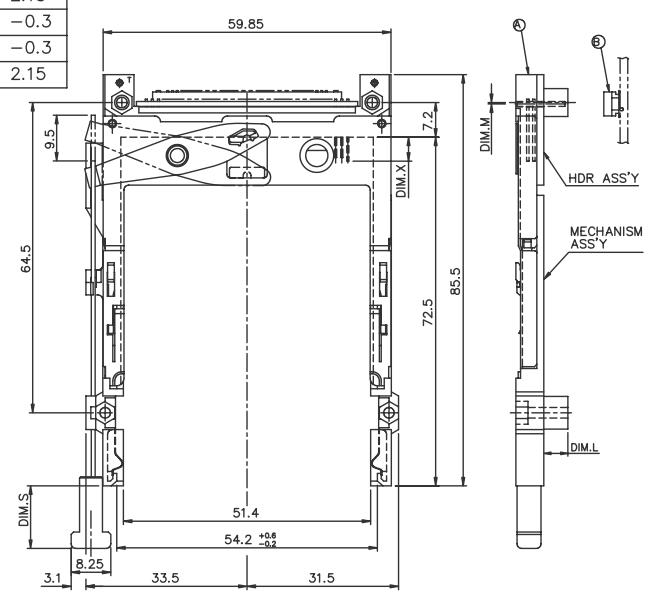
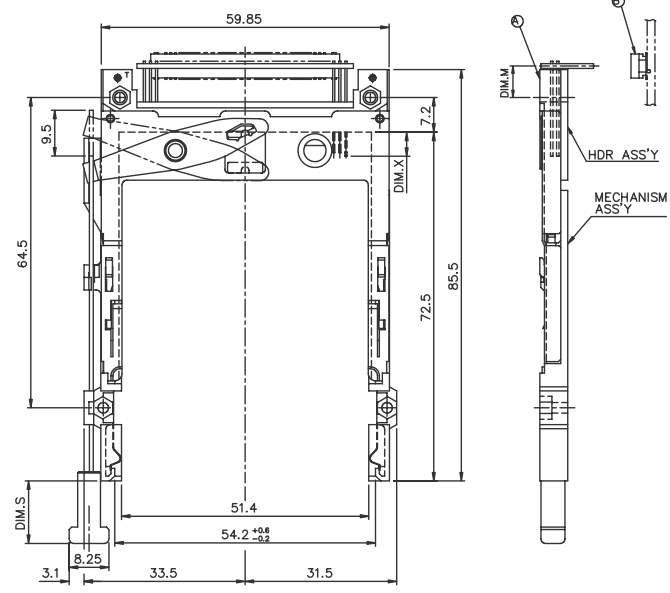
PDM: Rev:N STATUS:Released Printed: Oct 12, 2010

Tous droits strictement réservés. Reproduction ou communication à des tiers sans autorisation écrite du propriétaire.
 All rights strictly reserved. Reproduction or issue to third parties in any form without written authority from the proprietor.
 Copyright BERG ELECTRONICS S.p.A.

All rights strictly reserved. Reproduction or issue to third parties in any form without written authority from the proprietor.
 Copyright BERG ELECTRONICS S.p.A.

PRODUCT NO.	DIM.M
95547-105**	10.0
95547-125**	9.0
95547-145**	6.55
95547-155**	6.55

PRODUCT NO.	DIM.M
95547-120**	2.15
95547-140**	-0.3
95547-150**	-0.3
95547-322**	2.15



mat'l code				tolerance unless otherwise specified		CUSTOMER COPY		FCI		www.fciconnect.com	
rev.	ecn	no.	dr	date	linear	±0.30	projection	title			
L					angles	± 2°		EJECTOR HEADER ASS'Y			
					dr	WENDY CHEN 01/27/99	unit	5.0V, SMT TYPE 1/2/3			
					enrg	JOSEPH HSIA 01/27/99	mm/inch	product family		PACGA	
					chr	JOSEPH HSIA 01/27/99	scale	size		dwg no.	
					appd	JENN TSAO 01/27/99	A3	95547		code	
sheet	revision										
index	sheet										

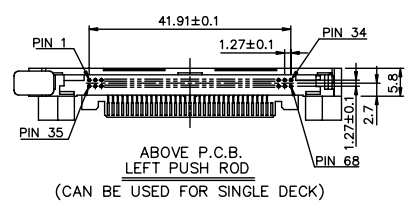
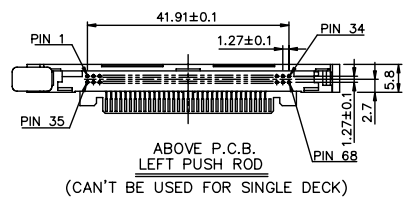
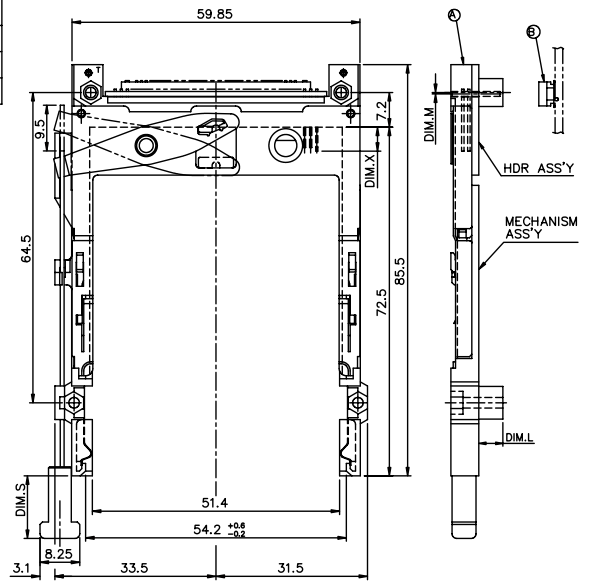
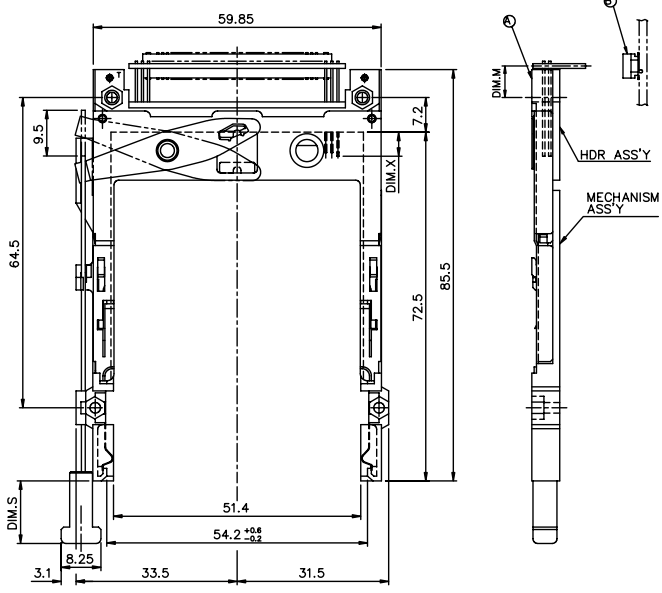
PDM: Rev:N STATUS:Released Printed: Oct 12, 2010

Tous droits strictement réservés. Reproduction ou communication à des tiers sans autorisation écrite du propriétaire.
 All rights strictly reserved. Reproduction or issue to third parties in any form without written authority from the proprietor.
 Copyright BERG ELECTRONICS S.p.A.

All rights strictly reserved. Reproduction or issue to third parties in any form without written authority from the proprietor.
 Copyright BERG ELECTRONICS S.p.A.

PRODUCT NO.	DIM.M
95547-105**LF	10.0
95547-125**LF	9.0
95547-145**LF	6.55
95547-155**LF	6.55

PRODUCT NO.	DIM.M
95547-120**LF	2.15
95547-140**LF	-0.3
95547-150**LF	-0.3
95547-150**HLF	-0.3
95547-322**LF	2.15



mat'l code	tolerance unless otherwise specified	CUSTOMER COPY	 www.fciconnect.com	
rev. N	linear ±0.30	projection	title EJECTOR HEADER ASS'Y	
ecn no.	angles ± 2°	unit	5.0V, SMT TYPE 1/2/3	
dr	dr WENDY CHEN 01/27/99	mm/inch	product family	code
date	enrg JOSEPH HSIA 01/27/99	scale	size	dwg no.
	chr JOSEPH HSIA 01/27/99		A3	95547
	appd JENN TSAO 01/27/99			sheet 4 of
sheet index	revision sheet			

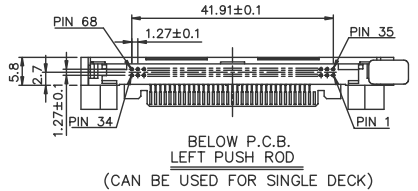
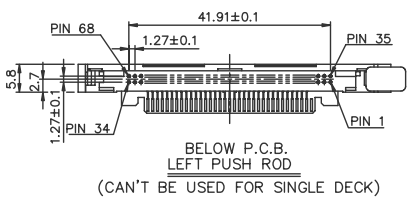
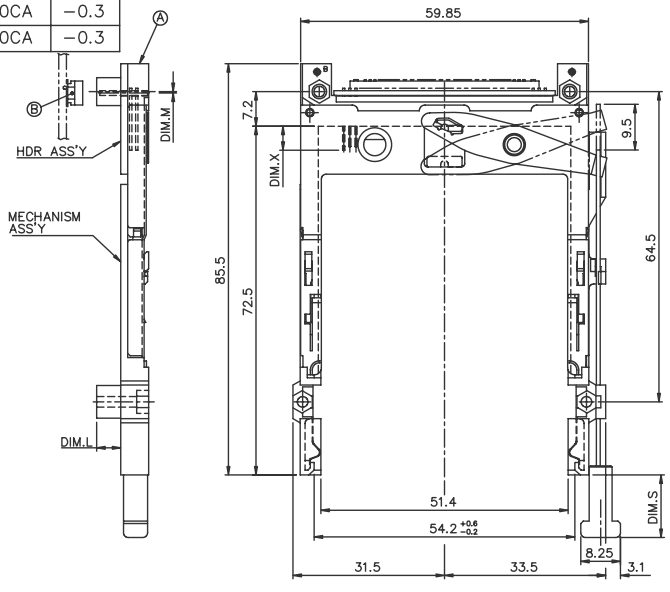
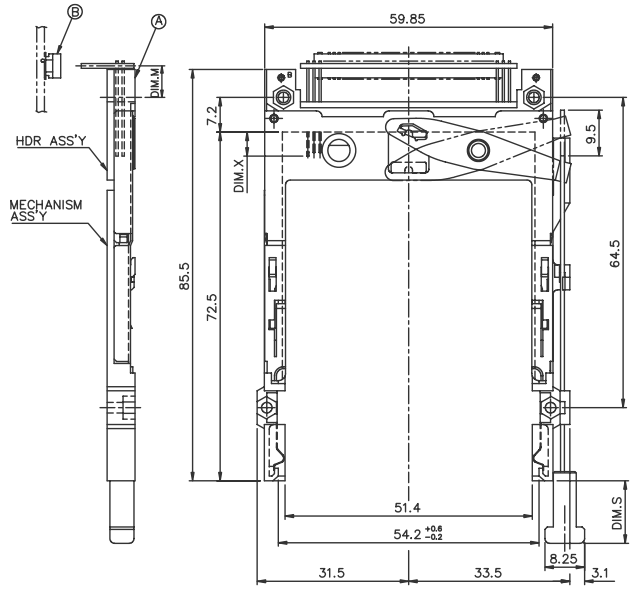
PDM: Rev:N STATUS:Released Printed: Oct 12, 2010

Tous droits strictement réservés. Reproduction ou communication à des tiers sans autorisation écrite du propriétaire.
 All rights strictly reserved. Reproduction or communication to third parties in any form without written authority from the proprietor.
 Copyright BERG ELECTRONICS S.A.
 Droits de reproduction BERG ELECTRONICS S.A.

All rights strictly reserved. Reproduction or communication to third parties in any form without written authority from the proprietor.
 Copyright BERG ELECTRONICS S.A.

PRODUCT NO.	DIM.M
95547-605CA	10.0
95547-625CA	9.0
95547-645CA	6.55
95547-655CA	6.55

PRODUCT NO.	DIM.M
95547-620CA	2.15
95547-640CA	-0.3
95547-650CA	-0.3



mat'l code				tolerance unless otherwise specified		CUSTOMER COPY		 www.fciconnect.com	
rev.	ecn	no.	dr	date	linear	± 0.3	projection	title	
L					angles	± 2°		EJECTOR HEADER ASS'Y	
M					dr	WENDY CHEN 01/27/95	unit	5.0V, SMT TYPE 1/2/3	
					enrg	JOSEPH HSIA 01/27/95	mm/inch	product family	
					chr	JOSEPH HSIA 01/27/95	scale	PCMA	
					appd	JENN TSAO 01/27/95	size	code	
							A3	95547	
sheet	revision							sheet	
index	sheet							5 of	

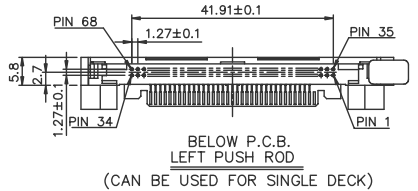
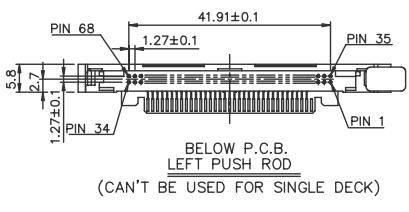
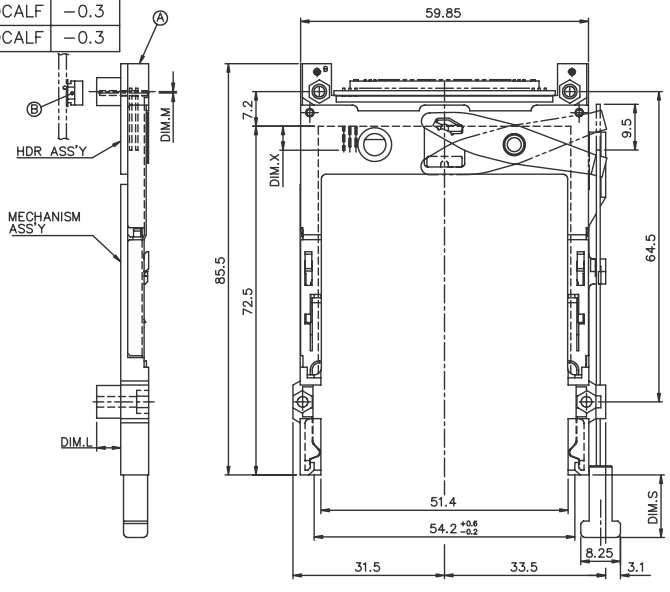
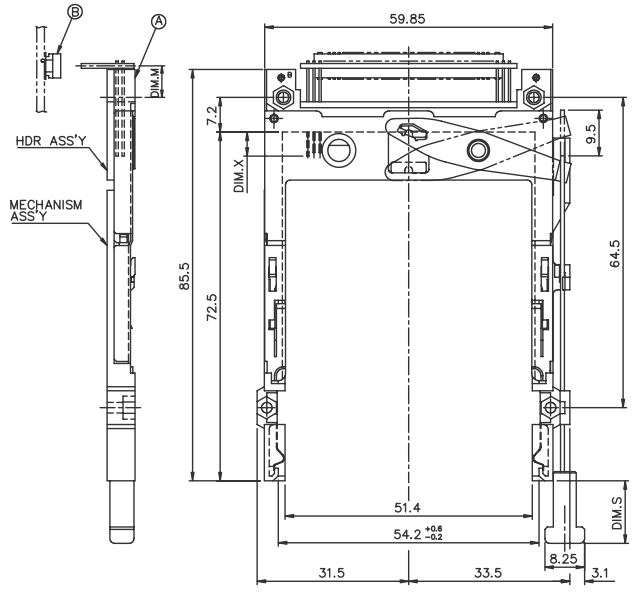
PDM: Rev:N STATUS:Released Printed: Oct 12, 2010

Tous droits strictement réservés. Reproduction ou communication à des tiers sans autorisation écrite du propriétaire.
 All rights strictly reserved. Reproduction or communication to third parties in any form without written authority from the proprietor.
 Copyright BERG ELECTRONICS S.A.
 Droits de reproduction BERG ELECTRONICS S.A.

All rights strictly reserved. Reproduction or communication to third parties in any form without written authority from the proprietor.
 Copyright BERG ELECTRONICS S.A.

PRODUCT NO.	DIM.M
95547-605CALF	10.0
95547-625CALF	9.0
95547-645CALF	6.55
95547-655CALF	6.55

PRODUCT NO.	DIM.M
95547-620CALF	2.15
95547-640CALF	-0.3
95547-650CALF	-0.3



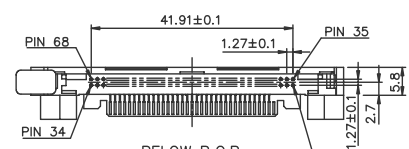
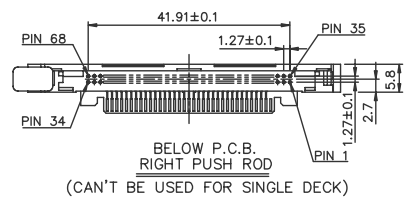
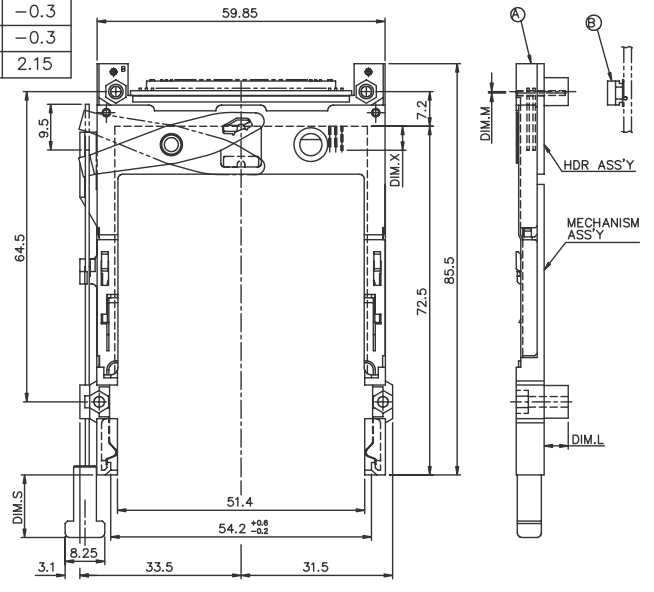
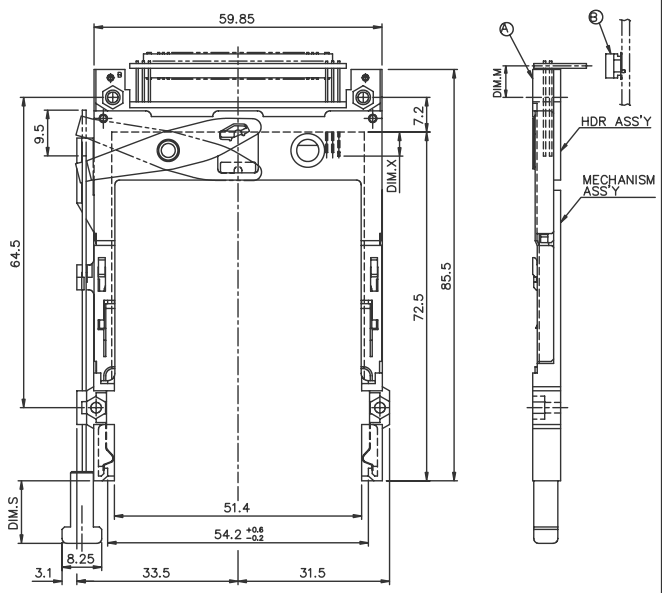
mat'l code				tolerance unless otherwise specified		CUSTOMER COPY		 www.fciconnect.com	
rev.	ecn	no.	dr	date	linear	±0.3	projection	title	
L					angles	± 2°		EJECTOR HEADER ASS'Y	
M					dr	WENDY CHEN 01/27/95	unit	5.0V, SMT TYPE 1/2/3	
					enrg	JOSEPH HSIA 01/27/95	mm/inch	product family	PCMA
					chr	JOSEPH HSIA 01/27/95	scale	size	dwg no.
					appd	JENN TSAO 01/27/95	A3	95547	code
sheet	revision								sheet
index	sheet								6 of

PDM: Rev:N STATUS:Released Printed: Oct 12, 2010

All rights strictly reserved. Reproduction or issue to third parties in any form or by any means, electronic or mechanical, including photocopying, recording, or by any information storage and retrieval system, is prohibited without written authority from the proprietor.
 Tous droits strictement réservés. Toute réimpression ou communication à des tiers sous quelque forme que ce soit, électronique ou mécanique, y compris la photocopie, l'enregistrement ou toute système de stockage et de récupération d'information écrite du propriétaire, est formellement interdite.
 Copyright BERG ELECTRONICS bv

PRODUCT NO.	DIM.M
95547-505CA	10.0
95547-525CA	9.0
95547-545CA	6.55
95547-555CA	6.55

PRODUCT NO.	DIM.M
95547-520CA	2.15
95547-540CA	-0.3
95547-550CA	-0.3
95547-750CA	2.15



mat'l code				tolerance unless otherwise specified		CUSTOMER COPY		 www.fciconnect.com	
rev.	ecn no.	dr	date	linear	± 0.30	projection	title		
L				angles	± 2°		EJECTOR HEADER ASS'Y		
M				dr	WENDY CHEN 01/27/95	unit	product family		code
				enrg	JOSEPH HSIA 01/27/95	mm/inch	5.0V, SMT TYPE 1/2/3		
				chr	JOSEPH HSIA 01/27/95	scale	size	dwg no.	sheet
				appd	JENN TSAO 01/27/95	A3	95547	7 of	
sheet	revision								
index	sheet								

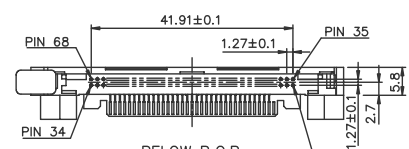
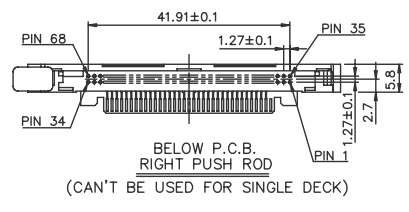
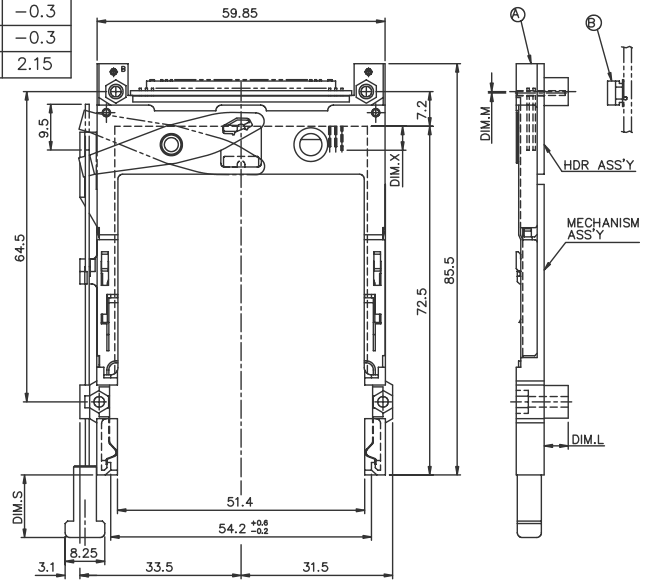
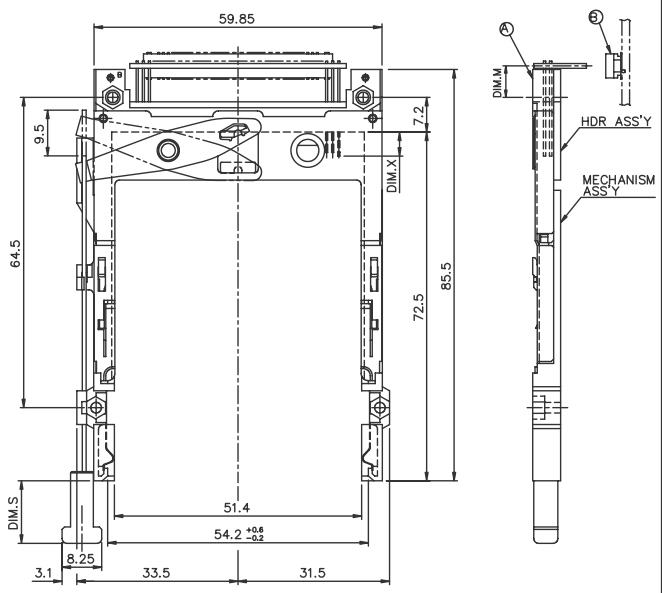
PDM: Rev:N STATUS:Released Printed: Oct 12, 2010

Tous droits strictement réservés. Reproduction ou communication à des tiers sans autorisation écrite du propriétaire. FCI ELECTRONICS INC. Droits de reproduction BERG ELECTRONICS bv

All rights strictly reserved. Reproduction or issue to third parties in any form or by any means without written authority from the proprietor. FCI ELECTRONICS INC. Copyright BERG ELECTRONICS bv

PRODUCT NO.	DIM.M
95547-505CALF	10.0
95547-525CALF	9.0
95547-545CALF	6.55
95547-555CALF	6.55

PRODUCT NO.	DIM.M
95547-520CALF	2.15
95547-540CALF	-0.3
95547-550CALF	-0.3
95547-750CALF	2.15



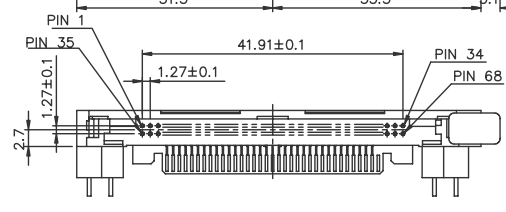
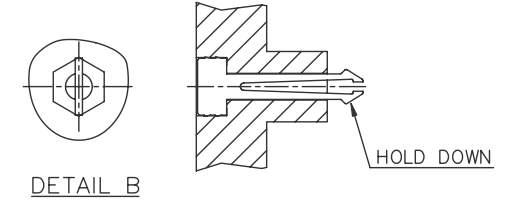
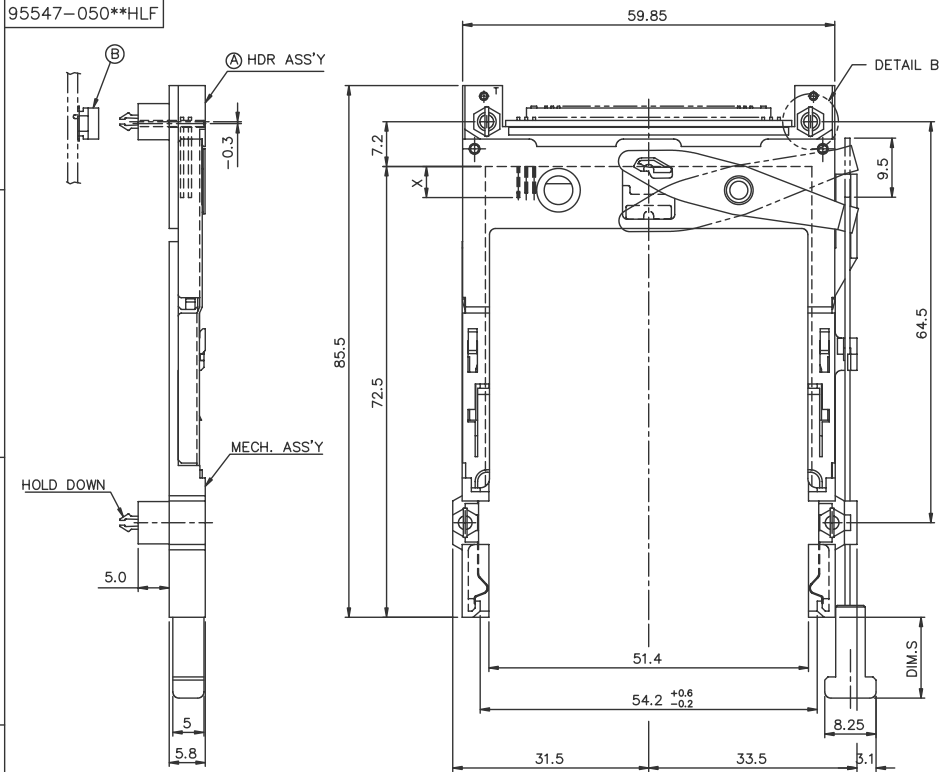
mat'l code				tolerance unless otherwise specified		CUSTOMER COPY		FCI		www.fciconnect.com	
rev.	ecn	no.	dr	date	linear	±0.30	projection	title EJECTOR HEADER ASS'Y			
L					angles	± 2°		5.0V, SMT TYPE 1/2/3			
M					dr	WENDY CHEN 01/27/95	unit	product family		PCBGA	code
					enrg	JOSEPH HSIA 01/27/95	mm/inch	size		dwg no.	sheet
					chr	JOSEPH HSIA 01/27/95	scale	A3		95547	8 of
					appd	JENN TSAO 01/27/95					
sheet	revision										
index	sheet										

PDM: Rev:N STATUS:Released Printed: Oct 12, 2010

Tous droits strictement réservés. Reproduction ou communication à des tiers sans autorisation écrite du propriétaire.
 Bergh Electronics S.A. Bergh Electronics S.A.
 Bergh Electronics S.A. Bergh Electronics S.A.
 Bergh Electronics S.A. Bergh Electronics S.A.
 Bergh Electronics S.A. Bergh Electronics S.A.

All rights strictly reserved. Reproduction or issue to third parties in any form or by any means without written authority from the proprietor.
 Bergh Electronics S.A. Bergh Electronics S.A.
 Bergh Electronics S.A. Bergh Electronics S.A.
 Bergh Electronics S.A. Bergh Electronics S.A.
 Bergh Electronics S.A. Bergh Electronics S.A.

PRODUCT NO.
 95547-050**H
 95547-050**HLF



mat'l code		tolerance unless otherwise specified		CUSTOMER COPY		FCI		www.fciconnect.com	
rev.	ecn no.	dr	date	linear	±0.3	projection	title		
L				angles	± 2°	↑	EJECTOR HEADER ASS'Y		
M				dr	WENDY CHEN 12/19/00	unit	5.0V, SMT TYPE 1/2/3		
				enrg	JOSEPH HSIA 12/19/00	mm/inch	product family		code
				chr	JOSEPH HSIA 12/19/00	scale	size		dwg no.
				appd	JOSEPH HSIA 12/19/00	1.4:1	A3		95547
sheet	revision								sheet
index	sheet								9 of

PDM: Rev:N STATUS:Released Printed: Oct 12, 2010

Tous droits strictement réservés. Reproduction ou communication à des tiers sans autorisation écrite du propriétaire.
 All rights strictly reserved. Reproduction or issue to third parties in any form without written authority from the proprietor.
 Copyright BERG ELECTRONICS BV

DESCRIPTION : ABOVE PCB, DECK AND PUSH ROD LOCATION ARE AS VIEW BY USER.

LOWER DECK						
① PRODUCT NO.	STAND-OFF HIGH DIM. L	PUSH ROD LOCATION ②	P.C.B. SIDE ③	P.C.B LAYOUT RECOMMENDED	④ MATING RECEPTACLE	MOUNT STYLE TO PCB AND PUSH ROD SIDE
95547-020**	2.2	RIGHT	ABOVE	SEE DRAWING P/N: TA-1052	↑ RECEPTACLE PART NUMBER: 91931-31169 ↓	
95547-040**	4.3					
95547-050**	5.0					
95547-050**H	5.0					
95547-250**	5.0					
95547-120**	2.2	LEFT	ABOVE	SEE DRAWING P/N: TA-1052		
95547-140**	4.3					
95547-150**	5.0					
95547-322**	2.2					
95547-520**	2.2					
95547-540**	4.3	RIGHT	BELOW	SEE DRAWING P/N: TA-1052		
95547-550**	5.0					
95547-750**	5.0					
95547-620**	2.2					
95547-640**	4.3					
95547-650**	5.0	LEFT	BELOW	SEE DRAWING P/N: TA-1052		

UPPER DECK					
① PRODUCT NO.	JOINT WITH LOWER DECK STAND-OFF HIGH(DIM. L)	PUSH ROD LOCATION ②	P.C.B. SIDE ③	④ MATING RECEPTACLE	MOUNT STYLE TO PCB AND PUSH ROD SIDE
95547-005**	0.0	RIGHT	ABOVE	↑ RECEPTACLE PART NUMBER: 91931-31169 ↓	
95547-025**	2.2				
95547-045**	4.3				
95547-055**	5.0				
95547-105**	0.0				
95547-125**	2.2	LEFT	ABOVE		
95547-145**	4.3				
95547-155**	5.0				
95547-505**	0.0				
95547-525**	2.2				
95547-545**	4.3	RIGHT	BELOW		
95547-555**	5.0				
95547-605**	0.0				
95547-625**	2.2				
95547-645**	4.3				
95547-655**	5.0	LEFT	BELOW		

NOTES:
 1. IT CAN'T BE USED FOR SINGLE DECK.
 2. IT MUST BE ASSEMBLED BY USER FOR DOUBLE DECK APPLICATION.(PLEASE REFER TO P/N 95562)
 3. **: SEE TABLE J

- NOTES:
- 8mm MIN. CARD EJECT.
 - EJECT TRAVEL: 9.5mm
 - PUSH ROD LOCATION AND P.C.B. SIDE ARE AS APPEARS INSTALLED.
 - MATERIAL
 - 4.1 HEADER ASS'Y:
 PLASTIC : HOUSING ...LCP UL94V-0 BLACK
 PIN : COPPER ALLOY
 PCB : FR4
 - 4.2 EJECT MECHANISM ASS'Y:
 PLASTIC : GUIDE: POLYPHTHARAMID UL94V-0 BLACK
 : PUSH ROD CAP: POLYPHTHARAMID UL94V-0
 ,BLACK
 PLATE AND PUSH ROD : STAINLESS
 EMI CONTACT: PHOSPHOR BRONZE
 - FINISH (PIN)
 UNDER PLATING : 0.5 um MIN. Ni
 CONTACT AREA : 0.1 um MIN. GOLD OVER
 0.5 um MIN. Pd-Ni(OTHER VERSIONS),
 0.1 um MIN. GOLD OVER 0.8um MIN. Pd-Ni
 (FOR 95547-250** AND 95547-250**LF ONLY)
 SOLDER TAIL : TIN LEAD PLATING: 2.5 um MIN. Sn-Pb
 LEAD FREE PLATING: 2.5 um MIN. PURE TIN

4.25±0.1	3.5±0.1	5.0±0.1
OTHERS	36,67	1,17,34,35,51,68

7. TABLE J

** DIM.S
CA 13.0
DA 15.6

- ADD "H" TO PART NUMBER FOR OPTIONAL HOLD DOWN (4 PER ASSEMBLY).
- IF LEAD FREE P/N, THE HOUSING WILL WITHSTAND EXPOSURE TO 260°C PEAK TEMPERATURE FOR 10 SECONDS IN A WAVE SOLDER APPLICATION WITH A 1.00MM MINIMUM THICK CIRCUIT BOARD.
- LEAD FREE PRODUCT MEETS EUROPEAN UNION DIRECTIVES AND OTHER COUNTRY REGULATIONS AS DISCRIBED IN GS-22-008
- IF LEAD FREE P/N, PACKAGING MEETS GS-14-920 SPECIFICATION

TIN LEAD ORDERING INFORMATION		
NAME	PART NO.	Q'TY
① EJECT HEADER ASS'Y	95547-*****	1
② MATING RECEPTACLE	91931-31169	1

mat'l code		tolerance unless otherwise specified		CUSTOMER COPY		 www.fciconnect.com	
rev. L	ecn no.	dr	date	linear	projection	title EJECTOR HEADER ASS'Y	
M				angles		5.0V, SMT TYPE 1/2/3	
				dr WENDY CHEN 01/27/95	unit	product family	PCBGA
				enrg JOSEPH HSIA 01/27/95	mm/inch	size	dwg no.
				chr JOSEPH HSIA 01/27/95	scale	A3	95547
				appd JENN TSAO 01/27/95	1:1		sheet 100f
sheet index	revision sheet						

Tous droits strictement réservés. Reproduction ou communication à des tiers sans autorisation écrite du propriétaire.
 All rights strictly reserved. Reproduction or communication to third parties in any form without written authority from the proprietor.
 Copyright BERG ELECTRONICS S.p.A.
 Droits de reproduction BERG ELECTRONICS S.p.A.

All rights strictly reserved. Reproduction or communication to third parties in any form without written authority from the proprietor.
 Copyright BERG ELECTRONICS S.p.A.

DESCRIPTION : ABOVE PCB, DECK AND PUSH ROD LOCATION ARE AS VIEW BY USER.

LOWER DECK						
① PRODUCT NO.	STAND-OFF HIGH DIM. L	PUSH ROD LOCATION ②	P.C.B. SIDE ③	P.C.B LAYOUT RECOMMENDED	④ MATING RECEPTACLE	MOUNT STYLE TO PCB AND PUSH ROD SIDE
95547-020**LF	2.2	RIGHT	ABOVE	SEE DRAWING P/N: TA-1052	↑	
95547-040**LF	4.3					
95547-050**LF	5.0					
95547-050**HLF	5.0					
95547-250**LF	5.0					
95547-120**LF	2.2	LEFT	ABOVE	SEE DRAWING P/N: TA-1052	↓	
95547-140**LF	4.3					
95547-150**LF	5.0					
⚠ 95547-150**HLF	5.0					
95547-322**LF	2.2					
95547-520**LF	2.2	RIGHT	BELOW	SEE DRAWING P/N: TA-1052	↑	
95547-540**LF	4.3					
95547-550**LF	5.0					
95547-750**LF	5.0					
95547-620**LF	2.2					
95547-640**LF	4.3	LEFT	BELOW	SEE DRAWING P/N: TA-1052	↓	
95547-650**LF	5.0					

UPPER DECK						
① PRODUCT NO.	JOINT WITH LOWER DECK STAND-OFF HIGH(DIM. L)	PUSH ROD LOCATION ②	P.C.B. SIDE ③	P.C.B LAYOUT RECOMMENDED	④ MATING RECEPTACLE	MOUNT STYLE TO PCB AND PUSH ROD SIDE
95547-005**LF	0.0	RIGHT	ABOVE		↑	
95547-025**LF	2.2					
95547-045**LF	4.3					
95547-055**LF	5.0					
95547-105**LF	0.0					
95547-125**LF	2.2	LEFT	ABOVE		↓	
95547-145**LF	4.3					
95547-155**LF	5.0					
95547-505**LF	0.0					
95547-525**LF	2.2					
95547-545**LF	4.3	RIGHT	BELOW		↑	
95547-555**LF	5.0					
95547-605**LF	0.0					
95547-625**LF	2.2					
95547-645**LF	4.3					
95547-655**LF	5.0	LEFT	BELOW		↓	
95547-655**LF	5.0					

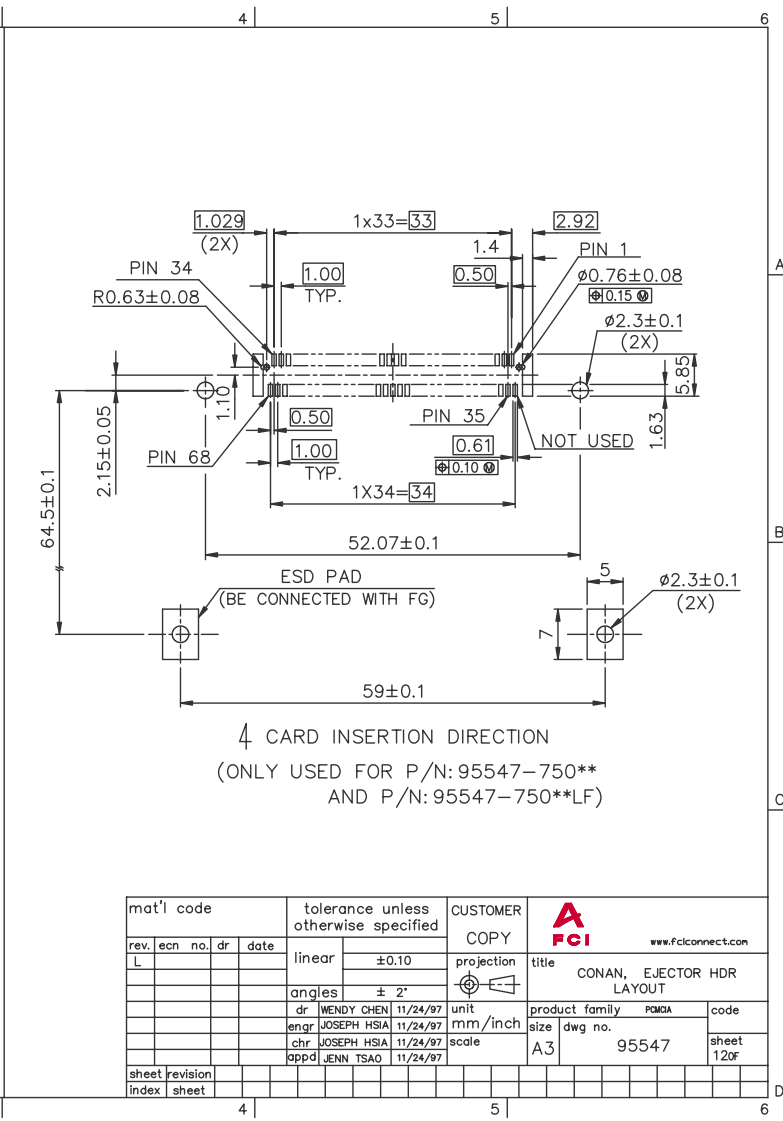
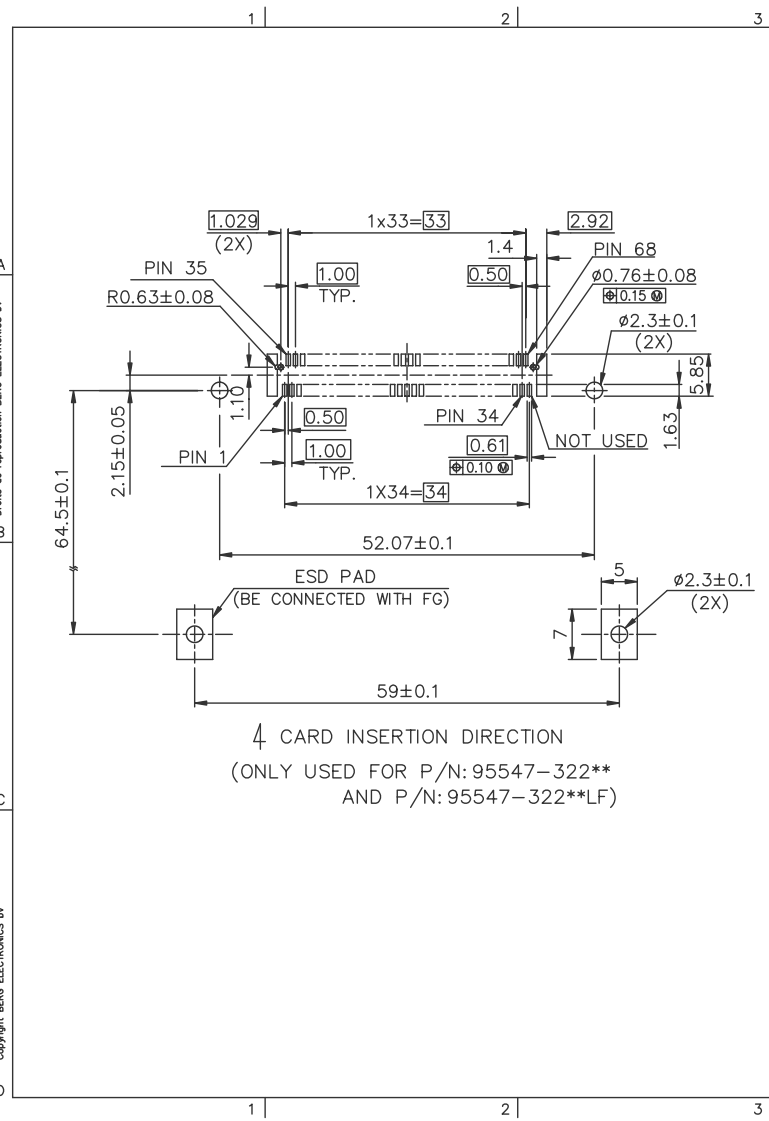
NOTES:
 1. IT CAN'T BE USED FOR SINGLE DECK.
 2. IT MUST BE ASSEMBLED BY USER FOR DOUBLE DECK APPLICATION.(PLEASE REFER TO P/N 95562)
 3. ** : SEE TABLE J

LEAD FREE ORDERING INFORMATION		
NAME	PART NO.	Q'TY
① EJECT HEADER ASS'Y	95547-****LF	1
② MATING RECEPTACLE	91931-31169LF	1

mat'l code	tolerance unless otherwise specified	CUSTOMER COPY	FCI www.fciconnect.com
rev. N	linear	projection	title EJECTOR HEADER ASS'Y 5.0V, SMT TYPE 1/2/3
ecn	angles	unit	product family PAKA code
no. dr	dr WENDY CHEN 01/27/95	mm/inch	size dwg no. 95547 sheet 11 of
date	enrg JOSEPH HSIA 01/27/95	scale	
	chr JOSEPH HSIA 01/27/95	1:1	
	appd JENN TSAO 01/27/95		
sheet index	revision sheet		

Tous droits strictement réservés. Reproduction ou communication, o des tiers int
 autorisé sans autorisation écrite du propriétaire.
 FCI Electronics
 droits de reproduction BERG ELECTRONICS by

All rights strictly reserved. Reproduction or issue to third parties in any for
 otherwise is not permitted without written authority from the proprietor.
 FCI Electronics
 Copyright BERG ELECTRONICS by



mat'l code		tolerance unless otherwise specified		CUSTOMER COPY		FCI		www.fciconnect.com	
rev.	ecn no.	dr	date	linear	±0.10	projection	title CONAN, EJECTOR HDR LAYOUT		
L				angles	± 2°				
				dr	WENDY CHEN 11/24/97	unit	product family PAMGA		code
				enrg	JOSEPH HSIA 11/24/97	mm/inch	size dwg no.		sheet
				chr	JOSEPH HSIA 11/24/97	scale	A3 95547		12of
				appd	JENN TSAO 11/24/97				
sheet	revision								
index	sheet								

PDM: Rev:N STATUS:Released Printed: Oct 12, 2010