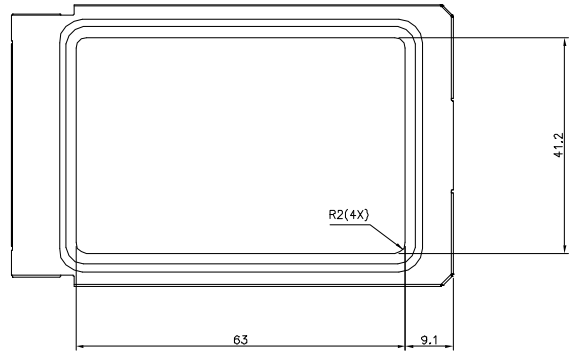
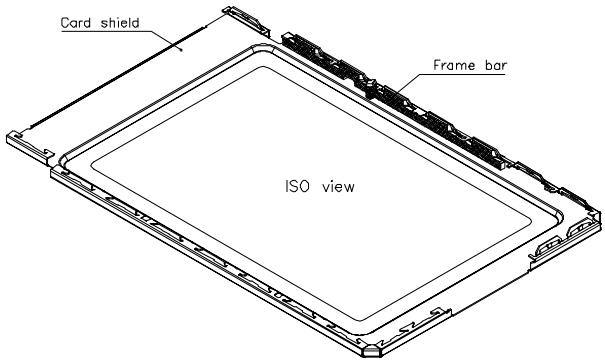
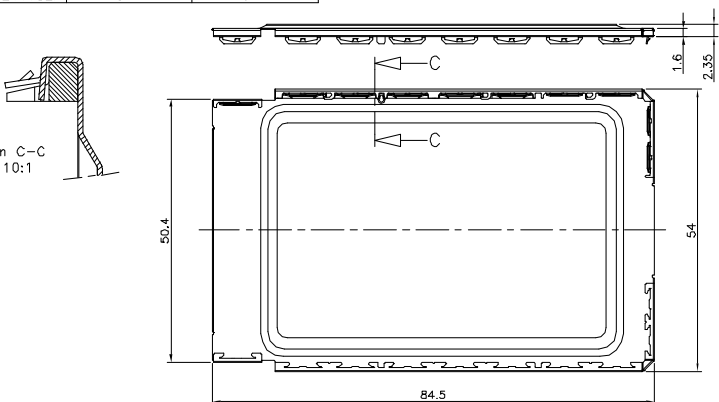
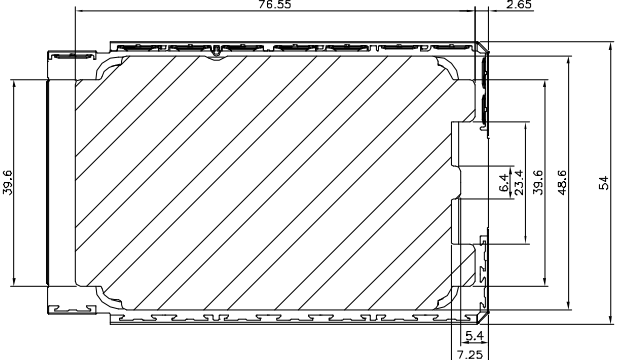


Product number	Insulator	Label recess	Product number	Packaging
83808-2100LF	no	no	83808-xxxxLF	1000 Rocard Shield/Box
83808-2101LF	yes	no	83808-xxxxSLF	200 Rocard Shield/Box
83808-2110LF	no	yes		
83808-2111LF	yes	yes		

Section C-C
Scale 10:1



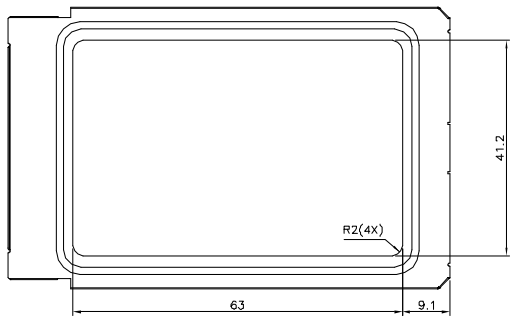
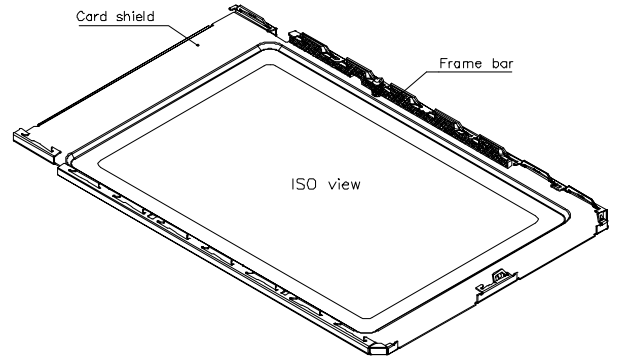
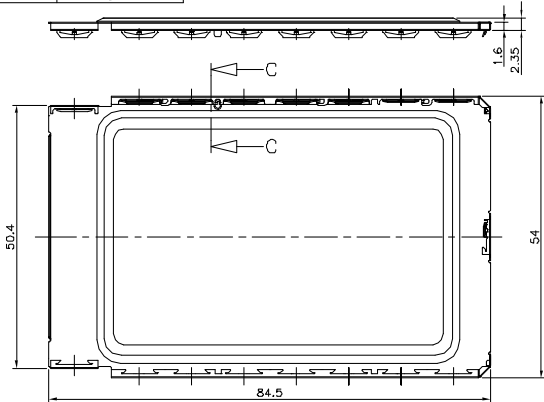
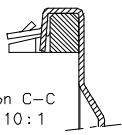
Version: Label recess
(maximum label thickness 0.07 mm)



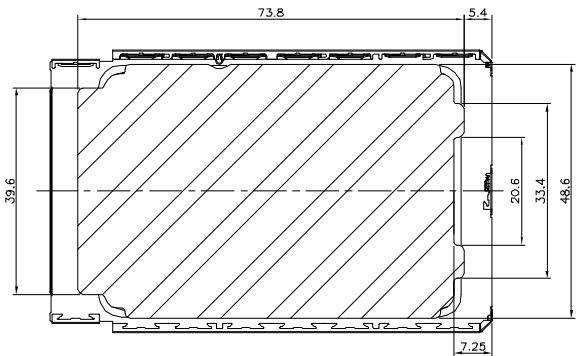
Version: Insulator
(thickness 0.07 mm)

MatL code	surface	tolerance	projection	product family
litr	iso 1802	iso 446	iso 10	PCMCIA
ecm no	date	tolerance unless otherwise specified	mm	title
A H80049	00A 98.02.12	Linear	scale 2:1	ROCARD SHIELD
B F80195	00A 98.04.08			TYPE II, 1x1/0
C F90323	00A 99.05.04			FCI
D F10514	01A 01.09.07	H VEREKENEN	06.02.12	dwg no
E F05-0254	02A 09.26	F HAUTER	99.05.04	83808
F F05-0158	02A 02.27	D LERIANO	99.05.04	sheet
G F05-0248	04A 07.28	F HAUTER	99.05.04	revision
sheet	revision			type
index	sheet			CUSTOMER Drawing

Product number	Insulator	Label recess	Product number	Packaging
83808-22000LF	no	no	83808-xxxxLF	1000 Rocard Shield/Box
83808-22010LF	yes	no	83808-xxxxSLF	200 Rocard Shield/Box
83808-22100LF	no	yes		
83808-22110LF	yes	yes		



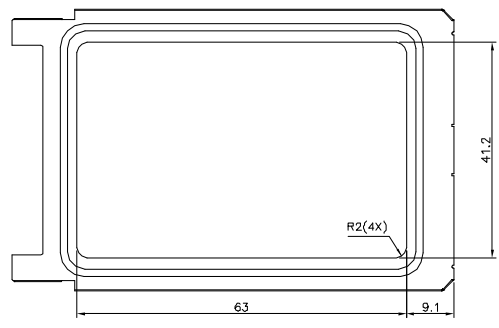
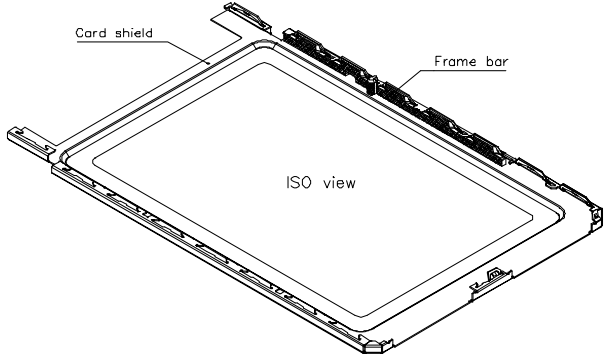
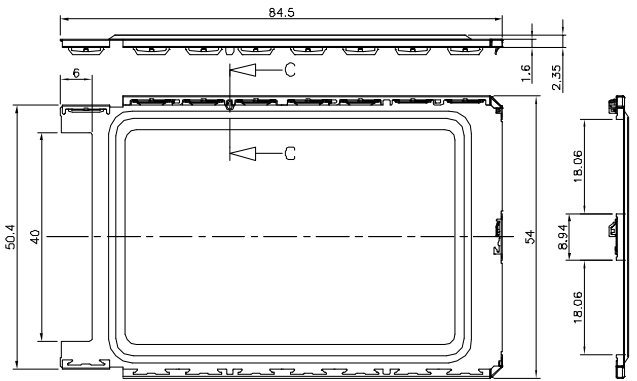
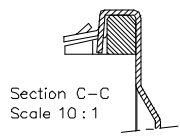
Version: Label recess
(maximum label thickness 0.07 mm)



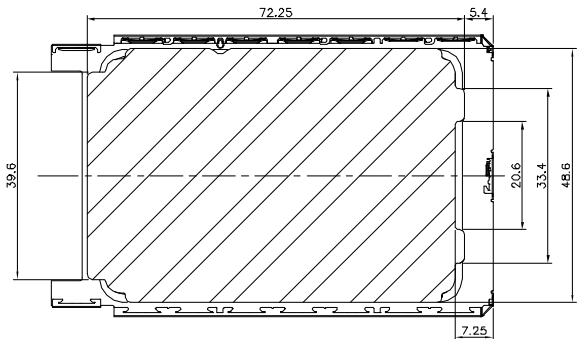
Version: Insulator
(thickness 0.07 mm)

MatL code	surface	tolerance	projection	product family
litr	iso 1302	iso 446	iso 10	PCMCIA
ecm no	date	tolerance unless otherwise specified	mm	scale 2:1
A H80049	00A 98.03.12	Linear		ROCARD SHIELD
B F80190	00A 98.04.08			TYPE II, 2xl/0
C F80323	00A 99.05.04			FCI
D F10514	01A 01.09.07	H VEREUKEN	06.02.12	dwg no 83808
E F05-0254	02A 09.26	F HAUTER	99.05.04	sheet 3 of - size Az
F F05-0158	02A 02.27	D LESTRANO	99.05.04	type CUSTOMER Drawing
G F05-0248	02A 07.28	F HAUTER	99.05.04	
sheet	revision			
index	sheet			

Product number	Insulator	Label recess	Product number	Packaging
83808-22001LF	no	no	83808-xxxxLF	1000 Rocard Shield/Box
83808-22011LF	yes	no	83808-xxxxSLF	200 Rocard Shield/Box
83808-22101LF	no	yes		
83808-22111LF	yes	yes		



Version: Label recess
(maximum label thickness 0.07 mm)

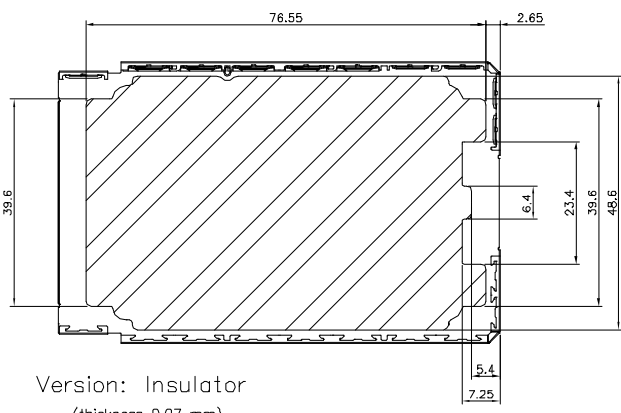
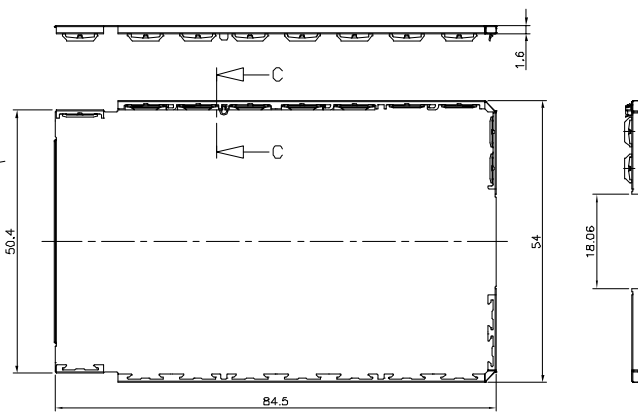


Version: Insulator
(thickness 0.07 mm)

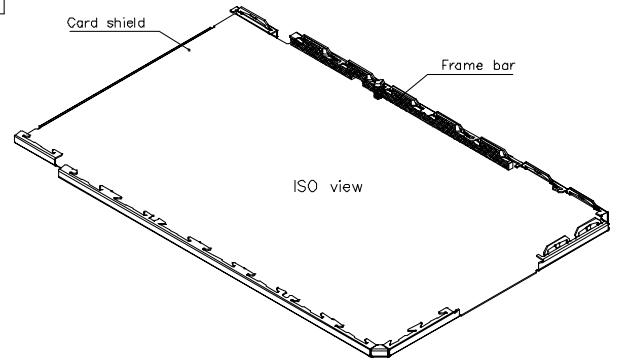
MatL code	surface	tolerance	projection	product family
litr	iso 1802	iso 446	iso 10	PCMCIA
ecm	no	no	no	
no	date	tolerance unless otherwise specified	mm	title
A	08.02.12	Linear	mm	ROCARD SHIELD
B	08.04.08	Linear	mm	TYPE II,2xI/O,CARDBUS
C	09.05.04	Linear	mm	scale 2:1
D	01.09.07	Linear	mm	dwg no
E	02.09.26	Linear	mm	sheet B of - size
F	06.02.27	Linear	mm	83808
G	04.07.28	Linear	mm	Az
sheet	revision	type		CUSTOMER Drawing
index	sheet			

Product number	Insulator	Product number	Packaging
83808-11000LF	no	83808-xxxxLF	1000 Rocard Shield/Box
83808-11010LF	yes	83808-xxxxSLF	200 Rocard Shield/Box

Section C-C
Scale 10:1



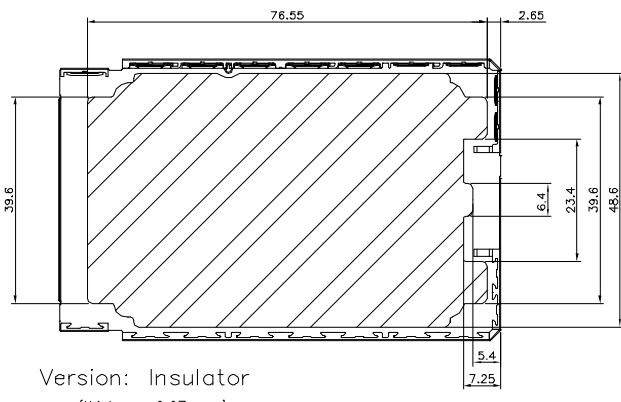
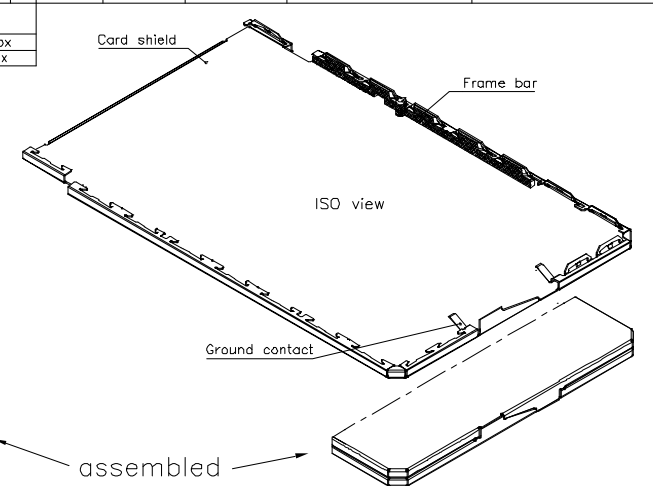
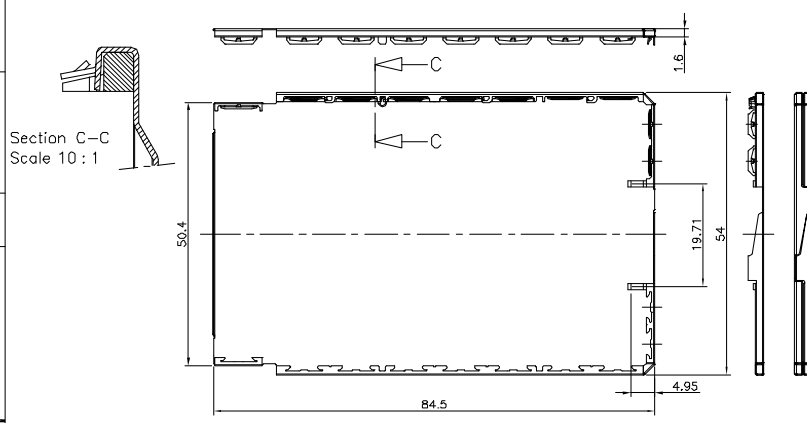
Version: Insulator
(thickness 0.07 mm)



matl code	surface	tolerance	projection	product family
ISO 1802	ISO 46	ISO 10	1st angle	PCMCIA
tr	ecm	no	dr	date
A	F80195	OCA	88.04.08	
B	F90203	DLE	99.05.04	
C	F10914	DLE	01.09.07	
D	F05-024	DLE	05.09.26	dr
E	F08-0136	DLE	06.02.27	enat
F	F08-0248	DLE	06.07.28	enr
sheet	revision			
index	sheet			

title	ROCARD SHIELD
TYPE 1, 1x1/0	
dwg no	83808
sheet 7 of - size	A2
type	CUSTOMER Drawing

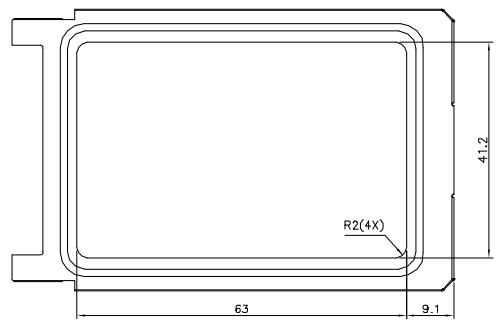
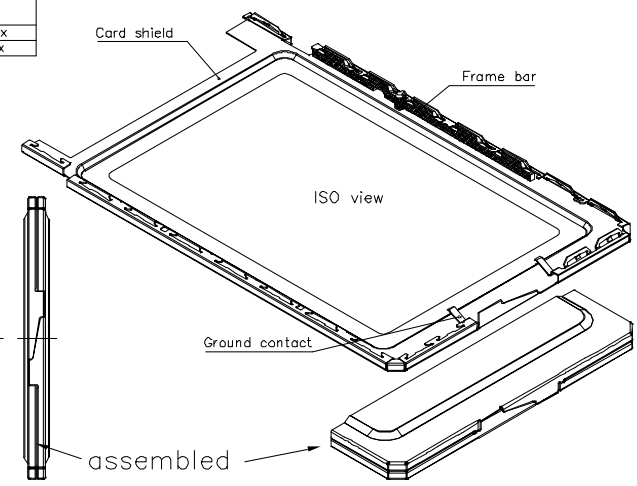
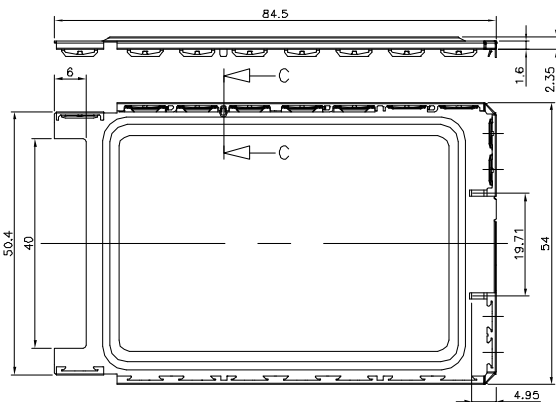
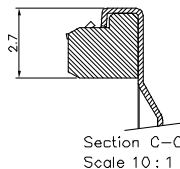
Product number	Insulator	Product number	Packaging
83808-1000LF	no	83808-xxxxLF	1000 Rocard Shield/Box
83808-10010LF	yes	83808-xxxxSLF	200 Rocard Shield/Box



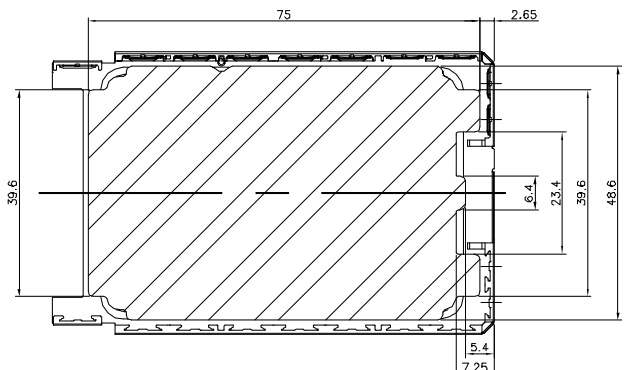
MatL code	surface	tolerance	projection	product family
	ISO 1302	ISO 46	ISO 10	PCMCIA
litr	ecm	no	dr	date
A	F80195	OCA	88.04.08	
B	F90233	DLE	99.08.04	
C	F10914	DLE	01.09.07	
D	F05-024	DLE	06.09.26	dr
E	F08-0136	DLE	06.09.27	enat
F	F08-0248	DLE	06.07.28	chn
sheet	revision			
index	sheet			

title
ROCARD SHIELD
 TYPE I, CLOSED END
 product family
 PCMCIA
 scale 2:1
 dwg no 83808
 sheet 9 of - size Az
 type CUSTOMER Drawing

Product number	Insulator	Label recess	Product number	Packaging
83808-20001LF	no	no	83808-xxxxLF	1000 Rocard Shield/Box
83808-20011LF	yes	no	83808-xxxxSLF	200 Rocard Shield/Box
83808-20101LF	no	yes		
83808-20111LF	yes	yes		



Version: Label recess
(maximum label thickness 0.07 mm)



Version: Insulator
(thickness 0.07 mm)

MatL code	surface	tolerance	projection	product family
litr	ecm	no	dr	date
A	FR0655	04E	88.10.25	
B	FR0709	04E	00.01.19	
C	FR0814	04E	01.09.07	
D	F05-0254	04E	05.09.26	Dr D LEGRAND 88.10.25
E	F08-0136	04E	06.02.27	Eng F. HAUTIER 88.10.25
F	F08-0248	04E	06.07.28	Exp M. SCHUCHNER 88.10.25
				Exp F. HAUTIER 88.10.25
sheet	revision			
index	sheet			

title	product family
ROCARD SHIELD	PCMCIA
TYPE II, CLOSED, CARBUS	
dwg no	sheet 10 of - size
83808	Az
type	CUSTOMER Drawing