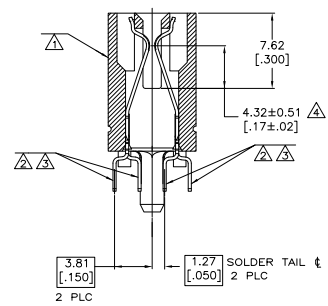
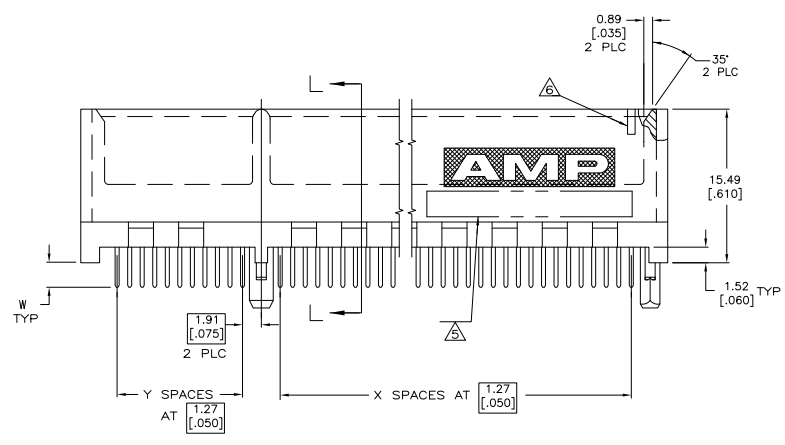
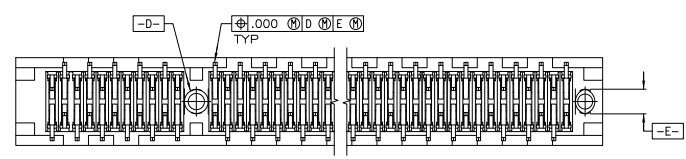


- △ HOUSING: HIGH TEMPERATURE THERMOPLASTIC. COLOR: BROWN.
- △ CONTACT: PHOSPHOR BRONZE.
- △ CONTACT FINISH: .000100 MIN NICKEL ALL OVER.
.000030 MIN GOLD OVER NICKEL IN CONTACT AREA.
.000100 MIN MATTE TIN OVER NICKEL ON SOLDER TAILS.
- △ DISTANCE FROM CONTACT POINT TO BOTTOM OF CARD SLOT.
- △ AMP PART NUMBER, DATE CODE AND CSA LOGO MARKED IN APPROXIMATE AREA SHOWN.
- △ PIN ONE IDENTIFIER NOTCH ONLY ON PART NUMBERS INDICATED.
- △ OBSOLETE PARTS: OBSOLETE CIS STREAMLINING PER D.RENAUD/D.SINISI



SECTION L-L
 SCALE 8:1

△ OBSOLETE	3.18 [1.25]	NO	B	45.72 [1.800]	44.70 [1.760]	65.79 [2.59]	15.49 [0.610]	10	33	45	1-5650090-4
	3.56 [1.40]	NO	A	26.67 [1.050]	25.65 [1.010]	46.74 [1.84]	15.49 [0.610]	10	18	30	1-5650090-2
△ OBSOLETE	3.56 [1.40]	NO	C	55.88 [2.200]	54.86 [2.160]	110.24 [4.34]	49.78 [1.960]	37	41	80	1-5650090-1
	2.54 [1.00]	NO	C	55.88 [2.200]	54.86 [2.160]	110.24 [4.34]	49.78 [1.960]	37	41	80	5650090-9
	2.54 [1.00]	NO	B	17.78 [0.700]	16.76 [0.660]	37.85 [1.49]	15.49 [0.610]	10	11	23	5650090-7
	2.54 [1.00]	NO	A	26.67 [1.050]	25.65 [1.010]	46.74 [1.84]	15.49 [0.610]	10	18	30	5650090-6
	2.54 [1.00]	NO	A	39.37 [1.550]	38.35 [1.510]	59.44 [2.34]	15.49 [0.610]	10	28	40	5650090-3
	2.54 [1.00]	NO	B	45.72 [1.800]	44.70 [1.760]	65.79 [2.59]	15.49 [0.610]	10	33	45	5650090-2
	2.54 [1.00]	YES	A	59.69 [2.350]	58.67 [2.310]	79.76 [3.14]	15.49 [0.610]	10	44	56	5650090-1



SEE SHEET 2 FOR HOLE PATTERNS

THIS DRAWING IS A CONTROLLED DOCUMENT. DATE: 24 JUN 93. BY: FRANKLIN. DATE: 24 JUN 93.

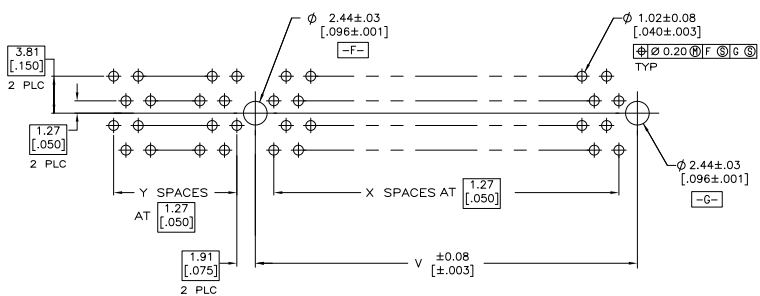
REVISIONS:	DATE:	BY:	CHK:	APP:
1				
2				
3				
4				
5				
6				
7				
8				
9				
10				

PROJECT: 108-14034
 DRAWING NO: 114-26012
 DATE: 10/77/93
 CUSTOMER DRAWING

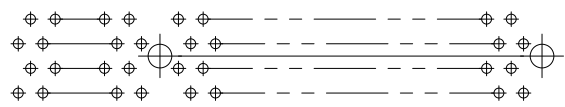
TE Connectivity
 CONNECTOR ASSEMBLY, DUAL POSITION, 090 SERIES
 PART NUMBER: 5650090-9
 SHEET: 5.1 OF 2

THIS DRAWING IS UNPUBLISHED
 ALL RIGHTS RESERVED

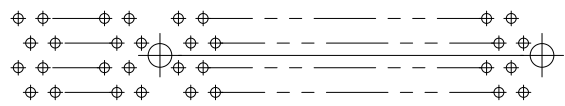
REV	DATE	DESCRIPTION	BY	APP
GP 00		SEE SHEET 1		



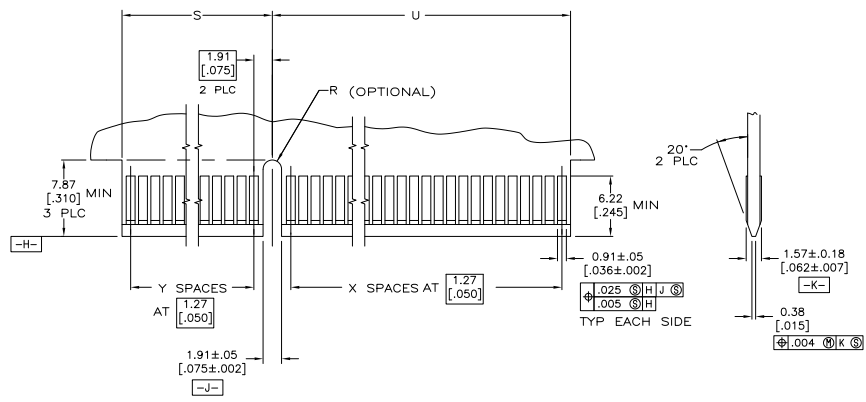
RECOMMENDED CONNECTOR MOUNTING HOLE PATTERN A
 (CONNECTOR SIDE SHOWN)



RECOMMENDED CONNECTOR MOUNTING HOLE PATTERN B
 (CONNECTOR SIDE SHOWN)



RECOMMENDED CONNECTOR MOUNTING HOLE PATTERN C



RECOMMENDED MATING BOARD EDGE CONFIGURATION
 (CONNECTOR SIDE SHOWN)

THIS DRAWING IS A CONTROLLED DOCUMENT.		REV. 01	DATE 24 JUN 93	TE Connectivity
DRAWN BY: J. FRANTZUM		REV. 01	DATE 24 JUN 93	
UNLESS OTHERWISE SPECIFIED:	ALL DIMENSIONS IN MILLIMETERS	PROJECT NAME: 108-14034		
FINISHES:	PLC: -	OPERATION SPEC: 114-26012		
UNLESS OTHERWISE SPECIFIED:	SEE SHEET 1	SIZE: A1	DATE: 00779	DRAWING NO: 5650090
CUSTOMER DRAWING		SCALE: 5:1	SHEET: 2	TOTAL SHEETS: 2