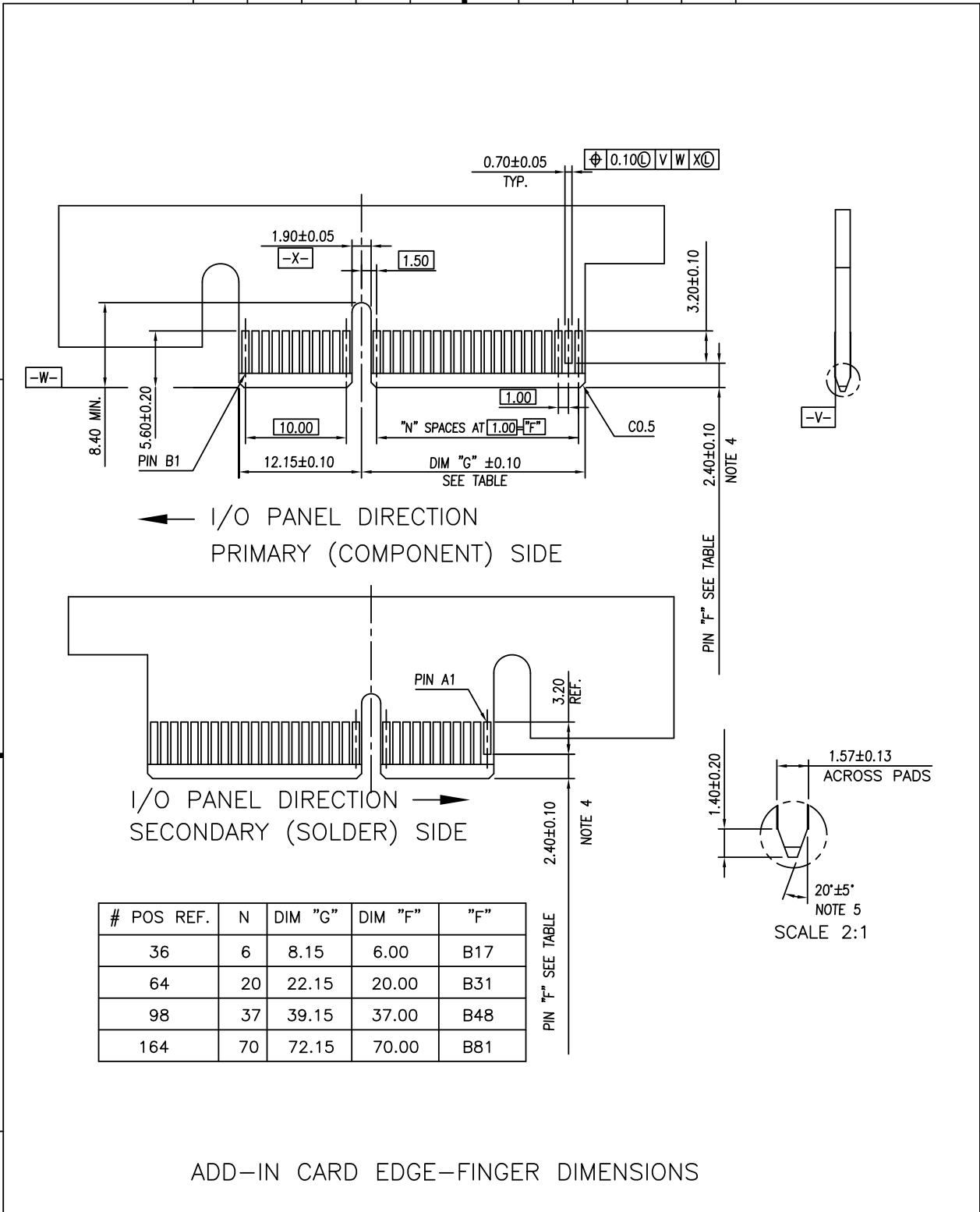


FCIconnect.com

Copyright FCI

mat'l. code		surface 58		tolerance		projection		product family	
-		ISO 1302		ISO 406 ISO 101				PCI_EXPRESS	
ltr	ecn no	dr	date	tolerances unless otherwise specified		title			
B	T07-0005	RC	02/06/'07	angles	.X±.3	PCI_EXPRESS_CARD_EDGE ASSEMBLY(SMT)			
C	T07-1083	RC	05/25/'07	linear	.XX±.20				
D	T07-1120	RC	07/31/'07	0'±2'	XXX±.10	scale 1			
E	DG08-0111	RC	05/08/'08	dr	MAGGIE_WU	06'/6/21	dwg no		sheet 1 of 6
F	T08-1097	RC	06/03/'08	engr	RICHARD_CHIU	06'/6/21	10061913		size
G	T08-1188	JH	10/23/08	chr	PAUL_WANG	06'/6/21			A4
H	T10-0007	JH	1/30/10	appc	JOSEPH_HSIA	06'/6/21	type		CUSTOMER Drawing
sheet index	revision sheet	H	H	H	H	H	H		
		1	2	3	4	5	6		



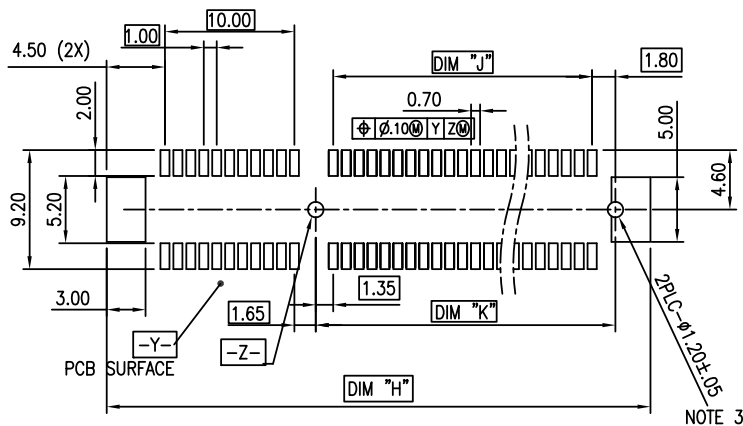
ADD-IN CARD EDGE-FINGER DIMENSIONS

mat'l. code				surface 58		tolerance		projection		product family				
-				ISO 1302		ISO 406 ISO 101				PCI_EXPRESS				
ltr	ecn no	dr	date	tolerances unless otherwise specified						title				
H	-	-	-	angles		.X±.2		MM		PCI_EXPRESS_CARD_EDGE ASSEMBLY(SMT)				
				linear		.XX±.13								
				0°±2°		XXX±.05		scale 2						
sheet index		revision sheet		dr	MAGGIE_WU	06'/6/21			dwg no		sheet 2 of 6		size	
				engr	RICHARD_CHIU	06'/6/21			10061913				A4	
				chr	PAUL_WANG	06'/6/21			type		CUSTOMER Drawing			
				app	JOSEPH_HZIA	06'/6/21								



FCIconnect.com

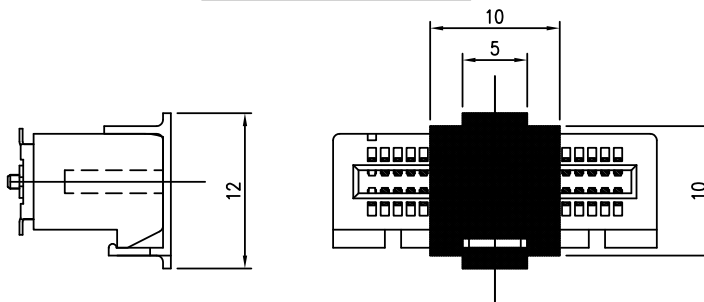
Copyright FCI



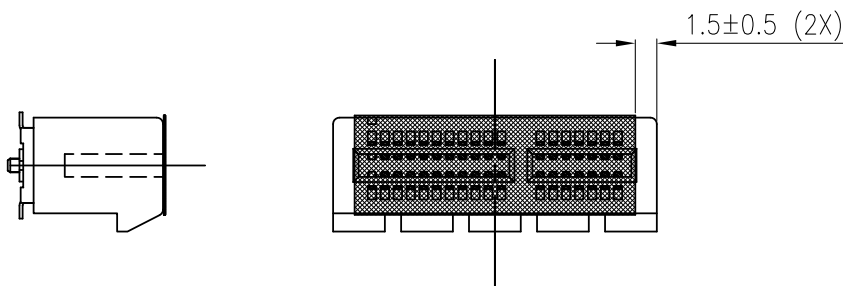
RECOMMENDED PCB LAYOUT, PAD TYPE

DIMENSIONS								
POSITION	A	B $\pm 0.15$ $-0.05$	C $\pm 0.20$	D $\pm 0.23$	E $\pm 0.20$	H $\pm 0.10$	J	K $\pm 0.10$
36	6.00	7.65	9.15	25.00	27.00	28.00	6.00	9.15
64	20.00	21.65	23.15	39.00	41.00	42.00	20.00	23.15
98	37.00	38.65	40.15	56.00	58.00	59.00	37.00	40.15
164	70.00	71.65	73.15	89.00	91.00	92.00	70.00	73.15

POSTION OF CAP



POSTION OF MYLAR

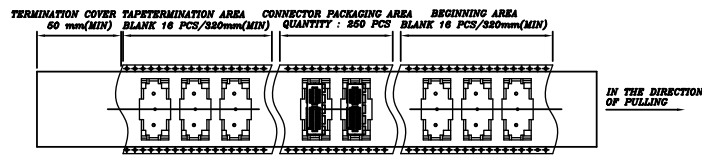
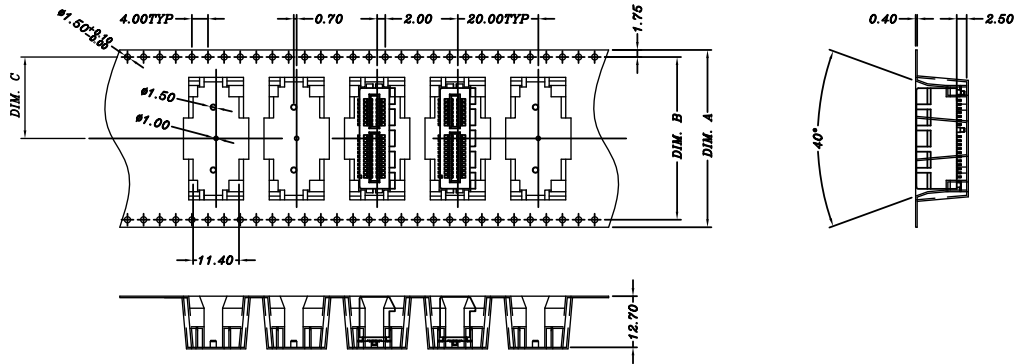


FCI  
FCIconnect.com

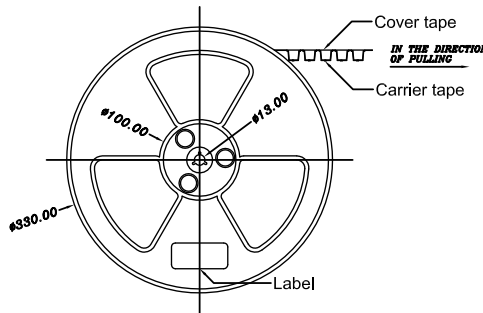
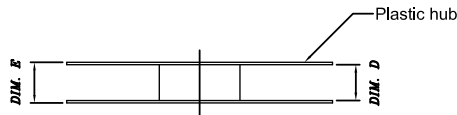
Copyright FCI

mat'l. code				surface 58 ✓ ISO 1302		tolerance ISO 406 ISO 101		projection		product family PCI_EXPRESS		
ltr	ecn no	dr	date	tolerances unless otherwise specified				title				
H	-	-	-	angles		.X±.2		MM		PCI_EXPRESS_CARD_EDGE ASSEMBLY(SMT)		
				0'±2'		.XX±.13		scale 2		dwg no sheet 3 of 6 size		
				dr	MAGGIE_WU	06'/6/21			10061913		A4	
				engr	RICHARD_CHIU	06'/6/21			type		CUSTOMER Drawing	
				chr	PAUL_WANG	06'/6/21						
				app	JOSEPH_HZIA	06'/6/21						
sheet index		revision sheet										





COMPOSITION OF PACKAGING



TAPE AND REEL PACKING PRESENTED WITH 36PINS

DIMENSIONS					
POSITIONS	A	B	C	D REF.	E REF.
36	44.00	40.40	20.20	44.5	50.5
64	56.00	52.60	26.30	56.4	60.4

mat'l. code				surface 58		tolerance		projection		product family			
-				ISO 1302		ISO 406 ISO 101				PCI_EXPRESS			
ltr	ecn no	dr	date	tolerances unless otherwise specified				title					
H	-	-	-	angles		.X±.3		MM		PCI_EXPRESS_CARD_EDGE ASSEMBLY(SMT)			
				linear		.XX±.20		scale 1		dwg no		sheet 5 of 6	size
				dr	MAGGIE_WU	06'/6/21			10061913		A4		
				engr	RICHARD_CHIU	06'/6/21							
				chr	PAUL_WANG	06'/6/21							
				app	JOSEPH_HZIA	06'/6/21							
sheet index		revision sheet								type		CUSTOMER Drawing	



FCIconnect.com

Copyright FCI

