

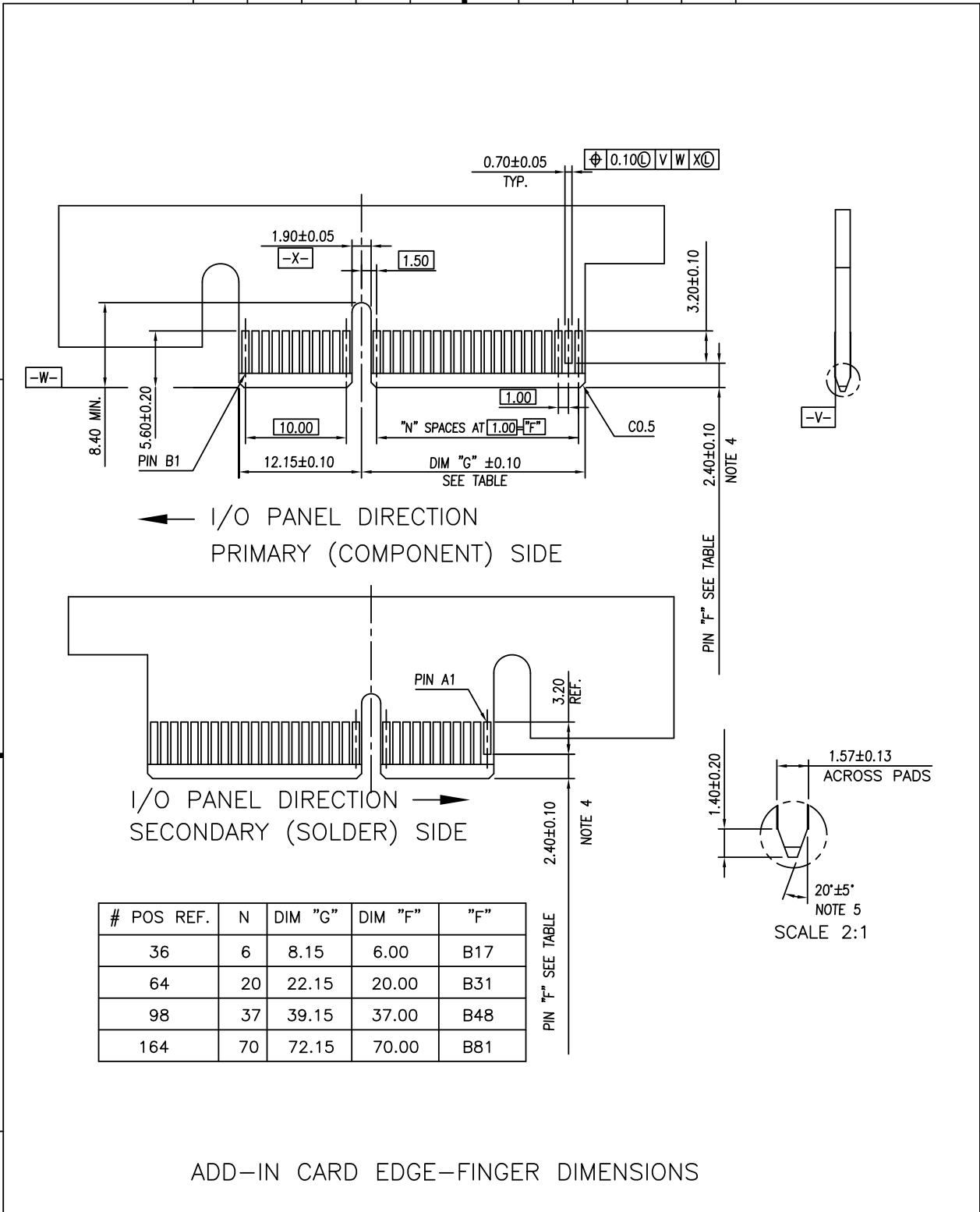
HOLD DOWN TYPE



FCIconnect.com

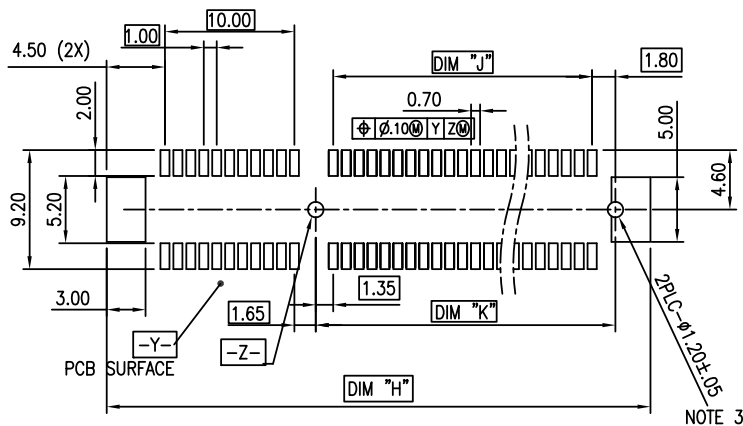
Copyright FCI

mat'l. code		-		surface	58	tolerance	ISO 1302	ISO 406	ISO 101	projection	product family	PCI_EXPRESS		
ltr	ecn no	dr	date	tolerances unless otherwise specified							title			
B	T07-0005	RC	02/06/'07	angles	linear	.X±.3			MM	PCI_EXPRESS_CARD_EDGE ASSEMBLY(SMT)				
C	T07-1083	RC	05/25/'07	0'±2'			XXX±.10	scale		1	dwg no		sheet 1 of 6	size
D	T07-1120	RC	07/31/'07								10061913		A4	
E	DG08-0111	RC	05/08/'08	dr	MAGGIE_WU	06'/6/21					type		CUSTOMER Drawing	
F	T08-1097	RC	06/03/'08	engr	RICHARD_CHIU	06'/6/21								
G	T08-1188	JH	10/23/08	chr	PAUL_WANG	06'/6/21								
H	T10-0007	JH	1/30/10	appc	JOSEPH_HSI	06'/6/21								
sheet index	revision sheet	H	H	H	H	H	H	H						
		1	2	3	4	5	6							



ADD-IN CARD EDGE-FINGER DIMENSIONS

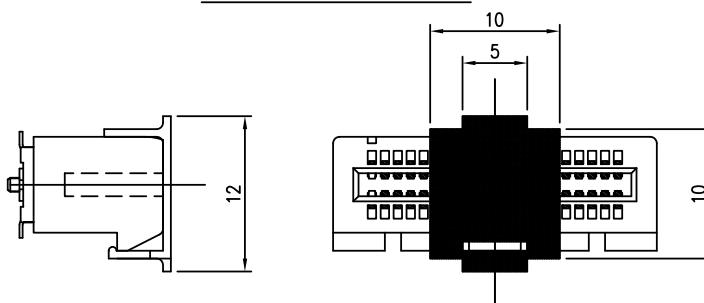
mat'l. code				surface 58		tolerance		projection		product family	
-				ISO 1302		ISO 406 ISO 101				PCI_EXPRESS	
ltr	ecn no	dr	date	tolerances unless otherwise specified				title			
H	-	-	-	angles		.X±.2		MM		PCI_EXPRESS_CARD_EDGE ASSEMBLY(SMT)	
				linear		.XX±.13		scale 2		dwg no sheet 2 of 6 size	
				0°±2°		XXX±.05				10061913 A4	
				dr	MAGGIE_WU	06'/6/21			type		CUSTOMER Drawing
				engr	RICHARD_CHIU	06'/6/21					
				chr	PAUL_WANG	06'/6/21					
				app	JOSEPH_HZIA	06'/6/21					
sheet index	revision sheet										



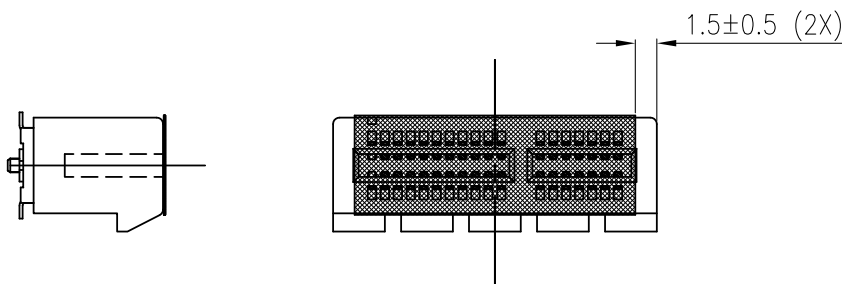
RECOMMENDED PCB LAYOUT, PAD TYPE

DIMENSIONS								
POSITION	A	B ± 0.15 -0.05	C ± 0.20	D ± 0.23	E ± 0.20	H ± 0.10	J	K ± 0.10
36	6.00	7.65	9.15	25.00	27.00	28.00	6.00	9.15
64	20.00	21.65	23.15	39.00	41.00	42.00	20.00	23.15
98	37.00	38.65	40.15	56.00	58.00	59.00	37.00	40.15
164	70.00	71.65	73.15	89.00	91.00	92.00	70.00	73.15

POSTION OF CAP



POSTION OF MYLAR



mat'l. code				surface 58 ✓		tolerance ISO 406 ISO 101		projection		product family	
-				ISO 1302		ISO 101		MM		PCI_EXPRESS	
ltr	ecn no	dr	date	tolerances unless otherwise specified				title			
H	-	-	-	angles		.X±.2		PCI_EXPRESS_CARD_EDGE ASSEMBLY(SMT)			
				linear		.XX±.13		scale 2			
				0'±2'		XXX±.05		FCI		dwg no sheet 3 of 6 size	
				dr	MAGGIE_WU	06'/6/21			10061913		A4
				engr	RICHARD_CHIU	06'/6/21			type		CUSTOMER Drawing
				chr	PAUL_WANG	06'/6/21					
				app	JOSEPH_HSIA	06'/6/21					
sheet index		revision sheet									

NOTES:

- 1.MATERIAL:
 - HOUSING: NYLON, GLASS FILLED UL94V-0 RATE, SUITABLE FOR I.R SOLDERING.
 - TERMINAL: COPPER ALLOY
 - PLATING: 50u" NICKEL UNDERPLATE ALL OVER
CONTACT AREA PLATING - SEE PRODUCT NUMBER CODE
SOLDER TAIL: TIN 100u" OVER 50u" NICKEL
 - METAL PADS: COPPER ALLOY
FINISH: 100u" TIN OVER 50u" NICKEL
- 2.PRODUCT SPECIFICATION: GS-12-390
- ③ THE HORIZONTAL AXIS FOR THE PAD PATTERN IS ESTABLISHED BY A LINE THROUGH THE CENTER OF THE TWO Ø1.0 HOLES.
THE VERTICAL AXIS IS 90° TO THE HORIZONTAL AXIS, THROUGH THE CENTER OF DATUM [E-Z]
- ④ NO TIE BAR PERMITTED FROM CARD EDGE TO LEADING EDGE OF PAD FOR PINS A1.
- ⑤ CHAMFER EDGES MUST BE FREE OF CUTTING BURRS.
- 7.RoHS COMPATIBLE PRODUCT SPECIFICATIONS
 - a - PLATING:
 - "LF" MEANS THE PRODUCT IS LEAD-FREE, 2um MINIMUM MATTE TIN OVER 1.27um MINIMUM NICKEL UNDERPLATE.
 - b - MANUFACTURING PROCESS COMPATIBILITY
 - THE HOUSING WILL WITHSTAND EXPOSURE TO 260°C±5°C PEAK TEMPERATURE FOR 5 SECONDS IN A CONVECTION, INFRA-RED OR VAPOR PHASE REFLOW OVEN.

PRODUCT NUMBER CODE

10061913-X X X X L F

HOUSING COLOR OPTIONS

- 0-WHITE
- 1-BLACK

LEAD FREE

PACKAGING OPTIONS

- T-TRAY PACKAGING WITHOUT CAP
- R-TAPE & REEL PACKING WITHOUT CAP OR MYLAR (FOR 36P & 64P OPTION ONLY)
- P-TAPE & REEL PACKING WITH CAP (FOR 36P & 64P OPTION ONLY)
- C-TRAY PACKAGING WITH CAP
- M-TAPE & REEL PACKING WITH MYLAR (FOR 36P & 64P OPTION ONLY)
- N-TRAY PACKAGING WITH MAYLAR
- Y-HARD TRAY (FOR 164P ONLY)
- Z-HARD TRAY PACKAGING WITH MAYLAR (FOR 164P ONLY)

TERMINAL PLATING OPTIONS

- 0-50u" Ni UNDERPLATE
- 30u" Au CONTACT AREA
- 100u" TIN TAIL AREA ----- COMPATIBLE RoHS
- 1-50u" Ni UNDERPLATE
- 15u" Au CONTACT AREA
- 100u" TIN TAIL AREA ----- COMPATIBLE RoHS
- 2-50u" Ni UNDERPLATE
- GOLD FLASH CONTACT AREA
- 100u" TIN TAIL AREA ----- COMPATIBLE RoHS

POS OPTIONS

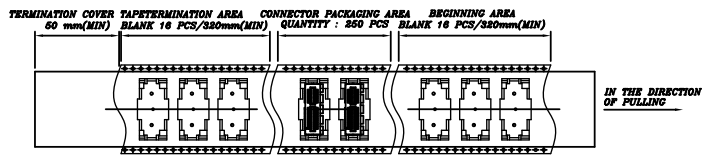
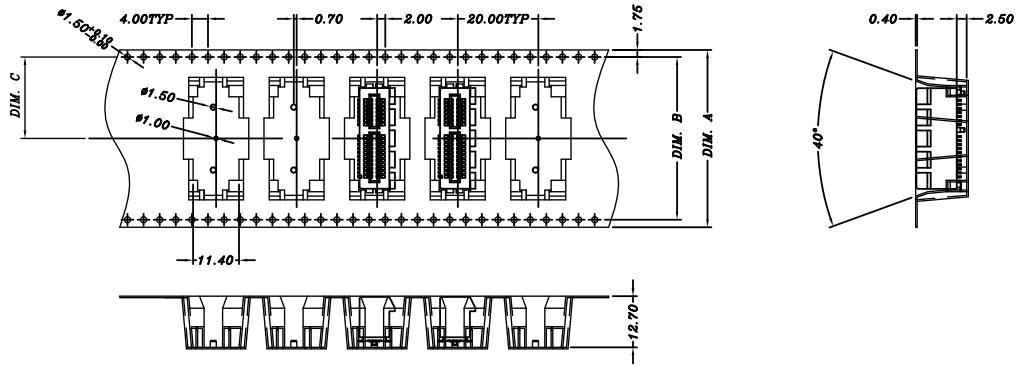
- 0-36
- 1-64
- 2-98
- 3-164

mat'l. code				surface ⁵⁸ <input checked="" type="checkbox"/> ISO 1302		tolerance ISO 406 ISO 101		projection		product family PCI_EXPRESS			
ltr	ecn no	dr	date	tolerances unless otherwise specified		angles		MM		title PCI_EXPRESS_CARD_EDGE ASSEMBLY(SMT)			
H	-	-	-	linear .XX±.13		0'±2'		scale 2		dwg no		sheet 4 of 6	size
				dr	MAGGIE_WU	06'6/21			10061913		A4		
				engr	RICHARD_CHIU	06'6/21							
				chr	PAUL_WANG	06'6/21							
				app	JOSEPH_HSIA	06'6/21							
sheet index		revision sheet								type CUSTOMER Drawing			

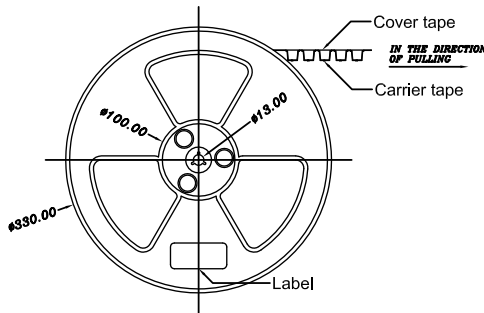
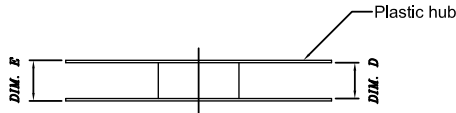


FCIconnect.com

Copyright FCI



COMPOSITION OF PACKAGING



TAPE AND REEL PACKING PRESENTED WITH 36PINS

DIMENSIONS				
POSITIONS	A	B	C	D REF. E REF.
36	44.00	40.40	20.20	44.5 50.5
64	56.00	52.60	26.30	56.4 60.4

mat'l. code		surface 58		tolerance		projection		product family		
-		ISO 1302		ISO 406 ISO 101				PCI_EXPRESS		
ltr	ecn no	dr	date	tolerances unless otherwise specified		title				
H	-	-	-	angles	.X±.3	MM		PCI_EXPRESS_CARD_EDGE ASSEMBLY(SMT)		
				linear	.XX±.20	scale 1				
				0'±2'	XXX±.10					
		dr	MAGGIE_WU	06' / 6 / 21			dwg no		sheet 5 of 6	size
		engr	RICHARD_CHIU	06' / 6 / 21			10061913		A4	
		chr	PAUL_WANG	06' / 6 / 21						
		app	JOSEPH_HSIANG	06' / 6 / 21						
sheet index	revision sheet						type		CUSTOMER Drawing	



FCIconnect.com

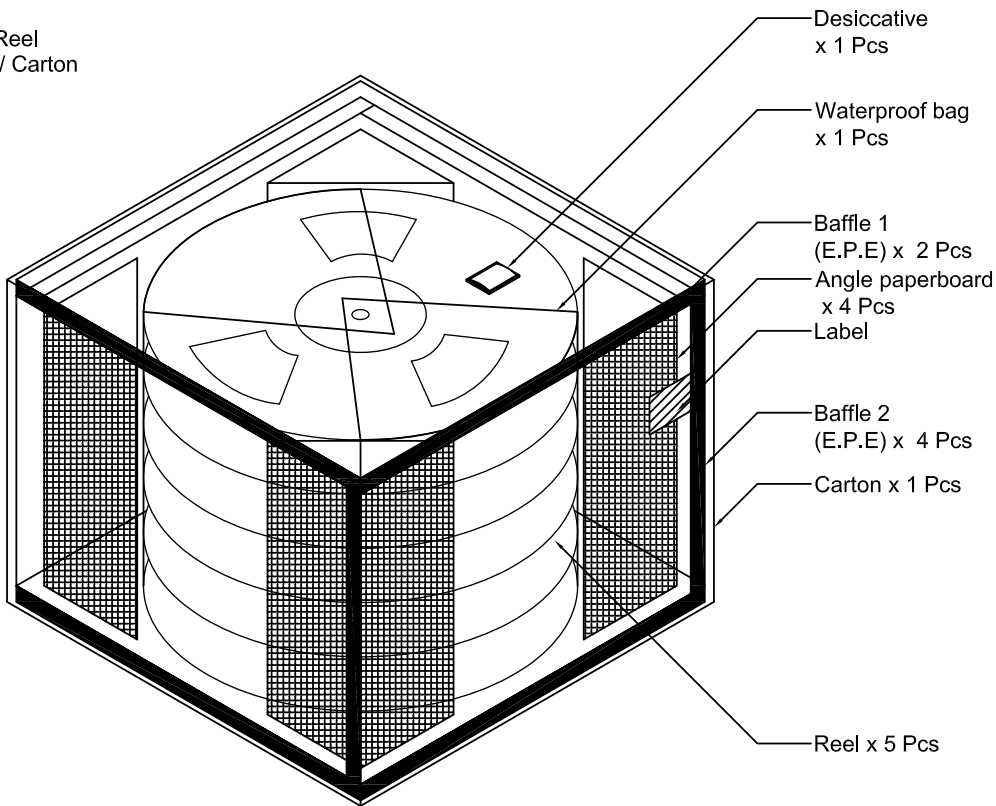
Copyright FCI

1 TAPE & REEL PACKING FOR PCI EXPRESS SMT TYPE 36P.

- 2. Material :
 - 2.1 Reel :
 - 2.1.1 Plastic hub : High Impact Polystyrene
 - 2.1.2 Cover tape : PE
 - 2.1.3 Carrier tape : ABS
 - 2.2 Waterproof bag : PE
 - 2.3 Desiccative : Silica Gel
 - 2.4 Carton : Corrugated paper
 - 2.5 Baffle : E.P.E
 - 2.6 Angle paperboard : Corrugated paper

- 3. Dimension :
 - 3.1 Reel :
 - 3.1.1 Plastic hub : $\phi 330 \times T50.5$ mm
 - 3.1.2 Cover tape : $5690(L) \times 37.4(W)$ mm
 - 3.1.3 Carrier tape : $5640(L) \times 44(W)$ mm
 - 3.2 Waterproof bag : $600(H) \times 465(W) \times 0.06(T)$ mm
 - 3.3 Desiccative : 25 gram / Package
 - 3.4 Carton : $380(L) \times 380(W) \times 300(H)$ mm
 - 3.5 Baffle (1): $370(L) \times 370(W) \times 15(H)$ mm
 - 3.6 Baffle (2): $355(L) \times 252(W) \times 15(H)$ mm
 - 3.7 Angle paperboard : 252(H)

- 4. Quantity :
 - 4.1 250 Pcs / Reel
 - 4.2 1,250 Pcs / Carton



A

A

B

B

C

C

mat'l. code -				surface ISO 1302	tolerance ISO 406 ISO 101	projection	product family PCI_EXPRESS			
ltr	ecn no	dr	date	tolerances unless otherwise specified			title			
H	-	-	-	angles	linear	MM	PCI_EXPRESS_CARD_EDGE ASSEMBLY(SMT)			
				0'±2'	.X±.3	scale 1	dwg no 10061913		sheet 6 of 6	size A4
				dr	MAGGIE_WU	06'/6/21			type CUSTOMER Drawing	
				engr	RICHARD_CHIU	06'/6/21				
				chr	PAUL_WANG	06'/6/21				
				appd	JOSEPH_HSIA	06'/6/21				
sheet index	revision sheet									

D

D



Copyright FCI