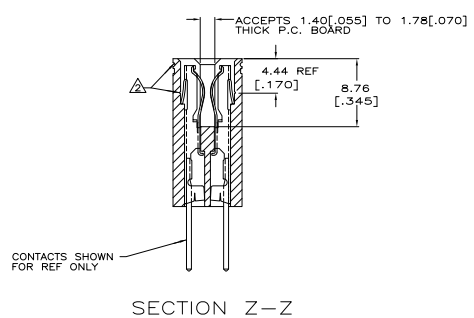
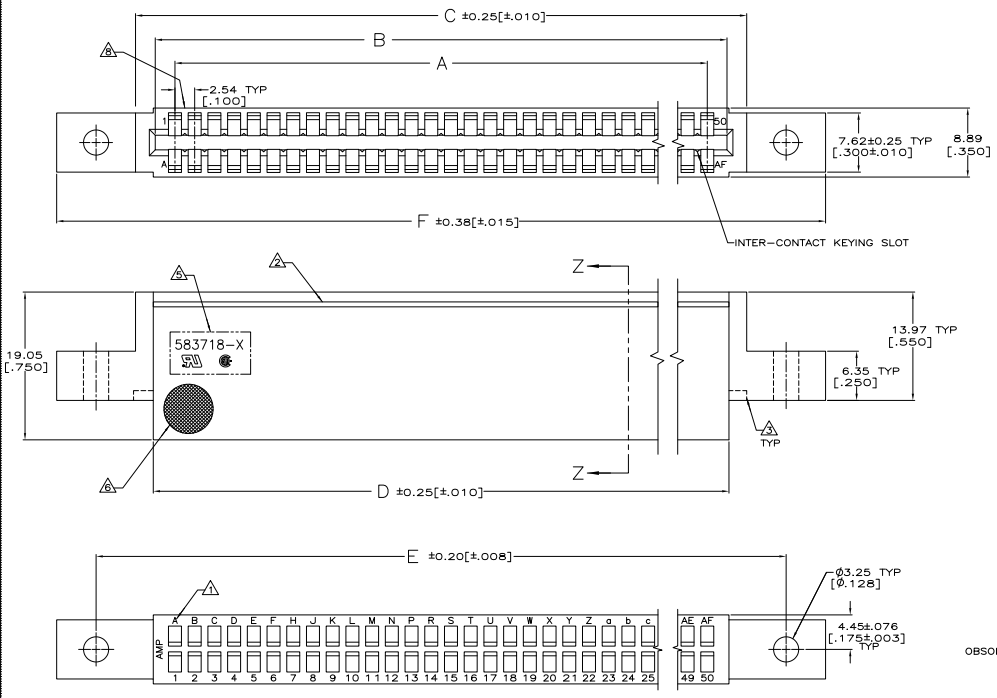


REV	DATE	DESCRIPTION	BY	CHK	APP
AD	00	REVISED PER EDD-11-00294			



50 & AF	154.94	141.61	130.05	134.62	129.54	124.46	50	3-583718-7
18 & v	6.100	5.700	5.120	5.300	5.100	4.900	18	3-583718-0
32 & l	2.900	2.500	1.920	2.100	1.900	1.700	32	2-583718-7
40 & v	129.54	119.38	104.65	109.22	104.14	99.06	40	2-583718-6
22 & z	3.300	2.900	2.320	2.500	2.300	2.100	22	2-583718-5
36 & j	91.44	81.28	66.55	71.12	66.04	60.96	36	2-583718-4
15 & s	66.04	55.88	41.15	45.72	40.64	35.56	15	2-583718-3
22 & z	83.82	73.66	58.93	63.50	58.42	53.34	22	2-583718-2
25 & c	3.300	2.900	2.320	2.500	2.300	2.100	25	2-583718-1
50 & AF	154.94	141.61	130.05	134.62	129.54	124.46	50	1-583718-7
40 & v	129.54	119.38	104.65	109.22	104.14	99.06	40	1-583718-5
30 & j	91.44	81.28	66.55	71.12	66.04	60.96	30	1-583718-3
25 & c	66.04	55.88	41.15	45.72	40.64	35.56	25	1-583718-1
22 & z	83.82	73.66	58.93	63.50	58.42	53.34	22	583718-9
18 & v	73.66	63.50	48.77	53.34	48.26	43.18	18	583718-7
17 & u	2.900	2.500	1.920	2.100	1.900	1.700	17	583718-5
15 & s	66.04	55.88	41.15	45.72	40.64	35.56	15	583718-3
10 & l	2.100	1.700	1.120	1.300	1.100	0.900	10	583718-1

- ▲ FIRST 22 POSITIONS MARKED WITH UPPER CASE LETTERS, FOLLOWED BY LOWER CASE LETTERS, FOLLOWED BY UPPERCASE AA, AB, AC, ETC. CHARACTERS G, I, O AND Q ARE OMITTED. SEE TABLE FOR END CAVITY IDENTIFICATION.
- ▲ OPTIONAL PULL GROOVES, THE PULL GROOVE LENGTH, SIZE AND LOCATION ARE AT THE DISCRETION OF THE MOLD VENDOR.
- ▲ CORING AT AMP'S OPTION REF ONLY.
- ▲ SAME AS 583718-9 EXCEPT SPECIAL MARKING SEE SHEET 2 FOR DETAIL.
- ▲ HOUSING PART NUMBER, UL & CSA LOGO'S TO BE MOLDED IN THIS AREA. UL, LOGO PER 1-18838-3, CSA LOGO PER 1-18839-3.
- ▲ STAMP .250±0.15 DIA DOT ON LOWER LEFT HAND CORNER SAME SIDE AS AMP PART NUMBER AND DATE CODE.
- ▲ SAME AS 1-583718-7 EXCEPT SPECIAL MARKING SEE SHEET 2 FOR DETAIL.
- ▲ DATE CODE TO BE MOLDED IN THIS AREA

END CAVITY IDENT	F	E	D	C	B	A	POSN	PART NUMBER
50 & AF								
18 & v								
32 & l								
40 & v								
22 & z								
36 & j								
15 & s								
22 & z								
25 & c								
50 & AF								
40 & v								
30 & j								
25 & c								
22 & z								
18 & v								
17 & u								
15 & s								
10 & l								

THIS DRAWING IS A CONTROLLED DOCUMENT. IN PROCESS. SUPPLY TO THE BAKER. DATE: 05/01/11. REVISED PER EDD-11-00294. HOUSING, CRIMP SNAP TWIN LEAF 100CL, WITH MOUNTING EARS. SIZE: 4.1. SHEET: 1 OF 2. UTI

