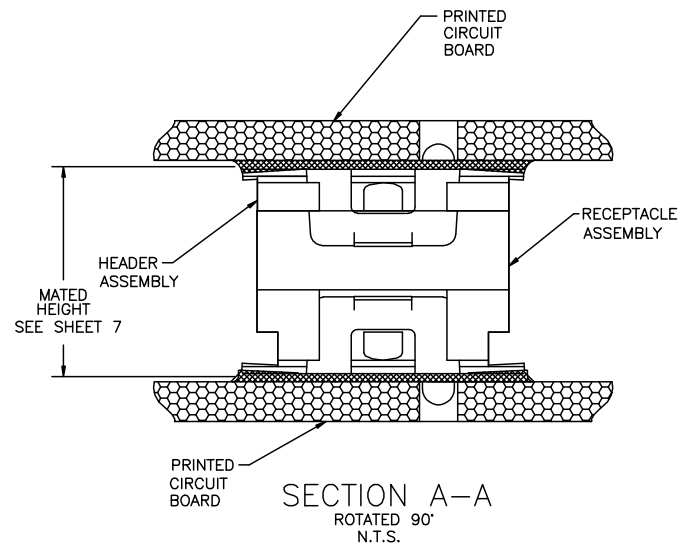


PRODUCT NUMBER
SEE TABLE



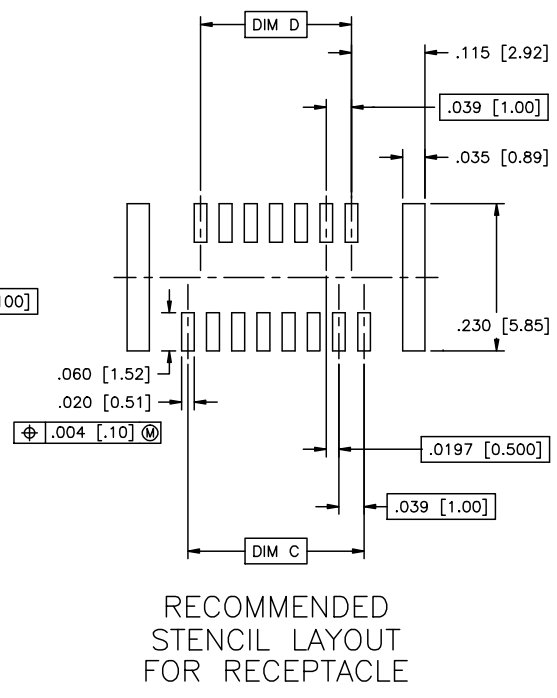
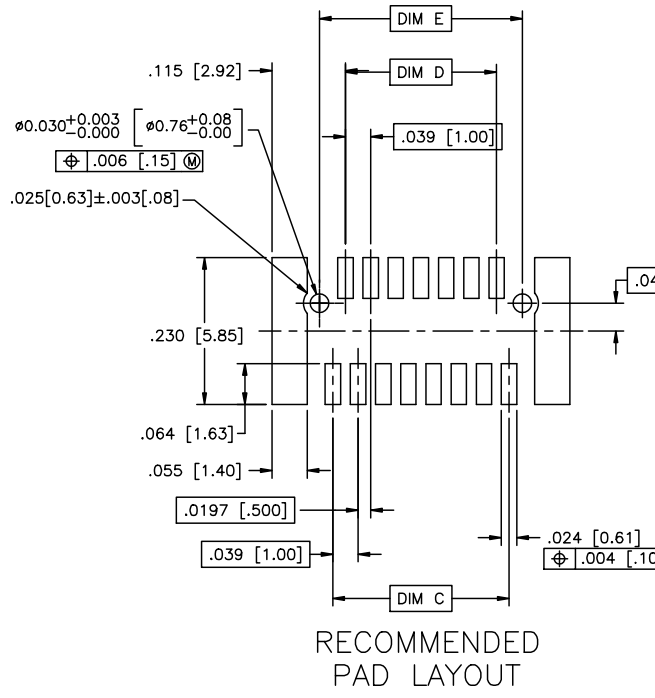
mal'l. code		surface	tolerance	projection	product family
		ISO 1902	ISO 1436 ISO 1101		CONAN
lfr	ecp no	dr	date	title	
Y	W03-1347	AA	12/20/01	CONAN™ CONNECTOR ASSEMBLY	
AA	W04-0190	MHT	9/24/04	INCH/MM	
AB	M05-0110	MHT	5/26/05	scale 5:1	
AC	M06-0232	AGS	06/12/08	dwg no	
AD	M06-0373	MHT	9/26/06	sheet 1 of 7	
AE	M08-0012	AGS	1/11/08	size	
AF	M08-0287	MHT	10/02/08	A3	
sheet	revision	AF	AF	type	
index	sheet	1	2	Product Customer Drawing	



mal'l. code		surface	tolerance	projection	product family
ISO 902		ISO 406	ISO 1001	CONAN	CONAN
Intolerances unless otherwise specified		linear		INCH/MM	title
angles		.001/.01/.010.3		5:1	CONAN™ CONNECTOR ASSEMBLY
0° ± 2°		.001 ± .005 / .001 ± 0.13		scale	dwg no
		.001 ± .000 / .001 ± 0.05		5:1	91900
sheet		dr	R. SEIPLE 11/13/91	FCJ	sheet 2 of 7
revision		engr	D. HORCHLER 01/10/92		size
index		chr	D. HORCHLER 01/10/92		A3
		appd	D. HORCHLER 01/10/92		type
					Product Customer Drawing

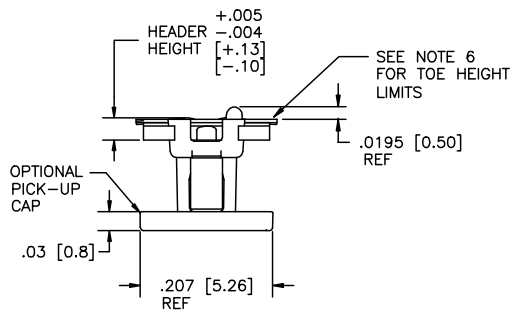


PRODUCT NUMBER
SEE TABLE



mal't. code		surface	tolerance	projection	product family
ISO 1902		ISO 1902	ISO 1436 ISO 1001	ISO 1001	CONAN
ltr	ecm no	dr	date	title	
AF				CONAN™ CONNECTOR ASSEMBLY	
angles		linear	XXL01/XX03 XXL05/XX01.13 XXX±000/XXX0.05	INCH/MM	dwg no
0°±2'				scale 5:1	sheet 3 of 7
dr	R.SEIPLE	11/13/91			size
eng	D.HORCHLER	01/10/92			A3
chr	D.HORCHLER	01/10/92			91900
app	D.HORCHLER	01/10/92			type Product Customer Drawing
sheet index	revision sheet				

PRODUCT NUMBER
SEE TABLE



mal'l. code		surface		tolerance		projection		product family	
ISO 1902		ISO 1436		ISO 1001		INCH/MM		CONAN	
itr		ecn no		date		tolerances unless otherwise specified		title	
AF						XX±.01/XX±0.3		CONAN™ CONNECTOR ASSEMBLY	
						XX±.005/XX±0.13		dwg no	
						XX±.000/XX±0.05		91900	
						scale 5:1		sheet 4 of 7	
						FCJ		size A3	
sheet		revision		date		type		Product Customer Drawing	
index		sheet							



Copyright FCI

mal't. code		surface		tolerance		projection		product family	
ISO 1902		ISO 1406		ISO 1001		ASME Y14.5		CONAN	
itr		ecn no		dr		date		title	
AF								CONAN™ CONNECTOR ASSEMBLY	
angles		linear		XX±.01/XX±0.3		INCH/MM		dwg no	
0°±2'		XXX±.005/XXX±0.13		XXX±.000/XXX±0.05		scale 5:1		sheet 5 of 7	
dr		engr		chr		appd		size	
R.SEIPLE 11/13/91		D.HORCHLER 01/10/92		D.HORCHLER 01/10/92		D.HORCHLER 01/10/92		A3	
sheet		revision		sheet		type		Product Customer Drawing	
Index									

PRODUCT NUMBER	POS	DIM "A"	DIM "C"	DIM "D"	DIM "E"
919TC-WXY09					
↑ -WXY09LF	9	.366 [9.30]	.157 [4.00]	.118 [3.00]	.1990 [5.055]
-WXY11	11	.406 [10.30]	.197 [5.00]	.157 [4.00]	.2380 [6.045]
-WXY15	15	.484 [12.30]	.276 [7.00]	.236 [6.00]	.3170 [8.052]
-WXY21	21	.602 [15.30]	.394 [10.00]	.354 [9.00]	.4350 [11.049]
-WXY25	25	.681 [17.30]	.472 [12.00]	.433 [11.00]	.5140 [13.056]
-WXY31	31	.800 [20.30]	.591 [15.00]	.551 [14.00]	.6320 [16.053]
-WXY41	41	.996 [25.30]	.787 [20.00]	.748 [19.00]	.8290 [21.057]
-WXY51	51	1.193 [30.30]	.984 [25.00]	.945 [24.00]	1.0260 [26.060]
-WXY69	69	1.547 [39.30]	1.339 [34.00]	1.299 [33.00]	1.3800 [35.052]
↓ -WXY69LF					

NOTES:

1. MATERIALS:

RECEPTACLE HOUSING - LCP, UL-94V-0. COLOR: NATURAL.

RECEPTACLE TERMINALS - COPPER ALLOY, PLATED WITH 15u"/.38u GXT™ IN CONTACT AREA AND 100u"/2.54u Sn ON SOLDER LEGS WITH AN OVERALL 50u"/1.27u Ni UNDERPLATE.

HEADER HOUSING - LCP, UL-94V-0. COLOR: NATURAL.

HEADER TERMINALS - COPPER ALLOY, PLATED WITH 15u"/.38u GXT™ IN CONTACT AREA AND 100u"/2.54u Sn ON SOLDER LEGS WITH AN OVERALL 50u"/1.27u Ni UNDERPLATE.

RETENTION DEVICE - BRASS, PLATED WITH 100u"/2.54u Sn OVER NICKEL.

2. REFERENCE GS-12-006 FOR PRODUCT PERFORMANCE DATA.

③ SEE TA-774 FOR FURTHER DESCRIPTION OF HOW THIS DIMENSION IS APPLIED.

④ PICK AND PLACE CAP OR TAPE IS ONLY AVAILABLE WITH OPTION 3 PACKAGING. (PSA ADHESIVE SEALED). ALSO, PSA PACKAGING REQUIRES A PICK AND PLACE CAP.

5. RECOMMENDED SOLDER PASTE THICKNESS IS .006 TO .008 INCHES THICK.

⑥ THE TOE HEIGHT OF THE SOLDER TAIL SHALL BE MEASURED FROM THE LOWEST POINT OF THE .004 CO-PLANARITY GRAVITY PLANE. THIS MEASUREMENT IS NOT TO EXCEED A WINDOW OF .000 TO .007 INCHES.

⑦ THREE SLOTS MAY BE LOCATED AT EITHER END OF HOUSING.

⑧ 5.50mm MATED HEIGHT IS ONLY AVAILABLE IN 9, 15 AND 31 POS.

⑨ 7.50mm MATED HEIGHT IS ONLY AVAILABLE IN 9 POS.

⑩ APPLIES TO 91921-3XYZZ AND 91931-3XYZZ OPTIONS ONLY.

11. THE HOUSING WILL WITHSTAND EXPOSURE TO 260°C PEAK TEMPERATURE FOR 30 SECONDS IN A CONVECTION INFRA RED OR VAPOR PHASE REFLOW OVEN. SEE APPLICATION/PROCEDURES IF THEY ARE AVAILABLE.

⑫ PRODUCT WITH "LF" AT THE END MEETS EUROPEAN UNION DIRECTIVES AND OTHER COUNTRY REGULATION AS DESCRIBED IN GS-22-008.

mal't. code		surface		tolerance		projection		product family	
		ISO 1902		ISO 406		1st angle		CONAN	
itr		ecn no		date		tolerances unless otherwise specified		title	
AF						XXE.01/14.03		CONAN™ CONNECTOR ASSEMBLY	
		angles		linear		XXE.005/XXE.013		INCH/MM	
		0°±2'		XXE.000/XXE.005		scale 5:1		dwg no	
		dr		R.SEIPLE		11/13/91		sheet 6 of 7	
		eng		D.HORCHLER		01/10/92		size	
		chr		D.HORCHLER		01/10/92		A3	
		appd		D.HORCHLER		01/10/92		type	
sheet		revision						Product Customer Drawing	
index		sheet							

PDM: Rev:AF

STATUS:Released

Printed: Oct 12, 2010



Copyright FCI

PRODUCT NUMBER
SEE TABLE

CONAN ASSEMBLY PART NUMBER

919 T C - W X Y ZZ LF

LEAD FREE OPTION
SEE NOTE 12

TYPE	T
HEADER WITH NO PEGS	0
HEADER WITH PEGS	1
RECEPTACLE WITH NO PEGS	2
RECEPTACLE WITH PEGS	3

PICK AND PLACE CAP OR TAPE (NOTE 4)	C
WITHOUT CAP OR TAPE	0
WITH CAP	1
WITH TAPE (RECEPTACLE ONLY)	2

PACKAGING	W
TUBE	2
PRESSURE SEALED TAPE & REEL	3

NOTE 4

Y	HEADER HEIGHT	RECEPTACLE HEIGHT	MATED HEIGHT	+0.010 -0.008 [+.25] [-.20]
1	.034 [.86]	.129 [3.28]	.163 [4.15]	
2	.048 [1.23]		.177 [4.50]	
3	.068 [1.73]		.197 [5.00]	
4	.107 [2.72]		.236 [6.00]	
5	.1465 [3.721]		.276 [7.00]	
6	.088 [2.23]		.216 [5.50]	
7	.1665 [4.229]		.296 [7.52]	

SEE Y=1
FOR ALL
RECEPTACLES

* NOTE 8
** NOTE 9

X	PLATING
1	15u"/.38u GXT™
2	30u"/.76u GXT™

ZZ	NUMBER OF POSITIONS
09	9
11	11
15	15
21	21
25	25
31	31
41	41
51	51
69	69

EXAMPLE: 91921-31125LF
IS A CONAN RECEPTACLE ASSEMBLY,
HAVING NO PEGS AND WITH A PICK AND PLACE CAP.
IT ALSO HAS GXT™ PLATING, IS .13 [3.2] HIGH AND 25
POSITIONS AND IS PACKAGED IN PRESSURE SEALED TAPE,
REEL AND LEAD FREE.

mal'l. code	surface ISO 902	tolerance ISO 406 ISO 1001	projection	product family CONAN
lfr	ecn no	dr	date	title CONAN™ CONNECTOR ASSEMBLY
AF				dwg no 91900
	angles	linear	INCH/MM	sheet 7 of 7
	0'±2'	XXX±.01/XXX±.03 XXX±.005/XXX±.013 XXX±.002/XXX±.005	scale 5:1	size A3
	dr	R.SEIPLE	11/13/91	type Product Customer Drawing
	eng	D.HORCHLER	01/10/92	
	chr	D.HORCHLER	01/10/92	
	appd	D.HORCHLER	01/10/92	
sheet index	revision sheet			