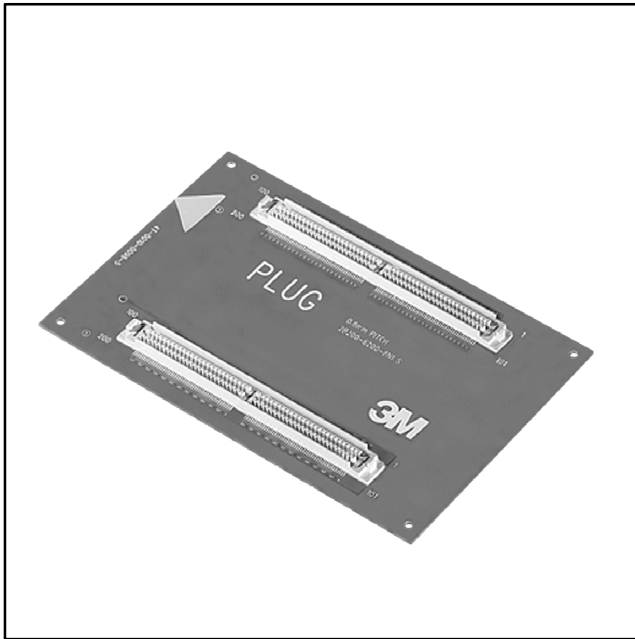


3M™ Pak 8 Surface Mount Plug

0.8 mm Straight, Board to Board

2B Series



- Low-profile interface requires only 5.0 mm space between parallel circuit boards
- Bellow style, beryllium-copper (BeCu) wipers ensure long term reliability
- 3 asymmetrical alignment posts correctly locate and orient product during placement
- Precise coplanarity on SMT tails simplifies manufacturing issues
- Polarized, snap-together interface provides a secure, easy to make connection

Date Modified: May 6, 2003

TS-0889-05
Sheet 1 of 3

Physical

Insulation

Material: Liquid Crystal Polymer (LCP)
Flammability: UL 94V-0
Color: Beige

Marking: 3M Logo and Orientation Triangle

Contact

Material: Copper Alloy

Plating

Underplate: 100 μ" [2.54 μm] Nickel—QQ-N-290, Class 2
Wiping Area: 30 μ" [0.76 μm] Gold—MIL-G-45204, Type II, Grade C
Solder Tails: 79 μ" [2.0 μm] 90/10 Tin Lead

Electrical

Current Rating: 0.5 A
Insulation Resistance: 500 Vdc for 60 Sec
Withstanding Voltage: 500 Vrms at Sea Level

Environmental

Operating Temperature Rating: -55°C to +85°C
Process Temperature Rating: Maximum 240°C, with 70 sec over 200°C

UL File No.: E68080

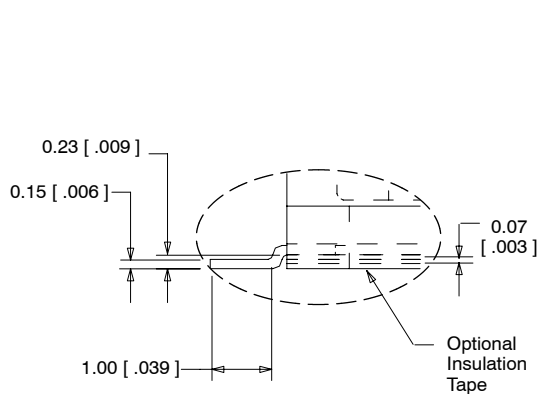
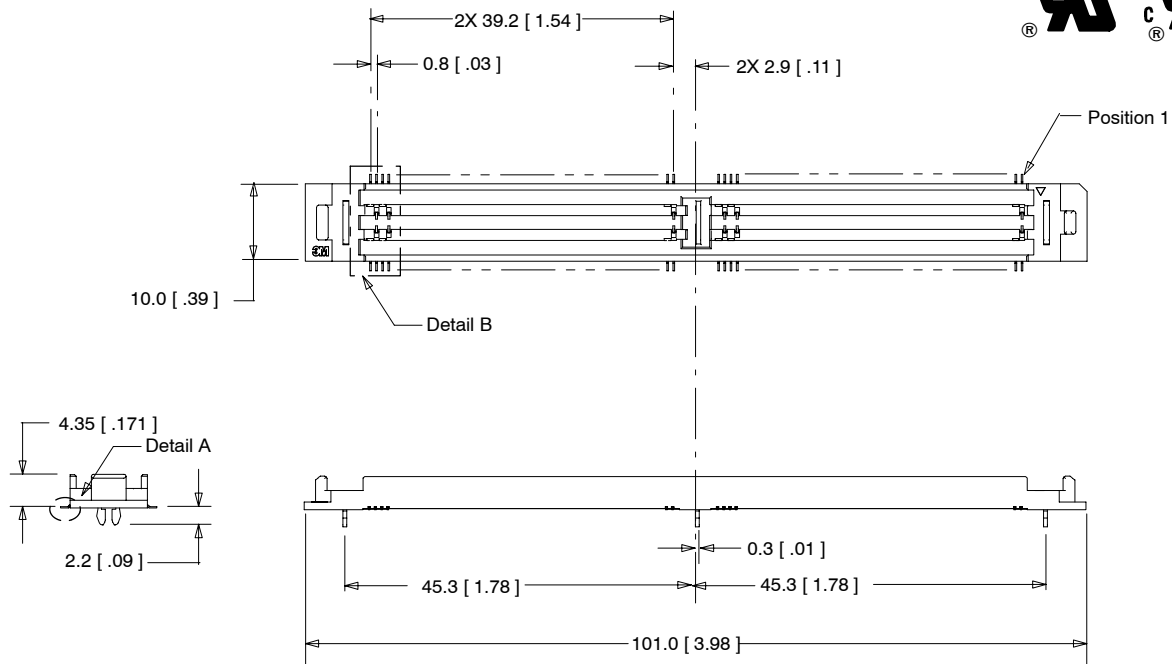
3M
Interconnect Solutions
<http://www.3M.com/interconnects/>

3M is a trademark of 3M Company.
For technical, sales or ordering information call
800-225-5373

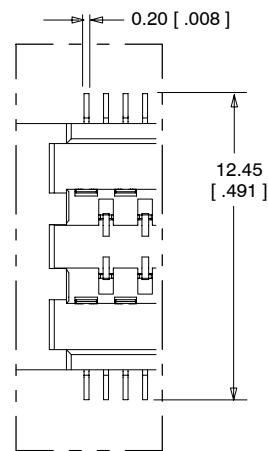
3M™ Pak 8 Surface Mount Plug

0.8 mm Straight, Board to Board

2B Series



Detail A



Detail B

mm [Inch]		
Tolerance Unless Noted		
	.0	.00
	.000	
mm	±.3	±.15

[] Dimensions for Reference only

Ordering Information

2B200-6200-8NX S

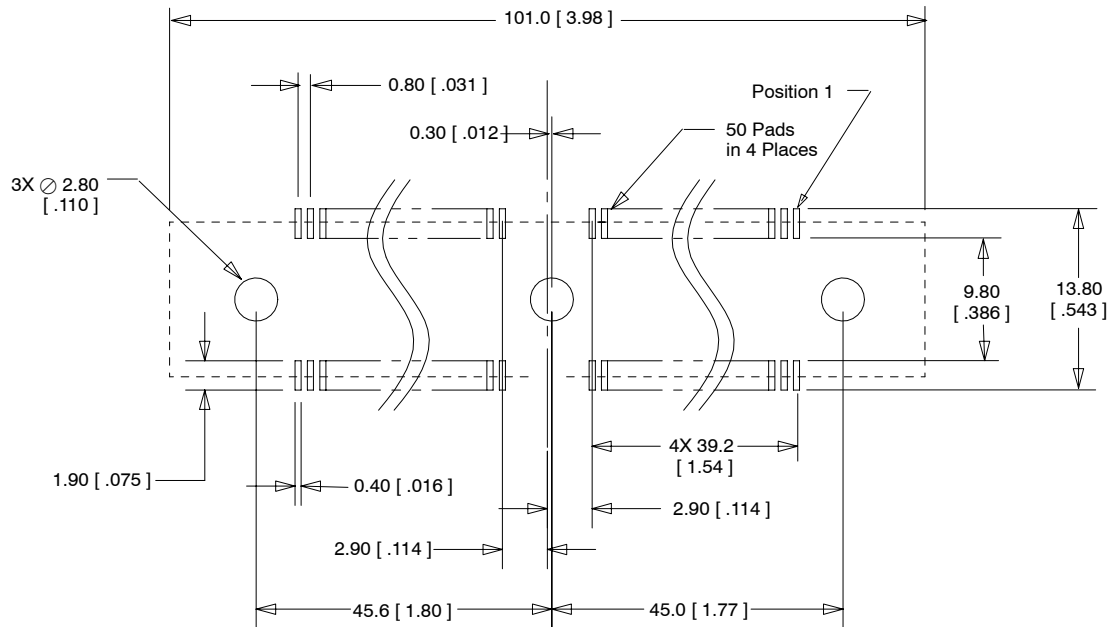
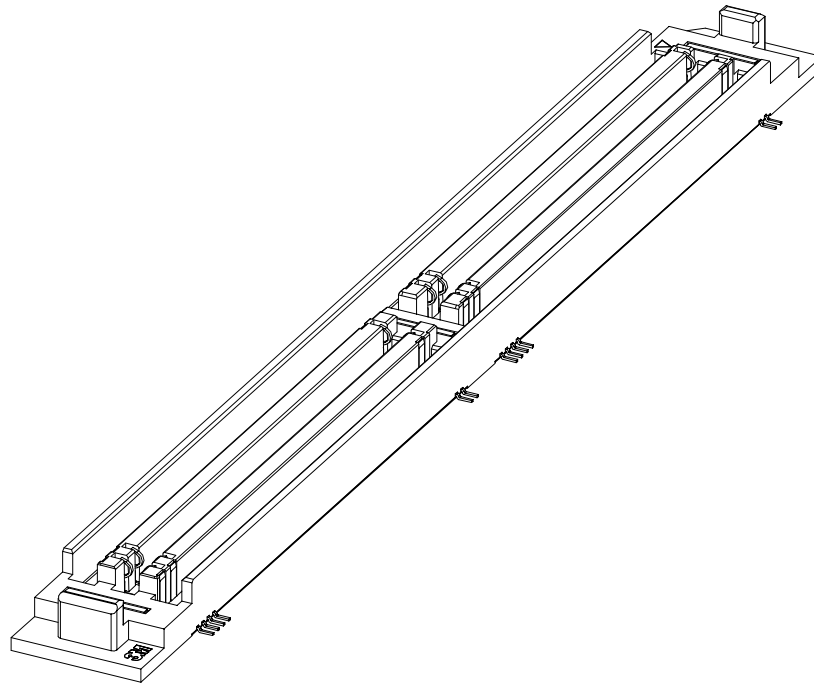
Insulation Tape
1 = with
2 = without

TS-0889-05
Sheet 2 of 3

3M™ Pak 8 Surface Mount Plug

0.8 mm Straight, Board to Board

2B Series



Recommended PCB Pattern

TS-0889-05
Sheet 3 of 3

Important Notice

All statements, technical information, and recommendations related to 3M's products are based on information believed to be reliable, but the accuracy or completeness is not guaranteed. Before using this product, you must evaluate it and determine if it is suitable for your intended application. You assume all risks and liability associated with such use. Any statements related to the product which are not contained in 3M's current publications, or any contrary statements contained on your purchase order shall have no force or effect unless expressly agreed upon, in writing, by an authorized officer of 3M.



Electronic and Interconnect Solutions Division

6801 River Place Blvd.
Austin, TX 78726-9000
www.3M.com/eisd

Warranty; Limited Remedy; Limited Liability.

This product will be free from defects in material and manufacture for a period of 1 year from the date of purchase. **3M MAKES NO OTHER WARRANTIES INCLUDING, BUT NOT LIMITED TO, ANY IMPLIED WARRANTY OF MERCHANTABILITY OR FITNESS FOR A PARTICULAR PURPOSE.** If this product is defective within the warranty period stated above, your exclusive remedy shall be, at 3M's option, to replace or repair the 3M product or refund the purchase price of the 3M product. **Except where prohibited by law, 3M will not be liable for any loss or damage arising from this 3M product, whether direct, indirect, special, incidental or consequential regardless of the legal theory asserted.**

© 3M 2003