

PRODUCT NUMBER  
76341-YXXXLF

WHEN NEEDED, SUFFIX LETTER "LF"  
INDICATES THE PRODUCT IS RoHS  
COMPATIBLE, SEE NOTE 5.

OPTIONAL LETTER

H: HIGH TEMPERATURE PRODUCT.

NUMBER OF POSITIONS: 02 TO 50.

PLATING CODE

3= 0.76µm GOLD ON CONTACT AREA.

3.81µm TIN-LEAD ON TAIL.

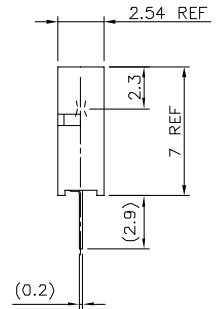
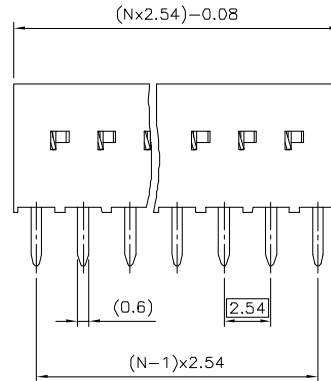
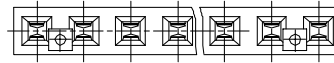
4= 5µm TIN-LEAD ON CONTACT AREA.

3.81µm TIN-LEAD ON TAIL.

WHEN SUFFIX "LF" IS REQUIRED, 2µm MIN MATTE  
TIN OVER 1.27 MIN Ni IS SUPPLIED INSTEAD OF SnPb.

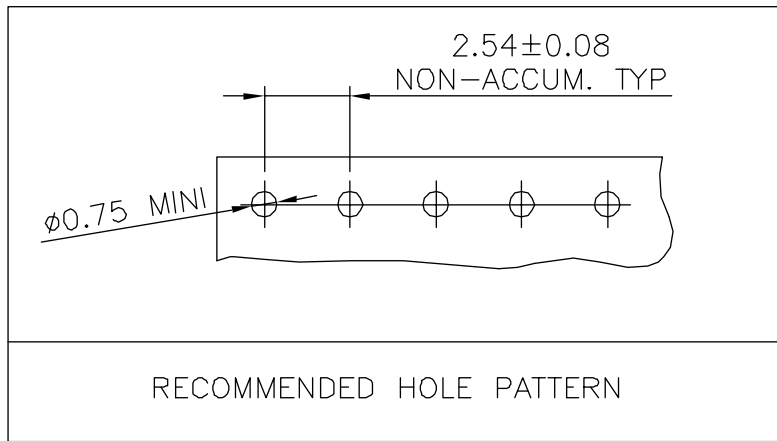
NOTES:

- 1 - HOUSING MAT'L: THERMOPLASTIC GLASS FILLED  
FLAME RETARDANT PER UL 94 V-0  
LOW TEMPERATURE: COLOR BLUE  
HIGH TEMPERATURE: COLOR GREY.
- 2 - TERMINAL MATERIAL: PHOSPHOR BRONZE.
- 3 - 2 UP TO 4 POSITIONS PRODUCT PACKED IN PLASTIC BOX.  
5 UP TO 50 POSITIONS PRODUCT PACKED IN TUBE.
- 4 - TO DETERMINE DIMENSIONS:  
N = NUMBER OF POSITIONS  
EXAMPLE: 8 POS: (N x 2.54) - 0.08 = 20.24 mm
- 5 - RoHS COMPATIBLE PRODUCT SPECIFICATIONS
  - a - PLATING:  
- "LF" MEANS THE PRODUCT IS LEAD-FREE,  
2µm MINIMUM MATTE TIN OVER 1.27µm  
MINIMUM NICKEL UNDERPLATE.
  - b - MANUFACTURING PROCESS COMPATIBILITY  
- THE HOUSING WILL WITHSTAND EXPOSURE TO  
260°C ±5°C SOLDER BATH TEMPERATURE FOR  
5 SECONDS IN A WAVE SOLDER APPLICATION  
WITH A 1.6mm MIN THICK CIRCUIT BOARD.
  - c - LABELING:  
- MEETS PACKAGING SPECS AS PER GS-14-920
  - d - LEGAL STATEMENT: SEE GS-22-008



|             |          |          |          |                                       |           |            |              |                |  |
|-------------|----------|----------|----------|---------------------------------------|-----------|------------|--------------|----------------|--|
| mat'l. code |          | surface  |          | tolerance                             |           | projection |              | product family |  |
| SEE NOTES   |          | ISO 1392 |          | ISO 486 ISO 111                       |           | mm         |              | DUBOX          |  |
| Ltr         | ecm no   | dr       | date     | tolerances unless otherwise specified |           | mm         |              | title          |  |
| G           | F10030   | PVA      | 31.02.26 | angles                                | linear    | mm         |              | BtB RECEPT.    |  |
| H           | F60711   | PNZ      | 96.10.11 | ±2'                                   |           | scale 5:1  |              | VERT SR TMT    |  |
| J           | F80115   | PNZ      | 98.01.22 |                                       |           | FCJ        |              | dwg no         |  |
| K           | F10110   | IGCO     | 01.01.16 | dr                                    | D LEGRAND | 04.09.27   | sheet 1 of 2 |                |  |
| L           | F03-0284 | DLE      | 03.10.07 | engr                                  | P NIZZI   | 04.09.27   | size         |                |  |
| M           | F04-0347 | DLE      | 04.09.27 | chr                                   | D LEGRAND | 04.09.27   | A3           |                |  |
| N           | F06-0204 | DLE      | 06.06.20 | appd                                  | P NZ      | 04.09.27   | type         |                |  |
| sheet       | revision | N        | B        |                                       |           |            | CUSTOMER     |                |  |
| index       | sheet    | 1        | 2        |                                       |           |            | Drawing      |                |  |

A  
B  
C



A  
B  
C



Copyright FCJ

|                            |                |     |          |                                       |           |                               |  |                |  |                                     |  |                  |      |
|----------------------------|----------------|-----|----------|---------------------------------------|-----------|-------------------------------|--|----------------|--|-------------------------------------|--|------------------|------|
| mat'l. code<br>SEE SHEET 1 |                |     |          | surface<br>ISO 1302 ✓                 |           | tolerance<br>ISO 406 ISO 1101 |  | projection<br> |  | product family<br>DUBOX             |  |                  |      |
| ltr                        | ecn no         | dr  | date     | tolerances unless otherwise specified |           | ±0.3                          |  | mm             |  | title<br>BtB RECEPT.<br>VERT SR TMT |  |                  |      |
| A                          | F04-0347       | DLE | 04.09.27 | angles                                | linear    |                               |  | scale 5:1      |  | dwg no                              |  | sheet 2 of 2     | size |
| B                          | F06-0204       | DLE | 06.06.20 |                                       |           | ±2°                           |  |                |  | 76341                               |  | A4               |      |
|                            |                |     |          | dr                                    | D LEGRAND | 04.09.27                      |  |                |  | type                                |  | CUSTOMER Drawing |      |
|                            |                |     |          | engr                                  | P NIZZI   | 04.09.27                      |  |                |  |                                     |  |                  |      |
|                            |                |     |          | chr                                   | D LE      | 04.09.27                      |  |                |  |                                     |  |                  |      |
|                            |                |     |          | appd                                  | P NZ      | 04.09.27                      |  |                |  |                                     |  |                  |      |
| sheet index                | revision sheet |     |          |                                       |           |                               |  |                |  |                                     |  |                  |      |