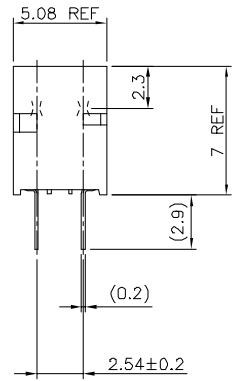
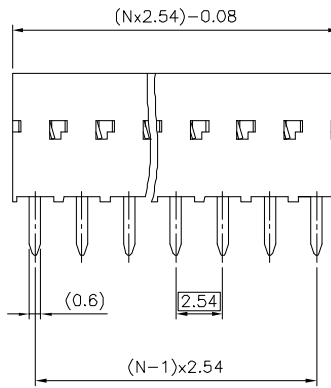
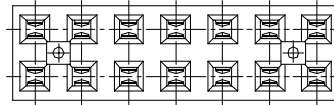


PRODUCT NUMBER
76342-YXXXXLF

WHEN NEEDED, SUFFIX LETTER "LF"
INDICATES THE PRODUCT IS RoHS
COMPATIBLE, SEE NOTE 10
OPTIONAL LETTER
H: HIGH TEMPERATURE PRODUCT.
C: PACKAGED IN SHORT TUBE.
NUMBER OF POSITIONS PER ROW: 02 TO 50.
PLATING CODE
3= 0.76µm GOLD ON CONTACT AREA.
3.81µm TIN-LEAD ON TAIL.
4= 5µm TIN-LEAD ON CONTACT AREA.
3.81µm TIN-LEAD ON TAIL.
WHEN SUFFIX "LF" IS REQUIRED, 2µm MIN MATTE
TIN OVER 1.27 MIN Ni IS SUPPLIED INSTEAD OF SnPb.



NOTES:

- 1 - HOUSING MAT'L: THERMOPLASTIC GLASS FILLED
FLAME RETARDANT PER UL 94 V-0
LOW TEMPERATURE: COLOR BLUE
HIGH TEMPERATURE: COLOR GREY.
- 2 - TERMINAL MATERIAL: PHOSPHOR BRONZE.
- 3 - 2 UP TO 4 POSITIONS PRODUCT PACKED IN PLASTIC BOX.
5 UP TO 50 POSITIONS PRODUCT PACKED IN TUBE.
- 4 - TO DETERMINE DIMENSIONS:
N = NUMBER OF POSITIONS PER ROW
EXAMPLE: 8 POS: (Nx2.54)-0.08=20.24 mm
- 5 - RoHS COMPATIBLE PRODUCT SPECIFICATIONS

a - PLATING:

- "LF" MEANS THE PRODUCT IS LEAD-FREE,
2µm MINIMUM MATTE TIN OVER 1.27µm
MINIMUM NICKEL UNDERPLATE.

b - MANUFACTURING PROCESS COMPATIBILITY

- THE HOUSING WILL WITHSTAND EXPOSURE TO
260°C ±5°C SOLDER BATH TEMPERATURE FOR
5 SECONDS IN A WAVE SOLDER APPLICATION
WITH A 1.6mm MIN THICK CIRCUIT BOARD.

c - LABELING:

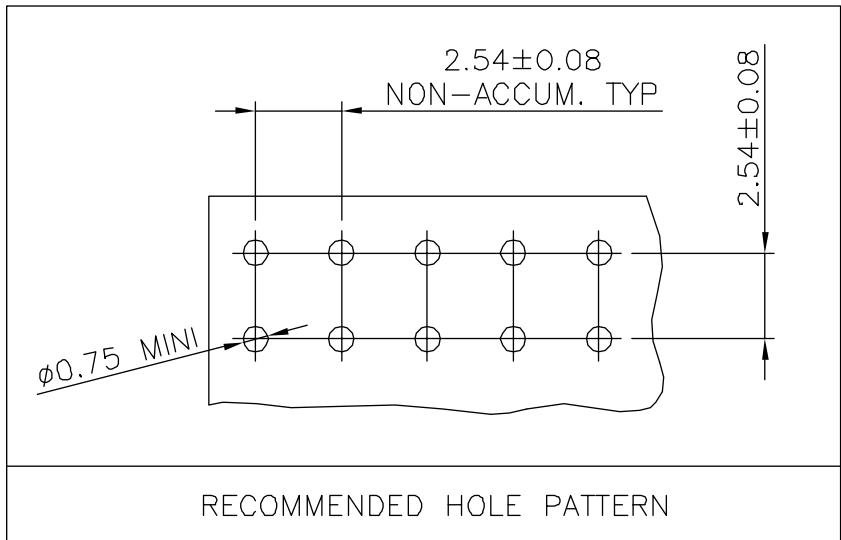
- MEETS PACKAGING SPECS AS PER GS-14-920

d - LEGAL STATEMENT: SEE GS-22-008

mat'l. code	surface	tolerance	projection	product family
SEE NOTES 1 & 2	ISO 1392	ISO 486 ISO 1101	mm	DUBOX
Ltr	ecm no	dr	date	tolerances unless otherwise specified
S	F10342	DLE	01.06.12	angles
T	F04-0347	DLE	04.09.27	linear
U	F06-0137	DLE	06.02.27	±2'
V	F06-0204	DLE	06.06.20	dr
P	F90376	DLE	99.06.21	enr
R	F10110	CCD	01.01.16	chr
sheet index	revision	V	B	appd
	sheet	1	2	P NZ

title	dwg no	sheet 1 of 2	size
BtB RECEP. VERT DR TMT	76342		A3
type	CUSTOMER	Drawing	

A _____ B _____ C _____ D _____



Copyright FCI

mat'l. code SEE SHEET 1			surface ISO 1302 ✓		tolerance ISO 406 ISO 1101		projection 		product family DUBOX				
ltr	ecn no	dr	date	tolerances unless otherwise specified		mm scale 5:1			title BtB RECEPT. VERT DR TMT				
A	F04-0347	DLE	04.09.27	angles ±2°	linear								
B	F06-0204	DLE	06.06.20						dwg no		sheet 2 of 2	size	
				dr	D LEGRAND				04.09.27	76342		A4	
				engr	P NIZZI				04.09.27	type		CUSTOMER	Drawing
				chr	D LE				04.09.27				
				appd	P NZ	04.09.27							
sheet index		revision sheet											