



NC3MP



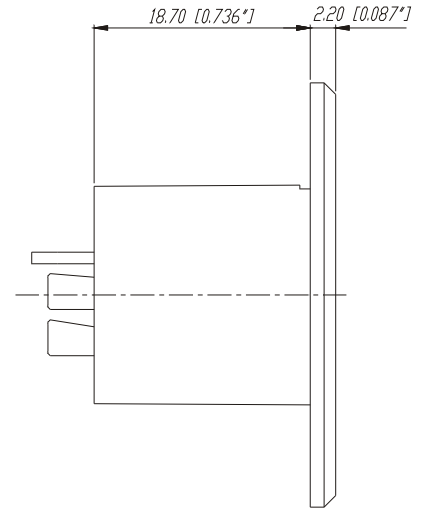
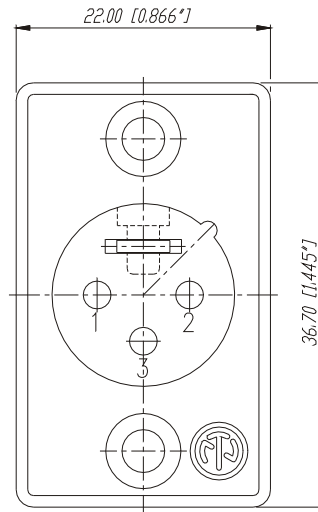
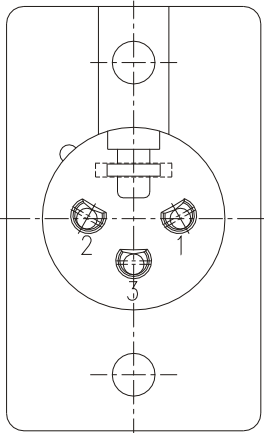
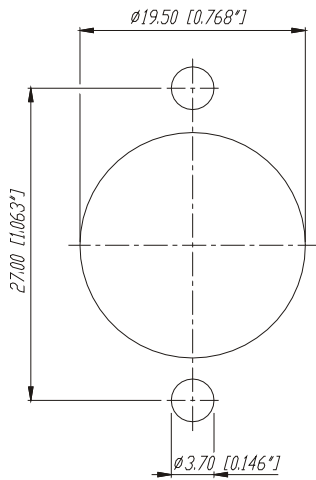
Smallest available traditional style metal panel mount connector with large solder cups for ease hard wiring.

3 pole male receptacle, solder contacts, Nickel housing, silver contacts

Features & Benefits

- Smallest available hard wiring receptacles with large solder cups
- Compatible with switchcraft D*M, D*F; Cannon XLB2*31, XLB2*32

Frontplattenausschnitt (Rückseite)
Panel cut out (rear side)

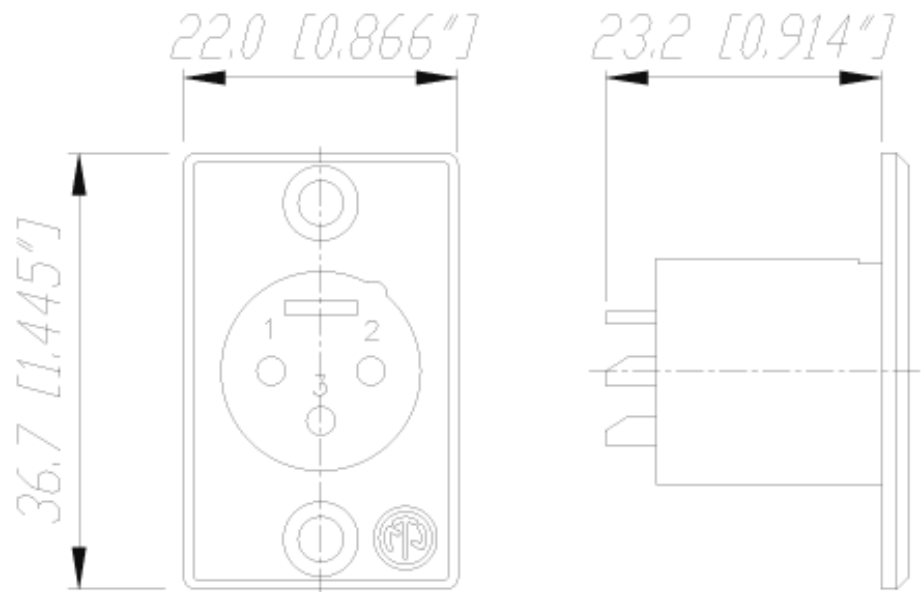


				*Lieferant darf ohne Rücksprache nicht geändert werden	Werkstoff:	Masstab: 3:1	Gezeichnet 26.04.88	Datum 26.04.88	Name Mandinek
				Zeichnung urheberrechtlich geschützt (DIN 34) (C)			Gepüeft		
				Benennung:			Gesehen		
								Ersetzt durch:	Blatt
								Ersetzt fuer:	von Blatt
A	Aktuelle Zeichnung	24.03.98	Alinjak			NC3MP			
Ind.	Aenderung	Datum	Name	NEUTRIK AG FL-9494 SCHAAN				Zeichn. Nr. 3102 St 11 03	



P Series

NC3MP



There are no technical infos for this product.

Product	
Connector Type	XLR
Gender	male
Electrical	
Capacitance between contacts	≤ 4 pF
Contact resistance	≤ 5 m Ω
Dielectric strength	1,5 kVdc
Insulation resistance	> 2 G Ω (initial)
Insulation resistance	> 1 G Ω (after damp heat test)
Rated current per contact	16 A
Rated voltage	50 V
Mechanical	
Insertion force	≤ 20 N
Withdrawal force	≤ 20 N

Lifetime	> 1000 mating cycles
Wiring	Solder contacts
Locking device	latch lock
Mounting direction	front
Chassis shape	P

Material

Contact plating	2 µm Ag over 2 µm Ni
Contacts	Brass (CuZn35Pb2)
Insert	Polyamide (PA 6.6 30 % GR)
Locking element	Steel Ck67
Shell	Zinc diecast (ZnAl4Cu1)

Environmental

Flammability	UL 94 HB
Standard compliance	IEC 61076-2-103
Solderability	Complies with IEC 68-2-20
Temperature range	-30 °C to +80 °C

Optical

Mobile Cables