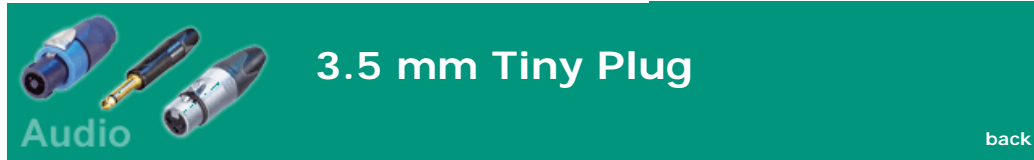




Audio

**NEUTRIK**



[back](#)

[Print](#)

## NTP3RC-B



3 pole 3.5 mm audio plug, solder termination, chuck type strain relief, bushing, black housing, gold contacts

The only right-angled metal bodied 3.5 mm jack plug with chuck type strain relief for secure cable retention. It accepts cables from 2.0 to 4.5 mm.

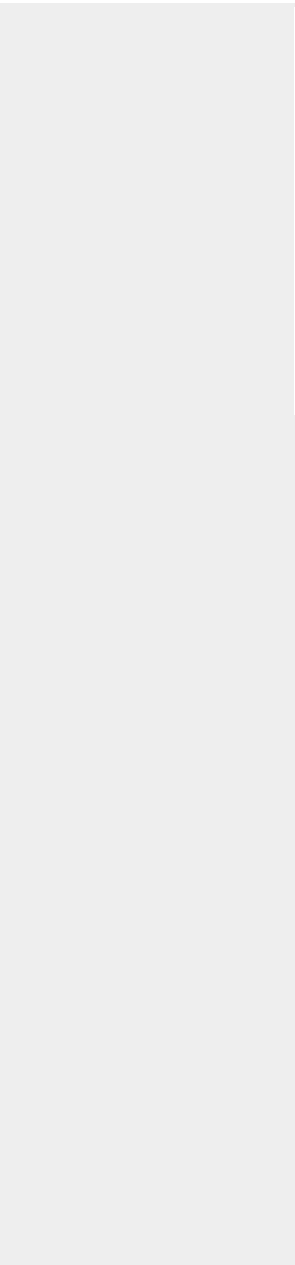
### Features & Benefits

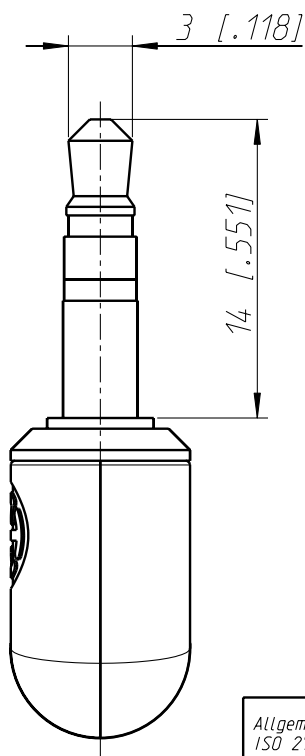
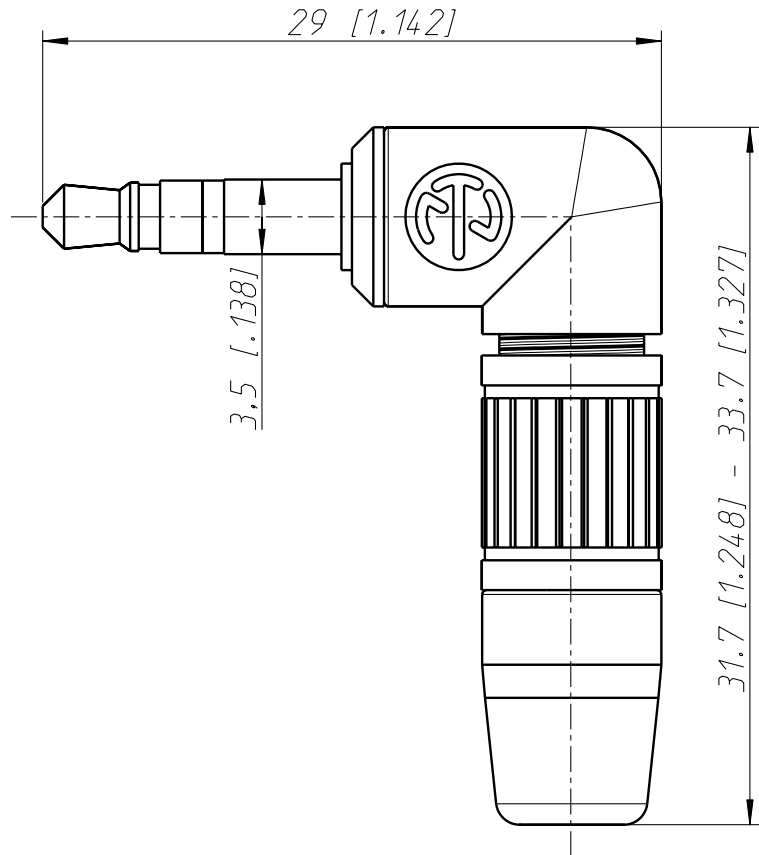
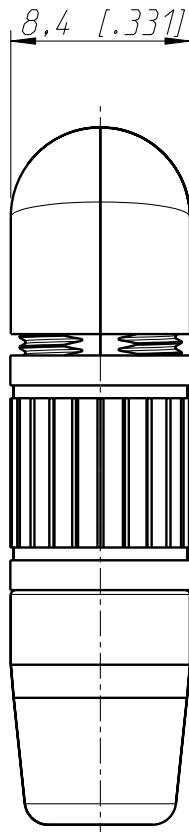
- All metal housing - robust and reliable
- Chuck type cable clamp and rubber gland - excellent cable protection
- Slim design - space saving

Search

Products only

© Neutrik® AG  
All rights reserved  
[Legal Notices](#)





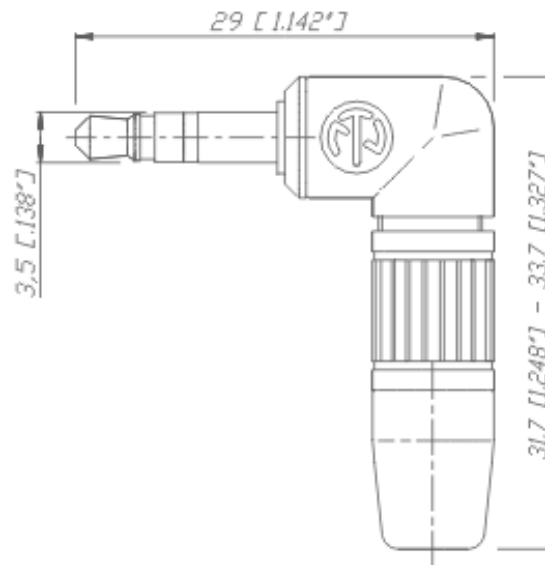
Allgemeintoleranzen ISO 2768-m	Werkstoff	Massstab:	Datum	Name
Zeichnung urheberrechtlich geschuetzt (DIN 34) (C)	-	3:1 (A4)	30.01.03	Mijatovic
Benennung	NTP3RC NTP3RC		Gezeichnet	-
			Freigegeben	-
			Geaendert	-
			Aend.-Nr.	Aend.-Index
			-	-
			Ersatz fuer:	Blatt 1 von 1 Bl.
			Zeichn. Nr.	ST-NTP3RC
NEUTRIK AG FL-9494 SCHAAN				



## 3.5 mm Tiny Plug



### NTP3RC-B



There are no technical infos for this product.

#### Product

Connector Type	Plug
Gender	male

#### Electrical

Contact resistance	depends on mating connector m $\Omega$
Dielectric strength	1 kVdc
Insulation resistance	> 2 G $\Omega$ (initial)
Insulation resistance	$\geq$ 1 G $\Omega$ (after damp heat test)
Rated current per contact	$\leq$ 15 A

#### Mechanical

Cable O.D.	2 - 4.5 mm
Wire size	0,22 mm <sup>2</sup>
Wire size	24 AWG
Wiring	Solder contacts

#### Material

Bushing	CuZn39Pb3 + PU, black Cr
Contact plating	0.2 $\mu$ m Au

Contacts	Brass (CuZn39Pb3)
Insert	Polyamide (PA 6.6 15 % GR)
Shell	Zinc diecast (ZnAl4Cu1)
Shell plating	Black chromium
Strain relief	Polyacetal (POM)
<b>Environmental</b>	
Solderability	Complies with IEC 68-2-20
Temperature range	-20 °C to +65 °C
<b>Optical</b>	
<b>Mobile Cables</b>	