



Audio

**NEUTRIK**



[back](#)

[Print](#)

## NL8MPR



8 pole chassis connector, nickel metal square G-size flange, countersunk thru holes, 3/16" flat tabs

The state-of-the-art chassis connector for loudspeaker / amplifier applications. They feature a unique locking system, robust plastic housing and high current silver plated contacts.

### Features & Benefits

- Standard current rating 30 Amp
- High current version up to 40 Amp audio current
- Glass reinforced materials make it extremely robust and dependable
- Precise keyway for secure mating
- Accurate twist lock latching system
- Metal flange
- Airtight design - optimized for speaker applications

### ACCESSORIES

NLFASTON



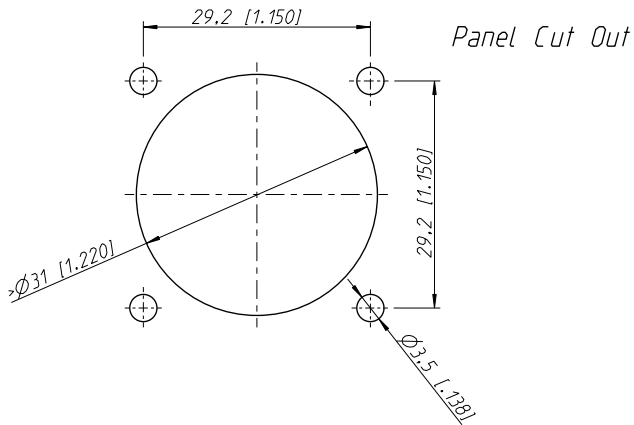
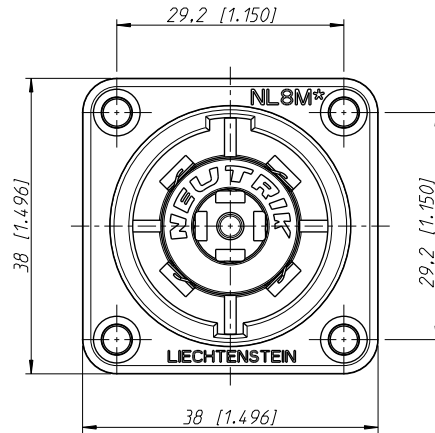
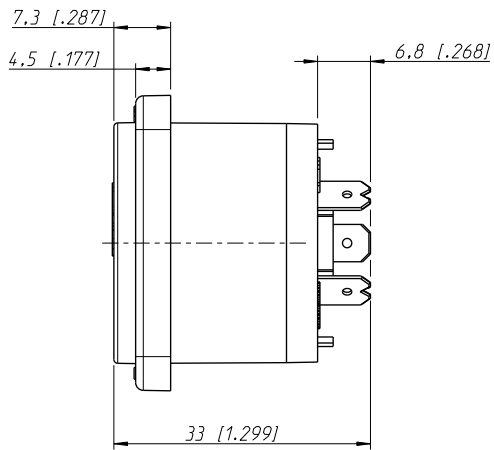
Deutsche Version

[Home](#)  
[About Us](#)  
[Products](#)  
[Support](#)  
[News](#)  
[Sitemap](#)

[Search](#)

[Products only](#)

© Neutrik® AG  
All rights reserved  
[Legal Notices](#)



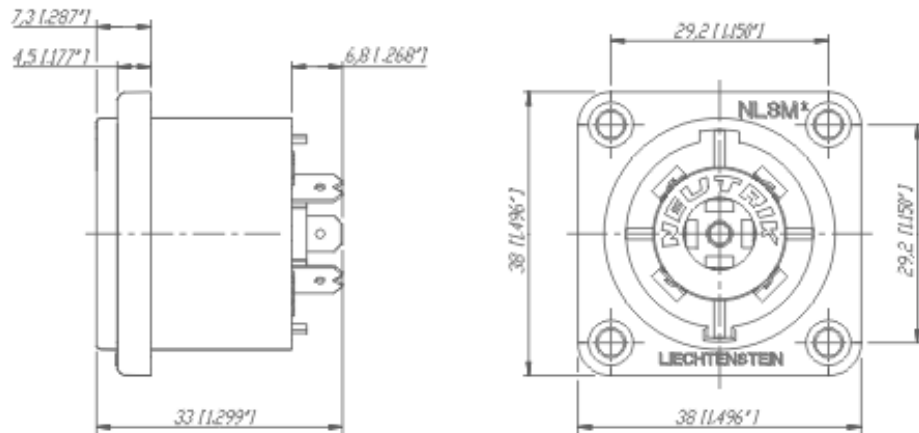
Allgemeintoleranzen ISO 2768-m	Werkstoff	Massstab: 2:1 (A3)	Datum	Name
	KEIN_MAT		Gezeichnet	07.10.03
Zeichnung urheberrechtlich geschützt! (DIN 34) (C)	-	-	Freigegeben	-
Benennung	NL8MPR NL8MPR	-	Geändert	-
		-	Aend.-Nr.	Aend.-Index
		-	Ersatz fuer:	Blatt 1 von 1 Bl.
	NEUTRIK AG FL-9494 SCHAAN		Zeichn. Nr.	ST-NL8MPR



# Chassis Connectors

Audio

## NL8MPR



There are no technical infos for this product.

### Product

Connector Type	Speakon
Gender	male

### Electrical

Contact resistance	$\leq 3 \text{ m}\Omega$ (after lifetime)
Dielectric strength	4 kVdc (peak)
Insulation resistance	$> 1 \text{ G}\Omega$ (after dampheat)
Rated current per contact	30 A rms continuous
Rated current per contact	40 A audiosignal, duty cycle 50 %
Rated voltage	250 V (Insulation)

### Mechanical

Lifetime	$> 5000$ mating cycles
Wiring	3/16" flat tabs
Locking device	Quick Lock
Mounting direction	front & rear
Chassis shape	square G-size flange
Layout	four thru holes

### Material

Contact plating	4 $\mu\text{m}$ Ag
-----------------	--------------------

Contacts	Bronze (CuSn6)
Shell	Polyamide (PA 6 30 % GR) Ni
<b>Environmental</b>	
Approvals	UL,CSA
Flammability	UL 94 HB
Solderability	Complies with IEC 68-2-20
Temperature range	-30 °C to +80 °C
<b>Optical</b>	
<b>Mobile Cables</b>	