



NC3FD-L-B-1



Universal D-size metal body XLR panel mount series. UL recognized component.

3 pole female receptacle, solder cups, black metal housing, gold contacts

Features & Benefits

- Robust "D" metal shell
- Standardized D sized 24 mm panel cutout
- Solder cups on 3 - 7 pole version

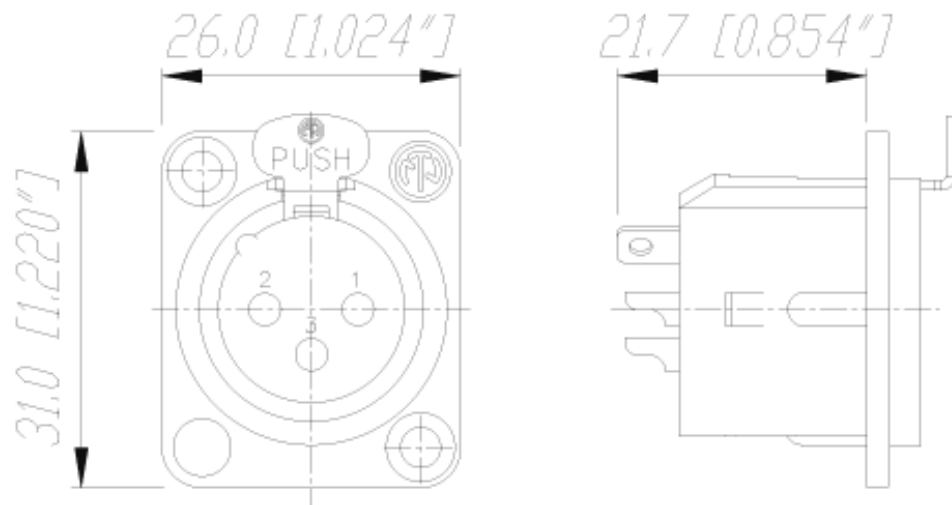
ACCESSORIES

SCDR	SCDX	DSS-*	MFD



DL Series

NC3FD-L-B-1



There are no technical infos for this product.

Product	
Connector Type	XLR
Gender	female
Electrical	
Capacitance between contacts	≤ 4 pF
Contact resistance	≤ 5 mΩ
Dielectric strength	1,5 kVdc
Insulation resistance	> 2 GΩ (initial)
Insulation resistance	> 1 GΩ (after damp heat test)
Rated current per contact	16 A
Rated voltage	50 V
Mechanical	
Insertion force	≤ 20 N
Withdrawal force	≤ 20 N
Lifetime	> 1000 mating cycles
Wire size	max. 2.5 mm ²
Wire size	max. 14 AWG
Wiring	Solder contacts

Locking device	latch lock
Mounting direction	front & rear
Chassis shape	D
Material	
Contact plating	0.2 µm Au hard alloy over 2 µm Ni
Contacts	Bronze (CuSn8)
Insert	Polyamide (PA 6.6 30 % GR)
Locking element	Steel Ck67
Shell	Zinc diecast (ZnAl4Cu1)
Shell plating	Black chromium
Environmental	
Approvals	UL
Flammability	UL 94 HB
Standard compliance	IEC 61076-2-103
Solderability	Complies with IEC 68-2-20
Temperature range	-30 °C to +80 °C
Optical	
Mobile Cables	