



NC3MP-B

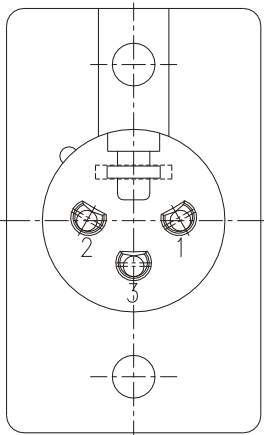
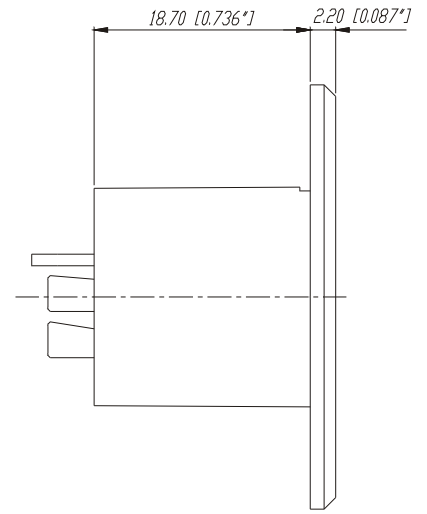
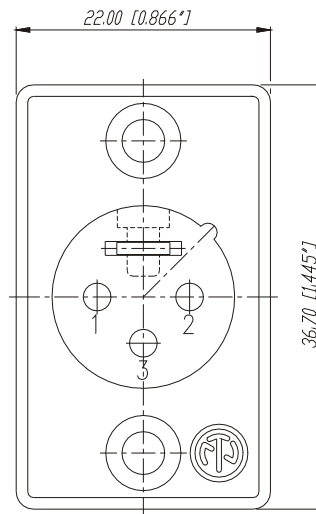
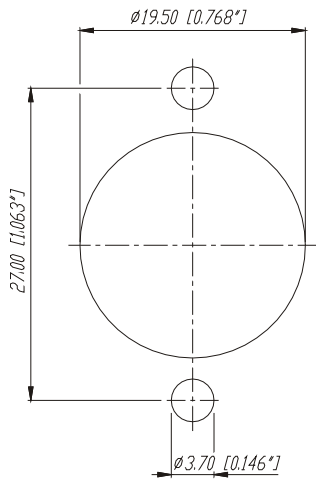
Smallest available traditional style metal panel mount connector with large solder cups for ease hard wiring.

3 pole male receptacle, solder contacts, black metal housing, gold contacts

Features & Benefits

- Smallest available hard wiring receptacles with large solder cups
- Compatible with switchcraft D*M, D*F; Cannon XLB2*31, XLB2*32

Frontplattenausschnitt (Rückseite)
Panel cut out (rear side)



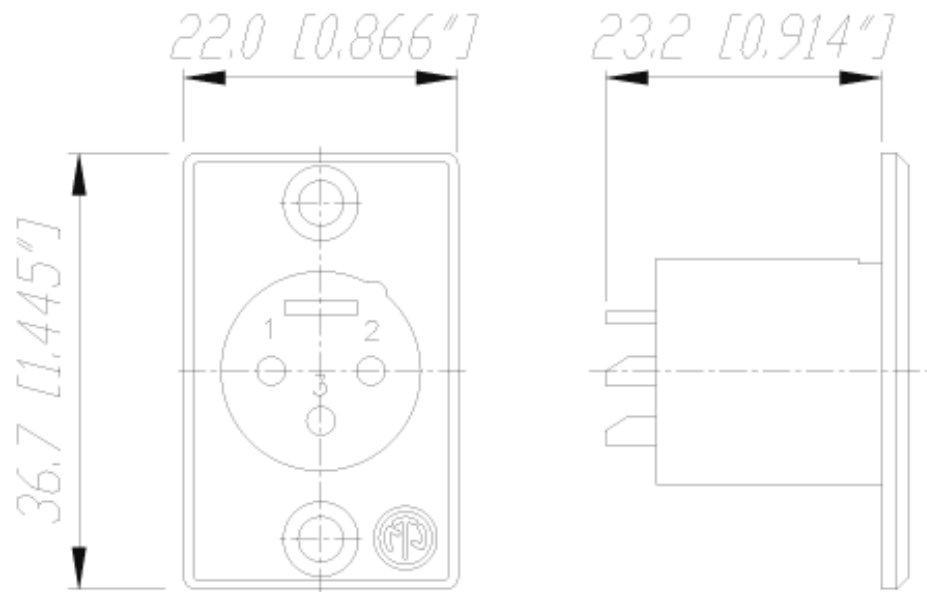
| | | | | | | | | | | |
|------|--------------------|----------|----------|----------------------------------|--|--|-------------|--|------|----------|
| | | | | | | | | | | |
| | | | | | | | | | | |
| | | | | | | | | | | |
| | | | | | | | | | | |
| | | | | | | | | | | |
| | | | | | | | | | | |
| | | | | | | | | | | |
| | | | | | | | | | | |
| | | | | | | | | | | |
| | | | | | | | | | | |
| | | | | | | | | | | |
| A | Aktuelle Zeichnung | 24.03.98 | Alin,jok | | | | | | | |
| Ind. | Aenderung | Datum | Name | NEUTRIK AG FL-9494 SCHAAN | | | Zeichn. Nr. | | 3102 | St 11 03 |



Audio

P Series

NC3MP-B



There are no technical infos for this product.

Product

| | |
|----------------|------|
| Connector Type | XLR |
| Gender | male |

Electrical

| | |
|------------------------------|---|
| Capacitance between contacts | ≤ 4 pF |
| Contact resistance | ≤ 5 m Ω |
| Dielectric strength | 1,5 kVdc |
| Insulation resistance | > 2 G Ω (initial) |
| Insulation resistance | > 1 G Ω (after damp heat test) |
| Rated current per contact | 16 A |
| Rated voltage | 50 V |

Mechanical

| | |
|------------------|-------------|
| Insertion force | ≤ 20 N |
| Withdrawal force | ≤ 20 N |

| | |
|--------------------|----------------------|
| Lifetime | > 1000 mating cycles |
| Wiring | Solder contacts |
| Locking device | latch lock |
| Mounting direction | front |
| Chassis shape | P |

Material

| | |
|-----------------|-----------------------------------|
| Contact plating | 0.2 µm Au hard alloy over 2 µm Ni |
| Contacts | Brass (CuZn35Pb2) |
| Insert | Polyamide (PA 6.6 30 % GR) |
| Locking element | Steel Ck67 |
| Shell | Zinc diecast (ZnAl4Cu1) |

Environmental

| | |
|---------------------|---------------------------|
| Flammability | UL 94 HB |
| Standard compliance | IEC 61076-2-103 |
| Solderability | Complies with IEC 68-2-20 |
| Temperature range | -30 °C to +80 °C |

Optical

Mobile Cables