



Audio

NEUTRIK



[back](#)

[Print](#)

NTP3RC



3 pole 3.5 mm audio plug, solder termination, chuck type strain relief, bushing, nickel housing, nickel contacts

The only right-angled metal bodied 3.5 mm jack plug with chuck type strain relief for secure cable retention. It accepts cables from 2.0 to 4.5 mm.

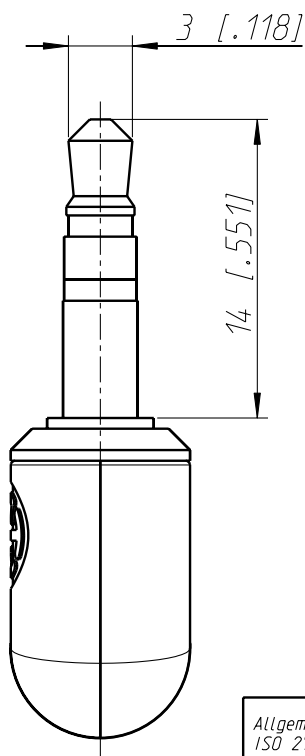
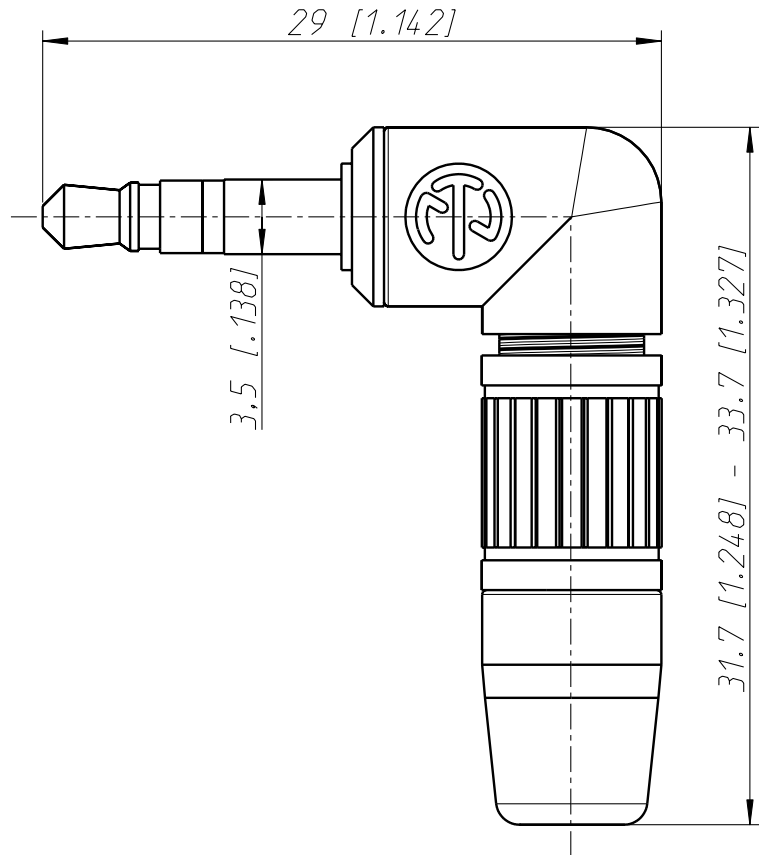
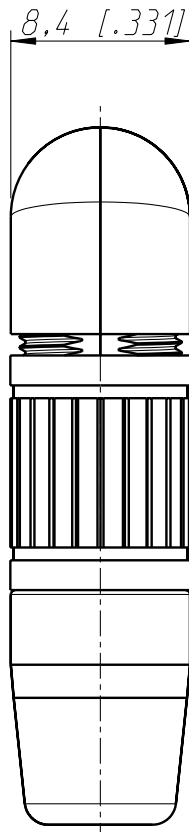
Features & Benefits

- All metal housing - robust and reliable
- Chuck type cable clamp and rubber gland - excellent cable protection
- Slim design - space saving

Search

Products only

© Neutrik® AG
All rights reserved
[Legal Notices](#)



Allgemeintoleranzen ISO 2768-m	Werkstoff -	Massstab: 3:1 (A4)	Datum	Name
			Gezeichnet	Mijatovic
Zeichnung urheberrechtlich geschuetzt (DIN 34) (C)	-	-	Freigegeben	-
	-	-	Geaendert	-
Benennung NTP3RC NTP3RC			Aend.-Nr. -	Aend.-Index -
NEUTRIK AG FL-9494 SCHAAN			Ersatz fuer: Zeichn. Nr.	Blatt 1 von 1 Bl.
			ST-NTP3RC	

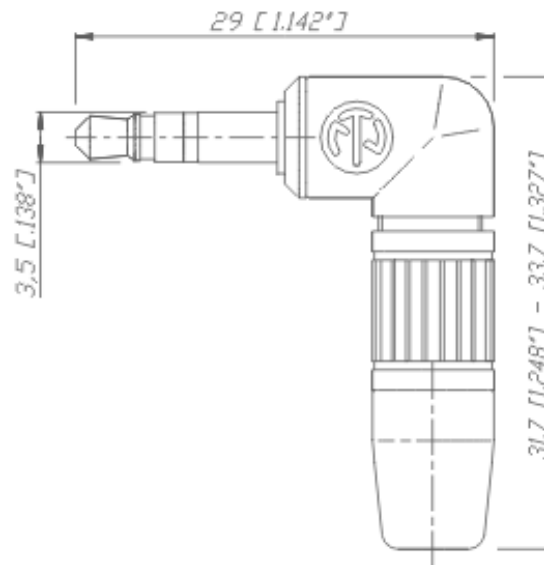


3.5 mm Tiny Plug



Audio

NTP3RC



There are no technical infos for this product.

Product	
Connector Type	Plug
Gender	male
Electrical	
Contact resistance	depends on mating connector mΩ
Dielectric strength	1 kVdc
Insulation resistance	> 2 GΩ (initial)
Insulation resistance	≥ 1 GΩ (after damp heat test)
Rated current per contact	≤ 15 A
Mechanical	
Cable O.D.	2 - 4.5 mm
Wire size	0,22 mm ²
Wire size	24 AWG
Wiring	Solder contacts
Material	
Bushing	CuZn39Pb3 + PU, Ni
Contact plating	2 μm Ni (Su)

Contacts	Brass (CuZn39Pb3)
Insert	Polyamide (PA 6.6 15 % GR)
Shell	Zinc diecast (ZnAl4Cu1)
Shell plating	Nickel
Strain relief	Polyacetal (POM)
Environmental	
Solderability	Complies with IEC 68-2-20
Temperature range	-20 °C to +65 °C
Optical	
Mobile Cables	