



P Series

Audio



NC5FP-B-1

Smallest available traditional style metal panel mount connector with large solder cups for ease hard wiring.

5 pole female receptacle, solder contacts, black metal housing, gold contacts

Features & Benefits

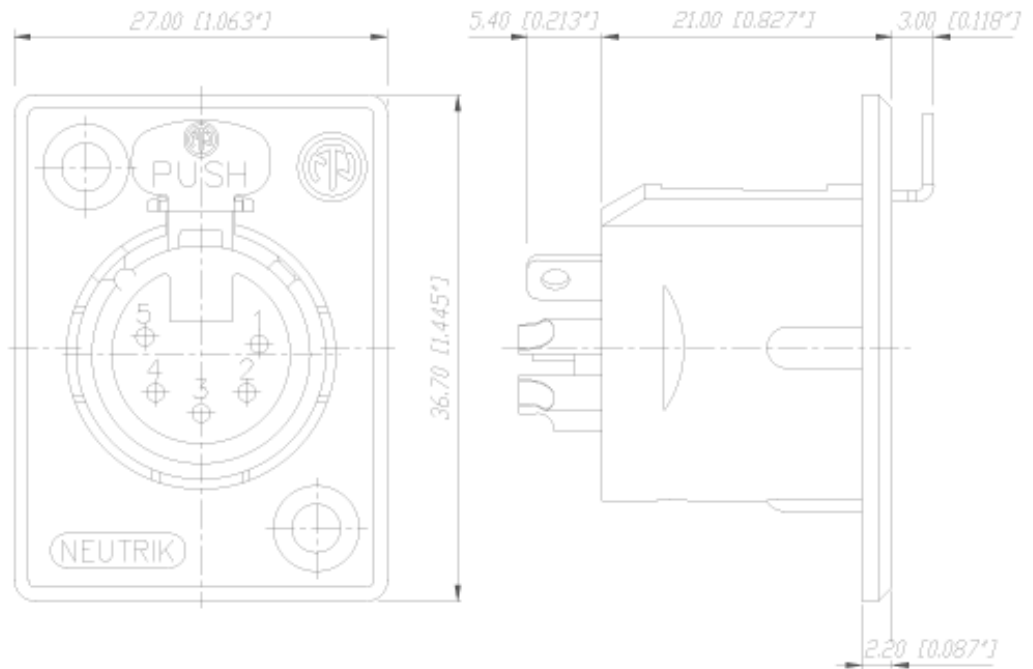
- Smallest available hard wiring receptacles with large solder cups
- Short female receptacle
- Compatible with switchcraft D*M, D*F; Cannon XLB2*31, XLB2*32



Audio

P Series

NC5FP-B-1



There are no technical infos for this product.

Product	
Connector Type	XLR
Gender	female
Electrical	
Capacitance between contacts	≤ 7 pF
Contact resistance	≤ 5 m Ω
Dielectric strength	1,5 kVdc
Insulation resistance	> 2 G Ω (initial)
Insulation resistance	> 1 G Ω (after damp heat test)
Rated current per contact	7,5 A
Rated voltage	50 V
Mechanical	
Insertion force	≤ 20 N

Withdrawal force	≤ 20 N
Lifetime	> 1000 mating cycles
Wire size	max. 1.0 mm ²
Wire size	max. 18 AWG
Wiring	Solder contacts
Locking device	latch lock
Mounting direction	front
Chassis shape	P

Material

Contact plating	0.2 μm Au hard alloy over 2 μm Ni
Contacts	Brass (CuZn39Pb3)
Insert	Polyamide (PA 6.6 30 % GR)
Locking element	Steel Ck67
Shell	Zinc diecast (ZnAl4Cu1)
Shell plating	Black chromium

Environmental

Flammability	UL 94 HB
Standard compliance	IEC 61076-2-103
Solderability	Complies with IEC 68-2-20
Temperature range	-30 °C to +80 °C

Optical

Mobile Cables