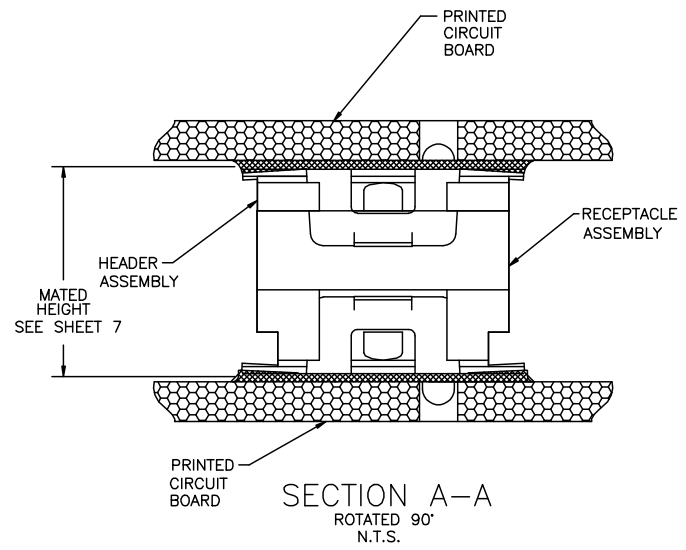
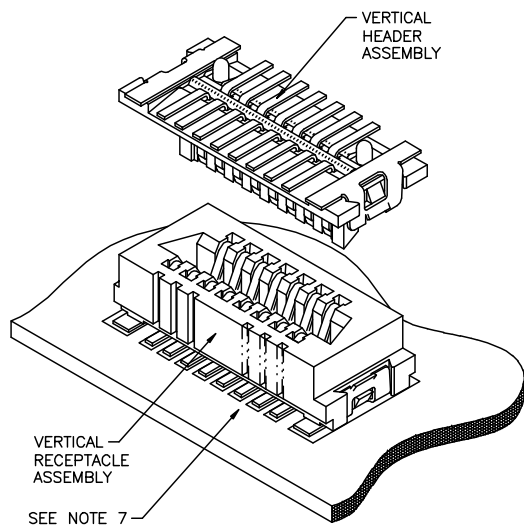
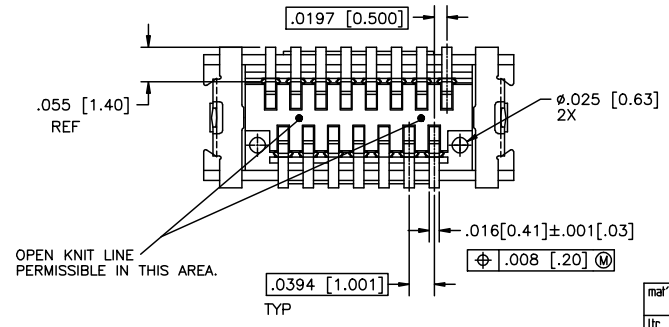
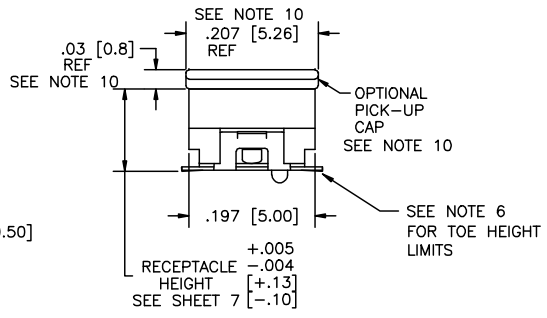
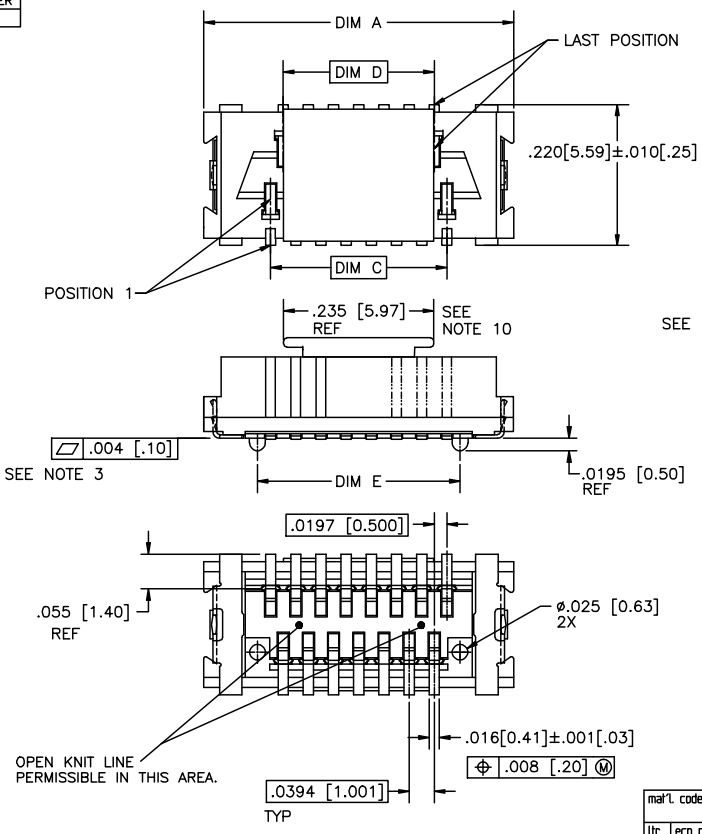


PRODUCT NUMBER
SEE TABLE



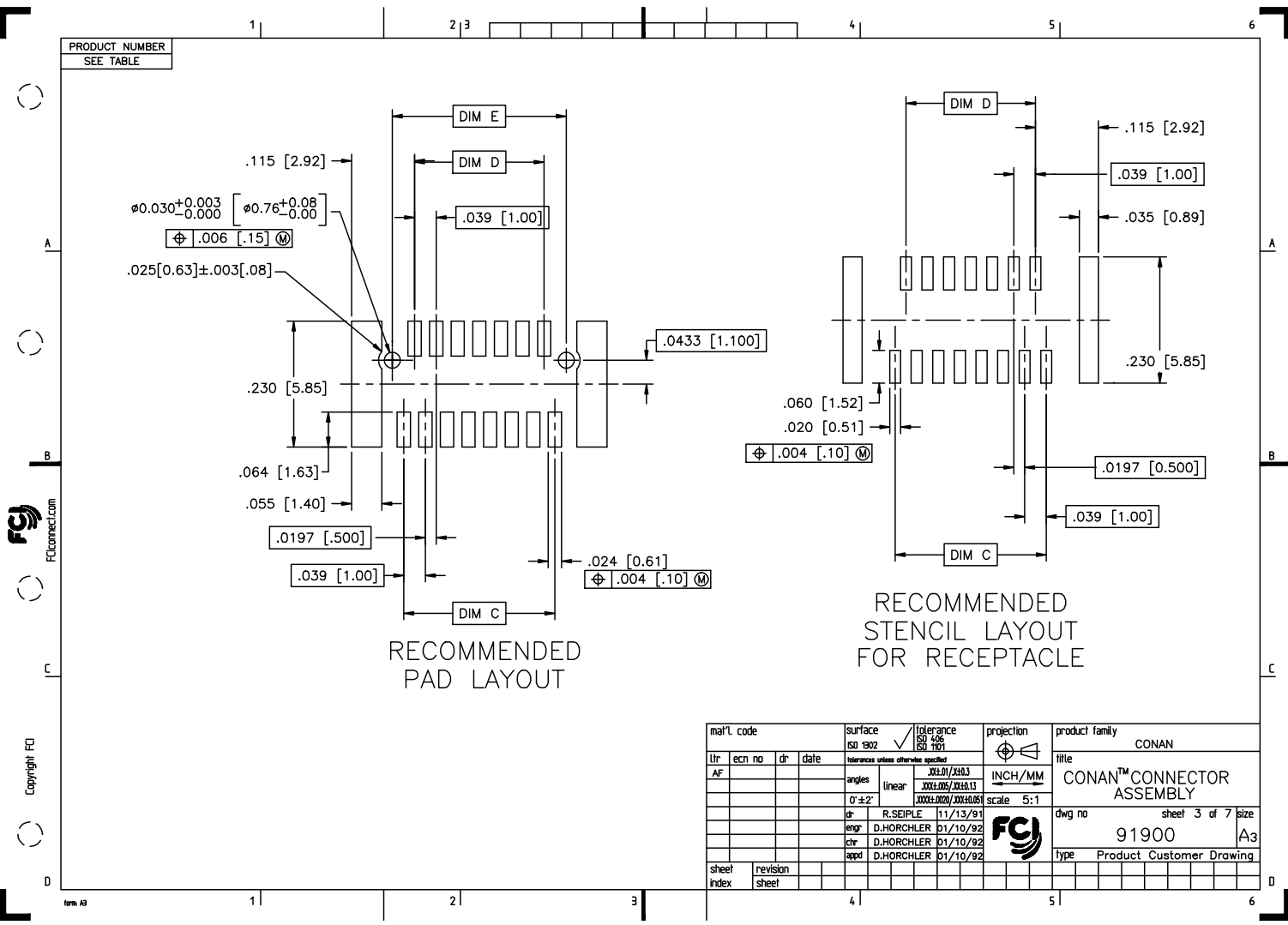
mal'l. code		surface	tolerance	projection	product family
		ISO 1902	ISO 1436 ISO 1101		CONAN
itr		tolerances unless otherwise specified		title	
ecn no	dr	date	angles	linear	INCH/MM
Y V03-1347	AA	12/20/01	XXL01/XXL03		CONAN™ CONNECTOR ASSEMBLY
AA M04-0190	MHT	9/24/04	XXXL005/XXXL013	scale 5:1	dwg no
AB M05-0110	MHT	5/26/05	0'±2'		sheet 1 of 7
AC M06-0232	AGS	06/12/08			size
AD M06-0373	MHT	9/26/06	dr R.SEIPLE	11/13/91	A3
AE M08-0012	AGS	1/11/08	chr D.HORCHLER	01/10/92	91900
AF M08-0287	MHT	10/02/08	appd D.HORCHLER	01/10/92	type
sheet	revision	AF	AF	AF	AF
index	sheet	1	2	3	4

PRODUCT NUMBER
SEE TABLE



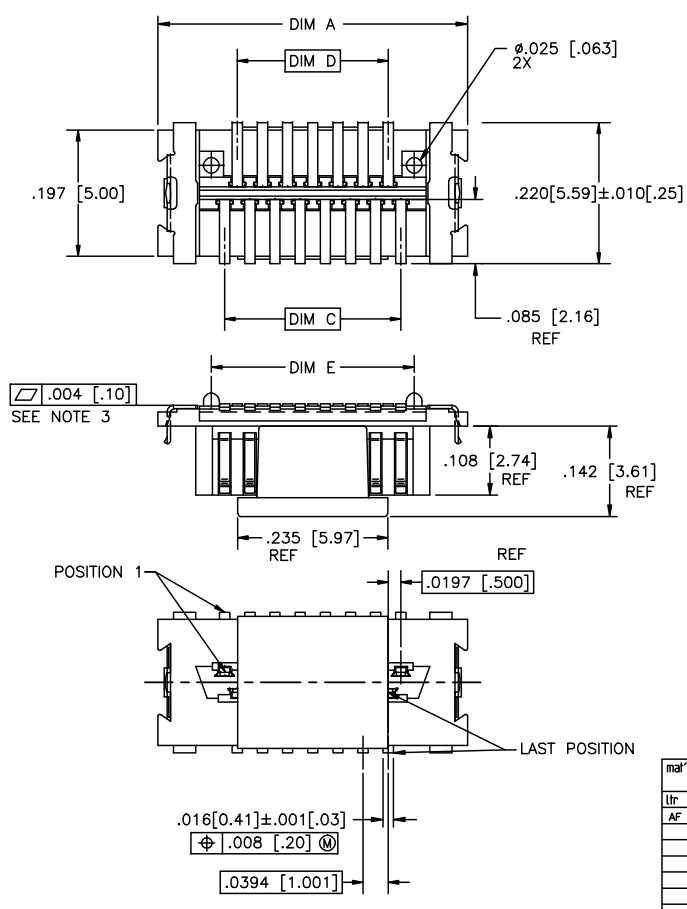
mal't. code		surface	tolerance	projection	product family
		ISO 1902	ISO 406 ISO 1001	1st angle	CONAN
itr		tolerances unless otherwise specified			title
ecn no	dr	date	angles	linear	CONAN™ CONNECTOR ASSEMBLY
AF			0°±2'	XX±.01/XX±.03 XXX±.005/XXX±.013 XXXX±.000/XXXX±.051	dwg no
				INCH/MM	91900
				scale 5:1	sheet 2 of 7
					size A3
					type Product Customer Drawing
sheet index	revision sheet				

dwg no	91900	size	A3
type	Product Customer Drawing		



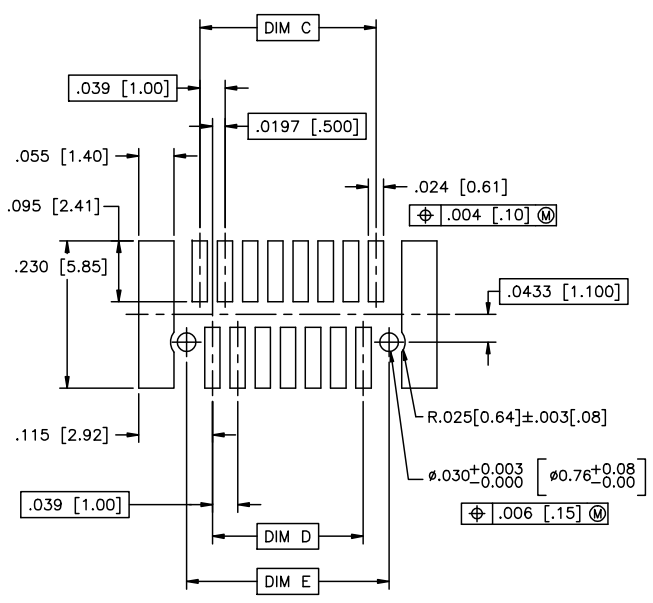
mal't. code		surface	tolerance	projection	product family
ISO 1902		ISO 1902	ISO 1436 ISO 1001	ISO 1001	CONAN
itr	ecm no	dr	date	title	
AF				CONAN™ CONNECTOR ASSEMBLY	
angles		linear	linear	INCH/MM	scale
0°±2'		linear	linear	INCH/MM	5:1
dr	R.SEIPLE	11/13/91		dwg no	
eng	D.HORCHLER	01/10/92		sheet 3 of 7	
chr	D.HORCHLER	01/10/92		size	
app	D.HORCHLER	01/10/92		A3	
sheet	revision			type	
index	sheet			Product Customer Drawing	

PRODUCT NUMBER
SEE TABLE

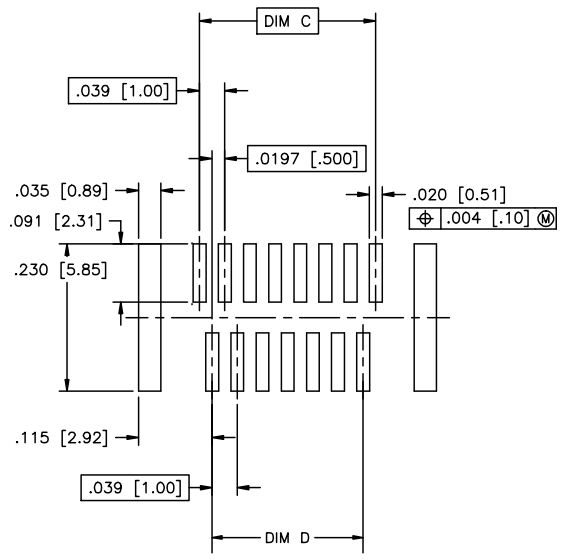


mal'l. code		surface		tolerance		projection		product family	
ISO 1902		ISO 1436		ISO 1101		INCH/MM		CONAN	
itr		ecn no		date		angles		title	
AF						linear		CONAN™ CONNECTOR ASSEMBLY	
						0° ± 2°		dwg no	
						linear		sheet 4 of 7	
						linear		size	
						linear		A3	
						linear		type	
						linear		Product Customer Drawing	
sheet		revision		date		scale		type	
index		sheet				5:1			

PRODUCT NUMBER
SEE TABLE



RECOMMENDED
PAD LAYOUT



RECOMMENDED
STENCIL LAYOUT
FOR HEADER

mal't. code		surface		tolerance	projection	product family	
ISO 1902		ISO 1902		ISO 1436	ISO 1001	CONAN	
ecn no		dr		date		title	
AF						CONAN™ CONNECTOR ASSEMBLY	
angles		linear		XXL01/XXL03		INCH/MM	
0° ± 2°		XXXL05/XXXL13		XXXL06/XXXL06		scale 5:1	
dr		R.SEIPLE		11/13/91		dwg no	
engr		D.HORCHLER		01/10/92		sheet 5 of 7	
chr		D.HORCHLER		01/10/92		size	
appd		D.HORCHLER		01/10/92		A3	
sheet index		revision sheet				type Product Customer Drawing	

PRODUCT NUMBER	POS	DIM "A"	DIM "C"	DIM "D"	DIM "E"
919TC-WXY09					
↑ -WXY09LF	9	.366 [9.30]	.157 [4.00]	.118 [3.00]	.1990 [5.055]
-WXY11	11	.406 [10.30]	.197 [5.00]	.157 [4.00]	.2380 [6.045]
-WXY15LF	15	.484 [12.30]	.276 [7.00]	.236 [6.00]	.3170 [8.052]
-WXY21	21	.602 [15.30]	.394 [10.00]	.354 [9.00]	.4350 [11.049]
-WXY25LF	25	.681 [17.30]	.472 [12.00]	.433 [11.00]	.5140 [13.056]
-WXY31	31	.800 [20.30]	.591 [15.00]	.551 [14.00]	.6320 [16.053]
-WXY41	41	.996 [25.30]	.787 [20.00]	.748 [19.00]	.8290 [21.057]
-WXY51LF	51	1.193 [30.30]	.984 [25.00]	.945 [24.00]	1.0260 [26.060]
-WXY69	69	1.547 [39.30]	1.339 [34.00]	1.299 [33.00]	1.3800 [35.052]
↑ -WXY69LF					

NOTES:

1. MATERIALS:
 RECEPTACLE HOUSING - LCP, UL-94V-0. COLOR: NATURAL.
 RECEPTACLE TERMINALS - COPPER ALLOY, PLATED WITH 15u"/.38u GXT™ IN CONTACT AREA AND 100u"/2.54u Sn ON SOLDER LEGS WITH AN OVERALL 50u"/1.27u Ni UNDERPLATE.
 HEADER HOUSING - LCP, UL-94V-0. COLOR: NATURAL.
 HEADER TERMINALS - COPPER ALLOY, PLATED WITH 15u"/.38u GXT™ IN CONTACT AREA AND 100u"/2.54u Sn ON SOLDER LEGS WITH AN OVERALL 50u"/1.27u Ni UNDERPLATE.
 RETENTION DEVICE - BRASS, PLATED WITH 100u"/2.54u Sn OVER NICKEL.
2. REFERENCE GS-12-006 FOR PRODUCT PERFORMANCE DATA.
3. SEE TA-774 FOR FURTHER DESCRIPTION OF HOW THIS DIMENSION IS APPLIED.
4. PICK AND PLACE CAP OR TAPE IS ONLY AVAILABLE WITH OPTION 3 PACKAGING. (PSA ADHESIVE SEALED). ALSO, PSA PACKAGING REQUIRES A PICK AND PLACE CAP.
5. RECOMMENDED SOLDER PASTE THICKNESS IS .006 TO .008 INCHES THICK.
6. THE TOE HEIGHT OF THE SOLDER TAIL SHALL BE MEASURED FROM THE LOWEST POINT OF THE .004 CO-PLANARITY GRAVITY PLANE. THIS MEASUREMENT IS NOT TO EXCEED A WINDOW OF .000 TO .007 INCHES.
7. THREE SLOTS MAY BE LOCATED AT EITHER END OF HOUSING.
8. 5.50mm MATED HEIGHT IS ONLY AVAILABLE IN 9, 15 AND 31 POS.
9. 7.50mm MATED HEIGHT IS ONLY AVAILABLE IN 9 POS.
10. APPLIES TO 91921-3XYZZ AND 91931-3XYZZ OPTIONS ONLY.
11. THE HOUSING WILL WITHSTAND EXPOSURE TO 260°C PEAK TEMPERATURE FOR 30 SECONDS IN A CONVECTION INFRA RED OR VAPOR PHASE REFLOW OVEN. SEE APPLICATION/PROCEDURES IF THEY ARE AVAILABLE.
12. PRODUCT WITH "LF" AT THE END MEETS EUROPEAN UNION DIRECTIVES AND OTHER COUNTRY REGULATION AS DESCRIBED IN GS-22-008.

mal'l. code		surface	tolerance	projection	product family
		ISO 1902	ISO 406		CONAN
		ISO 1001	ISO 1001		
lfr	ecn no	dt	date	tolerances unless otherwise specified	title
AF				linear	CONAN™ CONNECTOR ASSEMBLY
				angles	
				0°±2'	
				dt	
				eng	
				chr	
				appd	
sheet	revision				
index	sheet				

PRODUCT NUMBER
SEE TABLE

CONAN ASSEMBLY PART NUMBER

919 T C - W X Y ZZ LF

LEAD FREE OPTION
SEE NOTE 12

TYPE	T
HEADER WITH NO PEGS	0
HEADER WITH PEGS	1
RECEPTACLE WITH NO PEGS	2
RECEPTACLE WITH PEGS	3

PICK AND PLACE CAP OR TAPE (NOTE 4)	C
WITHOUT CAP OR TAPE	0
WITH CAP	1
WITH TAPE (RECEPTACLE ONLY)	2

PACKAGING	W
TUBE	2
PRESSURE SEALED TAPE & REEL	3

NOTE 4

Y	HEADER HEIGHT	RECEPTACLE HEIGHT	MATED HEIGHT	+0.010 -0.008 [+.25] [-.20]
1	.034 [.86]	.129 [3.28]	.163 [4.15]	
2	.048 [1.23]		.177 [4.50]	
3	.068 [1.73]		.197 [5.00]	
4	.107 [2.72]		.236 [6.00]	
5	.1465 [3.721]		.276 [7.00]	
6	.088 [2.23]		.216 [5.50]	
7	.1665 [4.229]		.296 [7.52]	

SEE Y=1
FOR ALL
RECEPTACLES

* NOTE 8
** NOTE 9

X	PLATING
1	15u"/.38u GXT™
2	30u"/.76u GXT™

ZZ	NUMBER OF POSITIONS
09	9
11	11
15	15
21	21
25	25
31	31
41	41
51	51
69	69

EXAMPLE: 91921-31125LF
IS A CONAN RECEPTACLE ASSEMBLY,
HAVING NO PEGS AND WITH A PICK AND PLACE CAP.
IT ALSO HAS GXT™ PLATING, IS .13 [3.2] HIGH AND 25
POSITIONS AND IS PACKAGED IN PRESSURE SEALED TAPE,
REEL AND LEAD FREE.

mal'l. code		surface ISO 902		tolerance ISO 406 ISO 1001		projection		product family CONAN	
lfr	ecn no	dr	date	tolerances unless otherwise specified		INCH/MM		title CONAN™ CONNECTOR ASSEMBLY	
AF				angles	linear	XX±.01/XX±0.3 XXX±.005/XXX±0.13 XXXX±.002/XXXX±0.05		dwg no 91900	
				0'±2'		scale 5:1		sheet 7 of 7 size A3	
		dr	R.SEIPLE	11/13/91		FCJ		type Product Customer Drawing	
		eng	D.HORCHLER	01/10/92					
		chr	D.HORCHLER	01/10/92					
		appd	D.HORCHLER	01/10/92					
sheet index	revision sheet								

PDM: Rev:AF

STATUS:Released

Printed: Oct 12, 2010