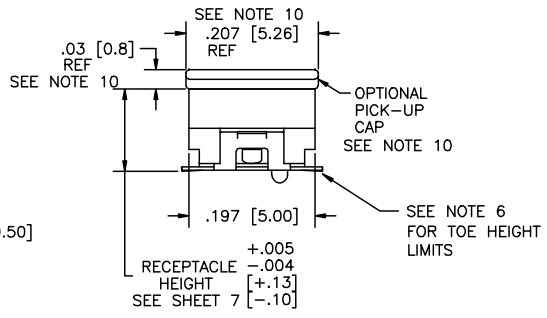
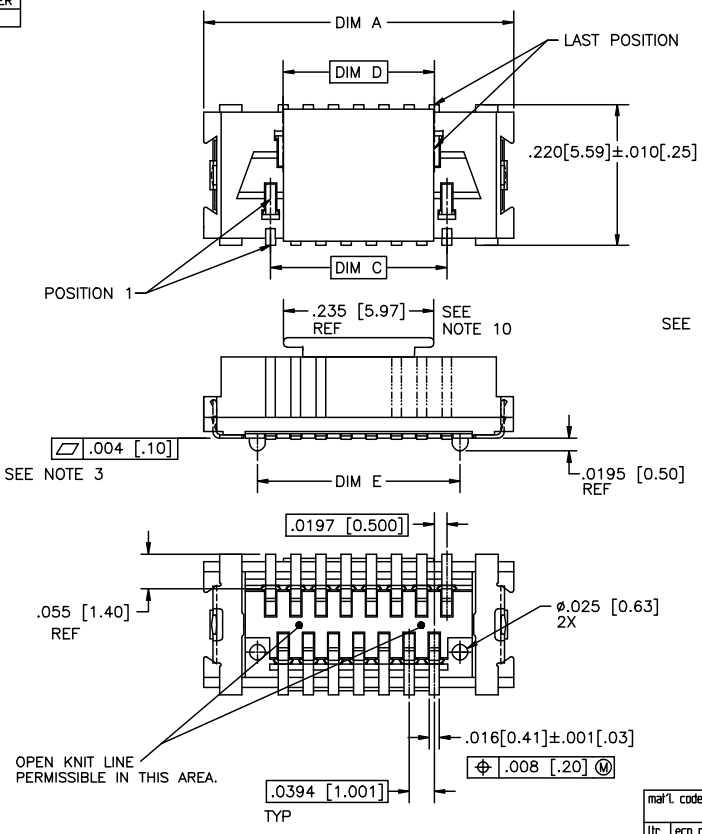




PRODUCT NUMBER  
SEE TABLE

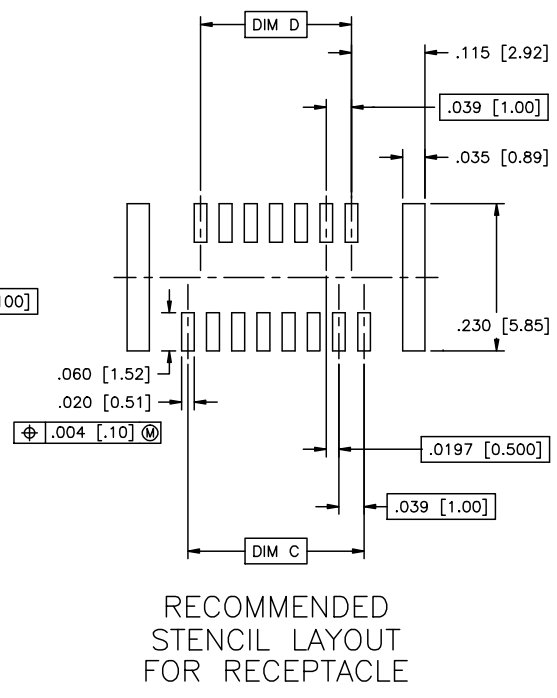
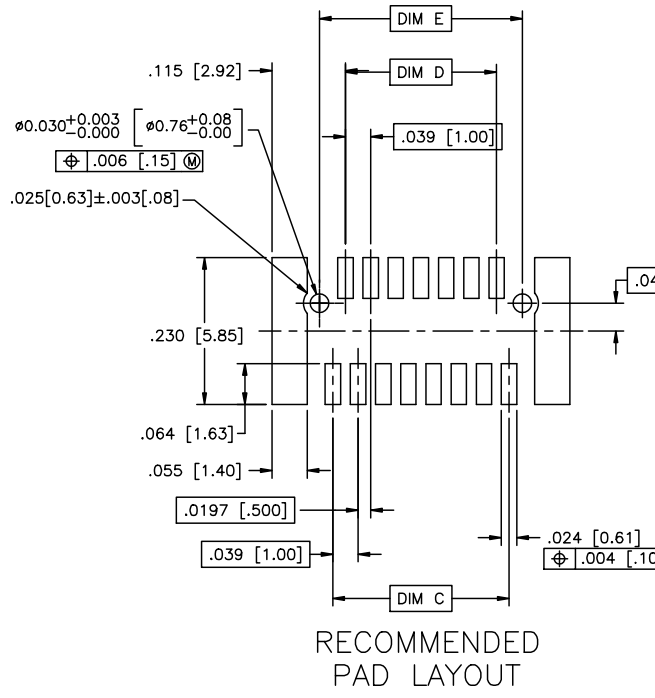


Copyright FCI

|   |             |                           |           |            |                           |
|---|-------------|---------------------------|-----------|------------|---------------------------|
| mal'l. code                             |             | surface                   | tolerance | projection | product family            |
| ISO 1902                                |             | ISO 406                   | ISO 1001  | ASME Y14.5 | CONAN                     |
| Intolerances unless otherwise specified |             | linear                    |           | INCH/MM    | title                     |
| angles                                  |             | .001/.010/.030            |           | 5:1        | CONAN™ CONNECTOR ASSEMBLY |
| 0° ± 2°                                 |             | .001 ± .005 / .001 ± 0.13 |           | scale      | dwg no                    |
|   |             | .001 ± .005 / .001 ± 0.13 |           | 5:1        | 91900                     |
| dr                                      | R. SEIPLE   | 11/13/91                  | FCI       |            | sheet 2 of 7              |
| engr                                    | D. HORCHLER | 01/10/92                  |           |            | size                      |
| chr                                     | D. HORCHLER | 01/10/92                  |           |            | A3                        |
| appd                                    | D. HORCHLER | 01/10/92                  |           |            | type                      |
| sheet index                             |             | revision sheet            |           |            | Product Customer Drawing  |

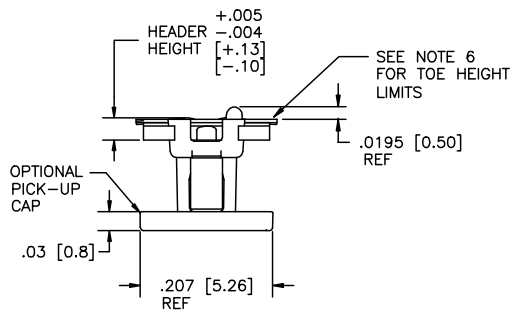


PRODUCT NUMBER  
SEE TABLE



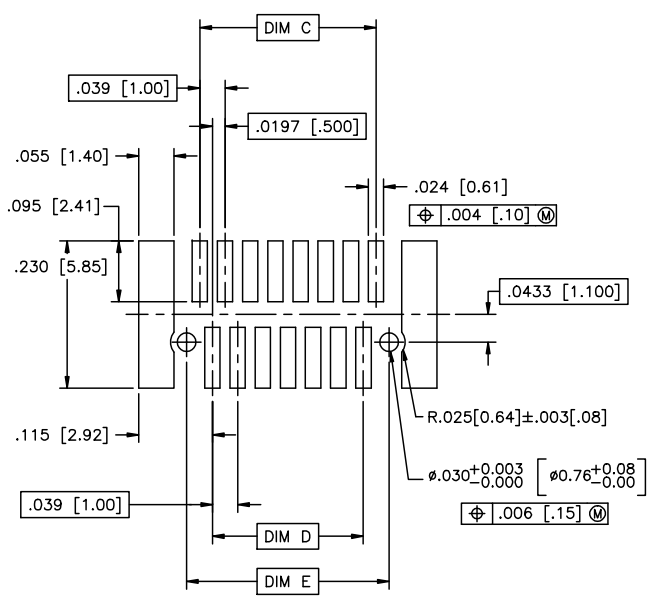
|                   |          |                          |                     |                           |                |
|-------------------|----------|--------------------------|---------------------|---------------------------|----------------|
| mal't. code       |          | surface                  | tolerance           | projection                | product family |
| ISO 1902          |          | ISO 1436                 | ISO 1001            | ISO 1001                  | CONAN          |
| tr                | ecm no   | dr                       | date                | title                     |                |
| AF                |          |                          |                     | CONAN™ CONNECTOR ASSEMBLY |                |
| angles            |          | linear                   | linear              | INCH/MM                   | dwg no         |
| 0°±2'             |          | XXX±.01/XXX±.03          | XXX±.005/XXX±.013   | scale 5:1                 | sheet 3 of 7   |
| dr                |          | eng                      | chr                 | app                       | size           |
| R.SEIPLE 11/13/91 |          | D.HORCHLER 01/10/92      | D.HORCHLER 01/10/92 | D.HORCHLER 01/10/92       | A3             |
| sheet             | revision | type                     |                     |                           |                |
| index             | sheet    | Product Customer Drawing |                     |                           |                |

PRODUCT NUMBER  
SEE TABLE

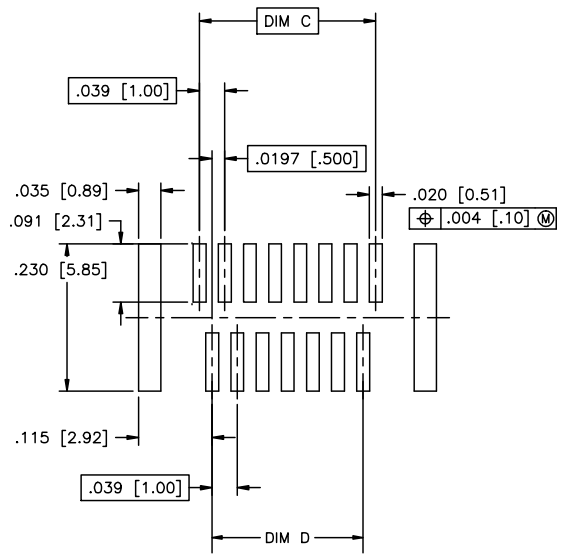


|             |  |                                       |    |                 |           |                 |                           |                          |  |
|-------------|--|---------------------------------------|----|-----------------|-----------|-----------------|---------------------------|--------------------------|--|
| mal'l. code |  | surface                               |    | ISO 1902        | tolerance | ISO 1436        | projection                | product family           |  |
| litr        |  | ecn no                                | dr | date            | ISO 1001  |                 | INCH/MM                   | CONAN                    |  |
| AF          |  | tolerances unless otherwise specified |    |                 |           |                 |                           | title                    |  |
|             |  | angles                                |    | linear          |           | XXXL01/XXXL03   | CONAN™ CONNECTOR ASSEMBLY |                          |  |
|             |  | 0°±2°                                 |    | XXXL005/XXXL013 |           | XXXL000/XXXL061 | dwg no                    |                          |  |
|             |  |                                       |    |                 |           | scale 5:1       | sheet 4 of 7              |                          |  |
|             |  | dr                                    |    | R.SEIPLE        |           | 11/13/91        | size                      |                          |  |
|             |  | engr                                  |    | D.HORCHLER      |           | 01/10/92        | 91900                     |                          |  |
|             |  | chr                                   |    | D.HORCHLER      |           | 01/10/92        | A3                        |                          |  |
|             |  | appd                                  |    | D.HORCHLER      |           | 01/10/92        | type                      |                          |  |
| sheet       |  | revision                              |    |                 |           |                 |                           | Product Customer Drawing |  |
| index       |  | sheet                                 |    |                 |           |                 |                           |                          |  |

PRODUCT NUMBER  
SEE TABLE



RECOMMENDED  
PAD LAYOUT



RECOMMENDED  
STENCIL LAYOUT  
FOR HEADER

|             |  |                |  |                      |  |                   |  |                               |  |
|-------------|--|----------------|--|----------------------|--|-------------------|--|-------------------------------|--|
| mal't. code |  | surface        |  | tolerance            |  | projection        |  | product family                |  |
| ISO 1902    |  | ISO 1902       |  | ISO 1436<br>ISO 1001 |  | 1st angle         |  | CONAN                         |  |
| itr         |  | ecn no         |  | date                 |  | INCH/MM           |  | title                         |  |
| AF          |  |                |  |                      |  | 5X1.01/2X0.3      |  | CONAN™ CONNECTOR ASSEMBLY     |  |
|             |  |                |  |                      |  | XXX±.005/XXX±.13  |  | dwg no                        |  |
|             |  |                |  |                      |  | XXX±.000/XXX±0.05 |  | 91900                         |  |
|             |  |                |  |                      |  | scale 5:1         |  | sheet 5 of 7                  |  |
|             |  |                |  |                      |  | FCJ               |  | size A3                       |  |
|             |  |                |  |                      |  |                   |  | type Product Customer Drawing |  |
| sheet index |  | revision sheet |  |                      |  |                   |  |                               |  |

| PRODUCT NUMBER | POS | DIM "A"       | DIM "C"       | DIM "D"       | DIM "E"         |
|----------------|-----|---------------|---------------|---------------|-----------------|
| 919TC-WXY09    |     |               |               |               |                 |
| ↑ -WXY09LF     | 9   | .366 [9.30]   | .157 [4.00]   | .118 [3.00]   | .1990 [5.055]   |
| -WXY11         | 11  | .406 [10.30]  | .197 [5.00]   | .157 [4.00]   | .2380 [6.045]   |
| -WXY15LF       | 15  | .484 [12.30]  | .276 [7.00]   | .236 [6.00]   | .3170 [8.052]   |
| -WXY21         | 21  | .602 [15.30]  | .394 [10.00]  | .354 [9.00]   | .4350 [11.049]  |
| -WXY25LF       | 25  | .681 [17.30]  | .472 [12.00]  | .433 [11.00]  | .5140 [13.056]  |
| -WXY31         | 31  | .800 [20.30]  | .591 [15.00]  | .551 [14.00]  | .6320 [16.053]  |
| -WXY41LF       | 41  | .996 [25.30]  | .787 [20.00]  | .748 [19.00]  | .8290 [21.057]  |
| -WXY51         | 51  | 1.193 [30.30] | .984 [25.00]  | .945 [24.00]  | 1.0260 [26.060] |
| -WXY69         | 69  | 1.547 [39.30] | 1.339 [34.00] | 1.299 [33.00] | 1.3800 [35.052] |
| ↑ -WXY69LF     |     |               |               |               |                 |

NOTES:

- MATERIALS:  
RECEPTACLE HOUSING - LCP, UL-94V-0. COLOR: NATURAL.  
RECEPTACLE TERMINALS - COPPER ALLOY, PLATED WITH 15u"/.38u GXT™ IN CONTACT AREA AND 100u"/2.54u Sn ON SOLDER LEGS WITH AN OVERALL 50u"/1.27u Ni UNDERPLATE.  
HEADER HOUSING - LCP, UL-94V-0. COLOR: NATURAL.  
HEADER TERMINALS - COPPER ALLOY, PLATED WITH 15u"/.38u GXT™ IN CONTACT AREA AND 100u"/2.54u Sn ON SOLDER LEGS WITH AN OVERALL 50u"/1.27u Ni UNDERPLATE.  
RETENTION DEVICE - BRASS, PLATED WITH 100u"/2.54u Sn OVER NICKEL.
- REFERENCE GS-12-006 FOR PRODUCT PERFORMANCE DATA.
- SEE TA-774 FOR FURTHER DESCRIPTION OF HOW THIS DIMENSION IS APPLIED.
- PICK AND PLACE CAP OR TAPE IS ONLY AVAILABLE WITH OPTION 3 PACKAGING. (PSA ADHESIVE SEALED). ALSO, PSA PACKAGING REQUIRES A PICK AND PLACE CAP.
- RECOMMENDED SOLDER PASTE THICKNESS IS .006 TO .008 INCHES THICK.
- THE TOE HEIGHT OF THE SOLDER TAIL SHALL BE MEASURED FROM THE LOWEST POINT OF THE .004 CO-PLANARITY GRAVITY PLANE. THIS MEASUREMENT IS NOT TO EXCEED A WINDOW OF .000 TO .007 INCHES.
- THREE SLOTS MAY BE LOCATED AT EITHER END OF HOUSING.
- 5.50mm MATED HEIGHT IS ONLY AVAILABLE IN 9, 15 AND 31 POS.
- 7.50mm MATED HEIGHT IS ONLY AVAILABLE IN 9 POS.
- APPLIES TO 91921-3XYZZ AND 91931-3XYZZ OPTIONS ONLY.
- THE HOUSING WILL WITHSTAND EXPOSURE TO 260°C PEAK TEMPERATURE FOR 30 SECONDS IN A CONVECTION INFRA RED OR VAPOR PHASE REFLOW OVEN. SEE APPLICATION/PROCEDURES IF THEY ARE AVAILABLE.
- PRODUCT WITH "LF" AT THE END MEETS EUROPEAN UNION DIRECTIVES AND OTHER COUNTRY REGULATION AS DESCRIBED IN GS-22-008.

|             |                     |                                  |            |   |
|-------------|---------------------|----------------------------------|------------|---|
| mal'l. code | surface<br>ISO 1902 | tolerance<br>ISO 406<br>ISO 1001 | projection | product family<br>CONAN   |
| lfr         | ecn no              | dr                               | date       | tolerances unless otherwise specified   |
| AF          |                     |                                  |            | angles linear<br>XXX±.01/XXX±.03<br>XXX±.005/XXX±.013<br>0'±2'<br>XXX±.000/XXX±.005 |
|             |                     |                                  |            | INCH/MM   |
|             |                     |                                  |            | scale 5:1   |
|             |                     |                                  |            | title<br>CONAN™ CONNECTOR ASSEMBLY  |
|             |                     |                                  |            | dwg no<br>91900   |
|             |                     |                                  |            | sheet 6 of 7  |
|             |                     |                                  |            | size<br>A3  |
|             |                     |                                  |            | type<br>Product Customer Drawing  |
| sheet index | revision sheet      |                                  |            |   |

PRODUCT NUMBER  
SEE TABLE

CONAN ASSEMBLY PART NUMBER

919 T C - W X Y ZZ LF

LEAD FREE OPTION  
SEE NOTE 12

| TYPE                    | T |
|-------------------------|---|
| HEADER WITH NO PEGS     | 0 |
| HEADER WITH PEGS        | 1 |
| RECEPTACLE WITH NO PEGS | 2 |
| RECEPTACLE WITH PEGS    | 3 |

| PICK AND PLACE CAP OR TAPE (NOTE 4) | C |
|-------------------------------------|---|
| WITHOUT CAP OR TAPE                 | 0 |
| WITH CAP                            | 1 |
| WITH TAPE (RECEPTACLE ONLY)         | 2 |

| PACKAGING                   | W |
|-----------------------------|---|
| TUBE                        | 2 |
| PRESSURE SEALED TAPE & REEL | 3 |

NOTE 4

| Y | HEADER HEIGHT | RECEPTACLE HEIGHT | MATED HEIGHT | +0.10<br>-0.08<br>[+.25]<br>[-.20] |
|---|---------------|-------------------|--------------|------------------------------------|
| 1 | .034 [.86]    | .129 [3.28]       | .163 [4.15]  |                                    |
| 2 | .048 [1.23]   |                   | .177 [4.50]  |                                    |
| 3 | .068 [1.73]   |                   | .197 [5.00]  |                                    |
| 4 | .107 [2.72]   |                   | .236 [6.00]  |                                    |
| 5 | .1465 [3.721] |                   | .276 [7.00]  |                                    |
| 6 | .088 [2.23]   |                   | .216 [5.50]  |                                    |
| 7 | .1665 [4.229] |                   | .296 [7.52]  |                                    |

SEE Y=1  
FOR ALL  
RECEPTACLES

\* NOTE 8  
\*\* NOTE 9

| X | PLATING        |
|---|----------------|
| 1 | 15u"/.38u GXT™ |
| 2 | 30u"/.76u GXT™ |

| ZZ | NUMBER OF POSITIONS |
|----|---------------------|
| 09 | 9                   |
| 11 | 11                  |
| 15 | 15                  |
| 21 | 21                  |
| 25 | 25                  |
| 31 | 31                  |
| 41 | 41                  |
| 51 | 51                  |
| 69 | 69                  |

EXAMPLE: 91921-31125LF  
IS A CONAN RECEPTACLE ASSEMBLY,  
HAVING NO PEGS AND WITH A PICK AND PLACE CAP.  
IT ALSO HAS GXT™ PLATING, IS .13 [3.2] HIGH AND 25  
POSITIONS AND IS PACKAGED IN PRESSURE SEALED TAPE,  
REEL AND LEAD FREE.

|             |                     |   |            |                                    |
|-------------|---------------------|---|------------|------------------------------------|
| mal'l. code | surface<br>ISO 1902 | tolerance<br>ISO 1436<br>ISO 1101                         | projection | product family<br>CONAN            |
| lfr         | ecn no              | dr  | date       | title<br>CONAN™ CONNECTOR ASSEMBLY |
| AF          |                     |   |            | dwg no<br>91900                    |
|             | angles              | linear  | INCH/MM    | sheet 7 of 7                       |
|             | 0'±2'               | XXX±.01/XXX±.03<br>XXX±.005/XXX±.013<br>XXX±.002/XXX±.005 | scale 5:1  | size<br>A3                         |
|             | dr                  | R.SEIPLE  | 11/13/91   | type<br>Product Customer Drawing   |
|             | eng                 | D.HORCHLER  | 01/10/92   |                                    |
|             | chr                 | D.HORCHLER  | 01/10/92   |                                    |
|             | app                 | D.HORCHLER  | 01/10/92   |                                    |
| sheet index | revision sheet      |   |            |                                    |

PDM: Rev:AF

STATUS: Released

Printed: Oct 12, 2010



Copyright FCI