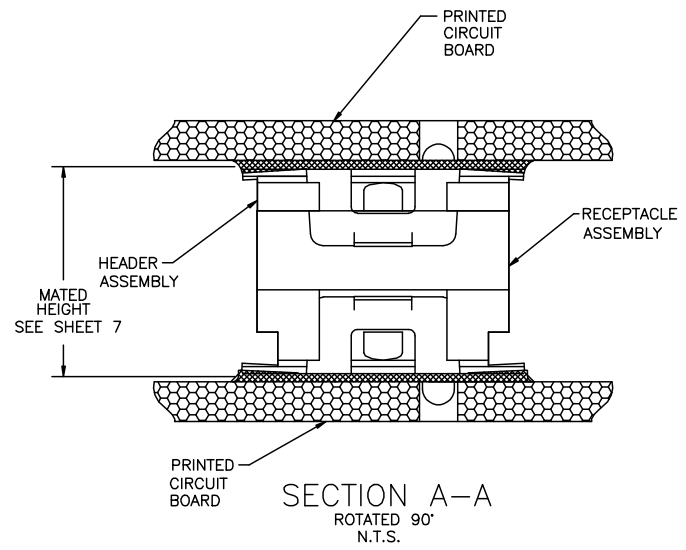
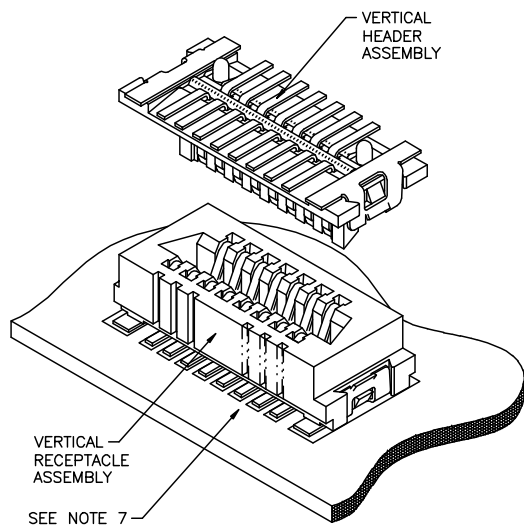
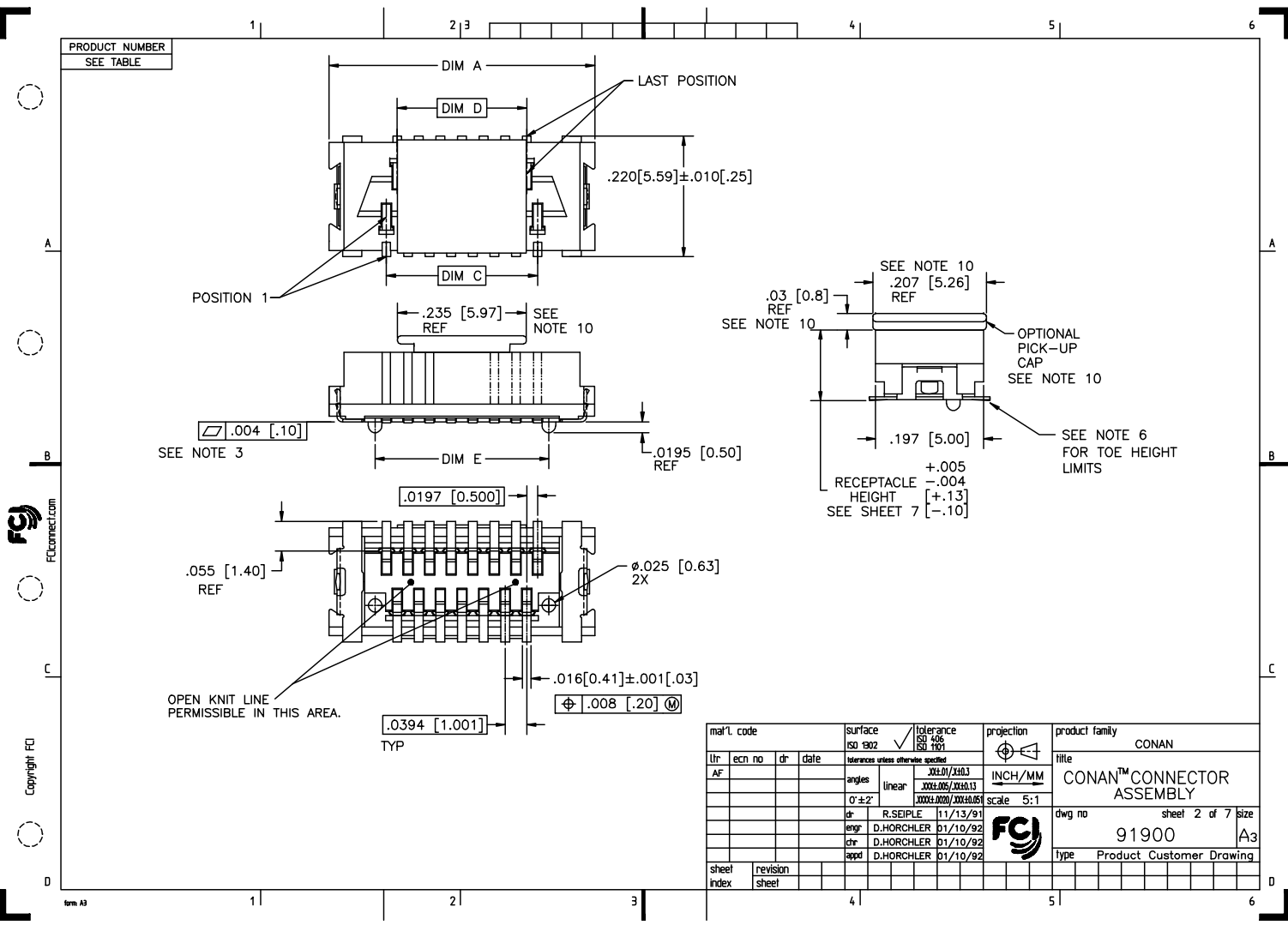


PRODUCT NUMBER
SEE TABLE

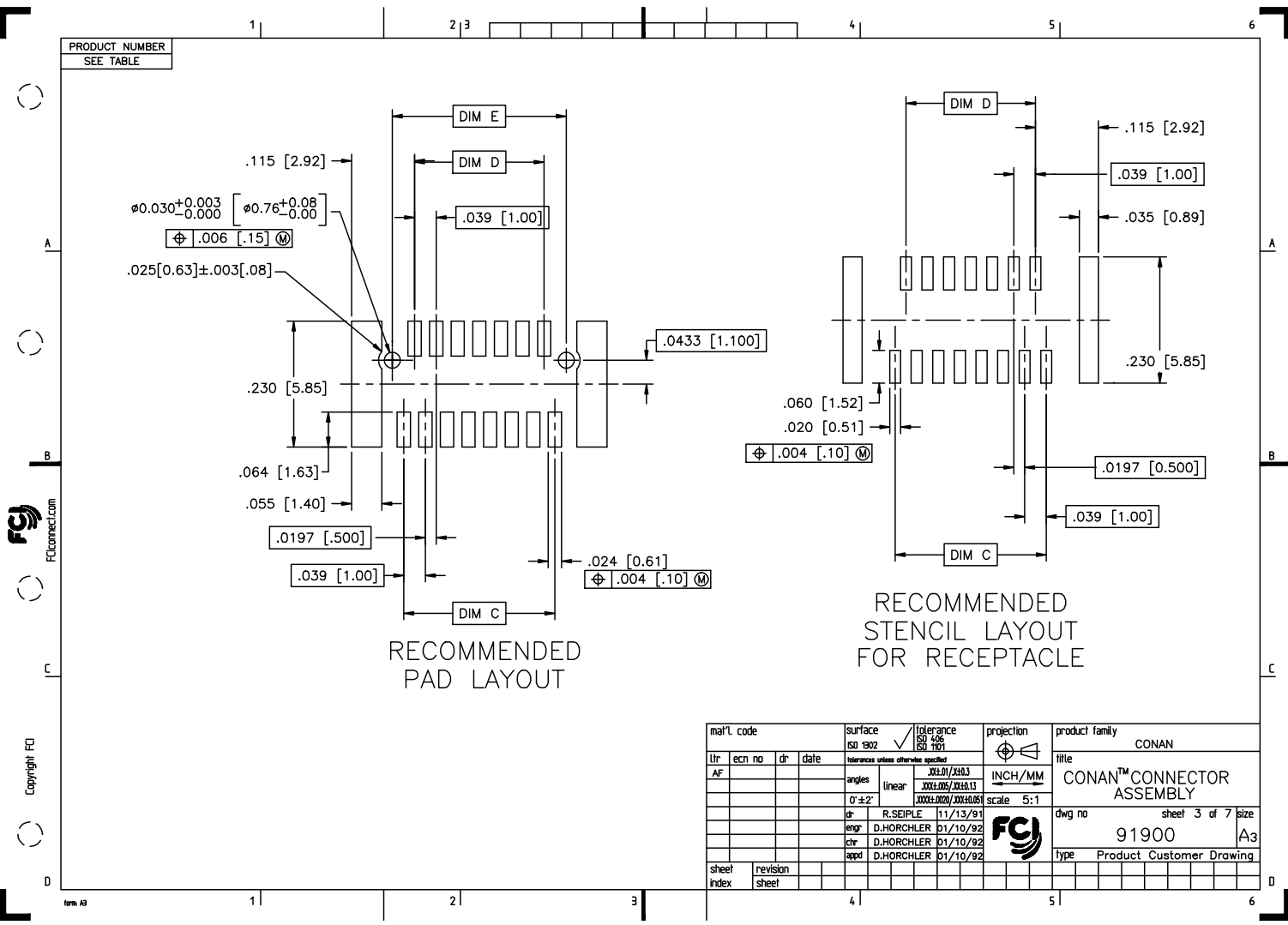


mal'l. code		surface	tolerance	projection	product family
		ISO 1902	ISO 1436 ISO 1101		CONAN
itr		tolerances unless otherwise specified		title	
ecn no	dr	date	angles	linear	INCH/MM
Y V03-1347	AA	12/20/01	XXL01/XXL03		CONAN™ CONNECTOR ASSEMBLY
AA M04-0190	MHT	9/24/04	XXXL005/XXXL013	scale 5:1	dwg no 91900 sheet 1 of 7 size A3
AB M05-0110	MHT	5/26/05	0'±2'		type Product Customer Drawing
AC M06-0232	AGS	06/12/08	dr	R.SEIPLE	11/13/91
AD M06-0373	MHT	9/26/06	engr	D.HORCHLER	01/10/92
AE M08-0012	AGS	1/11/08	chr	D.HORCHLER	01/10/92
AF M08-0287	MHT	10/02/08	appd	D.HORCHLER	01/10/92
sheet	revision	AF	AF	AF	AF
index	sheet	1	2	3	4



mal'l. code		surface	tolerance	projection	product family
ISO 902		ISO 406	ISO 1001	CONAN	CONAN
Intolerances unless otherwise specified		INCH/MM		title	
ltf	ecn no	dr	date	CONAN™ CONNECTOR ASSEMBLY	
AF				dwg no	sheet 2 of 7
angles	linear	scale 5:1		91900	size A3
0° ± 2°	XXX±.005/XXX±0.13	FCJ		type Product Customer Drawing	
dr	R.SEIPLE	11/13/91			
engr	D.HORCHLER	01/10/92			
chr	D.HORCHLER	01/10/92			
appd	D.HORCHLER	01/10/92			
sheet index	revision sheet				

PDM: Rev:AF STATUS:Released Printed: Oct 12, 2010



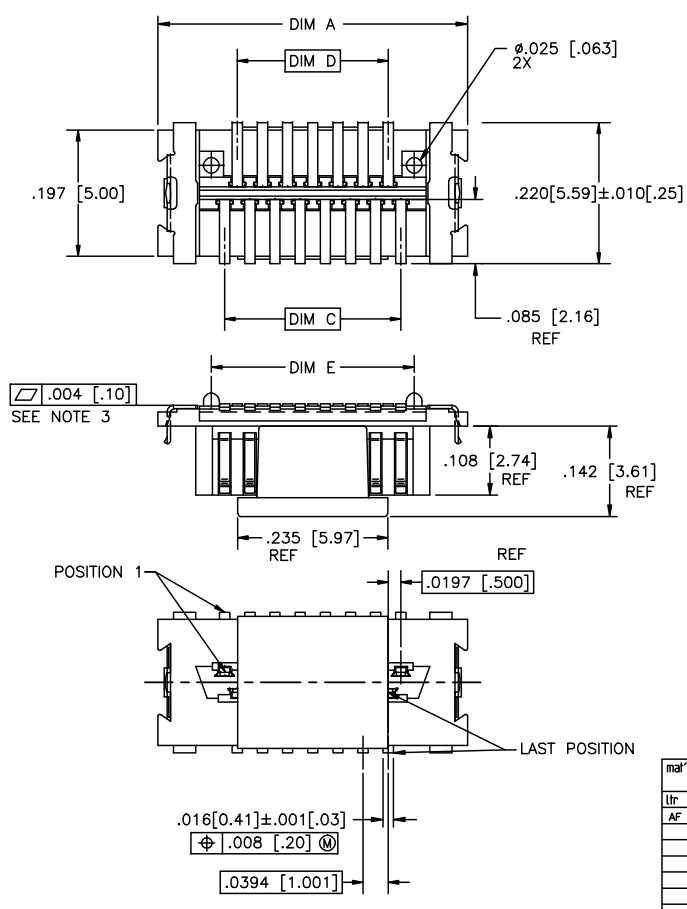
PRODUCT NUMBER
SEE TABLE



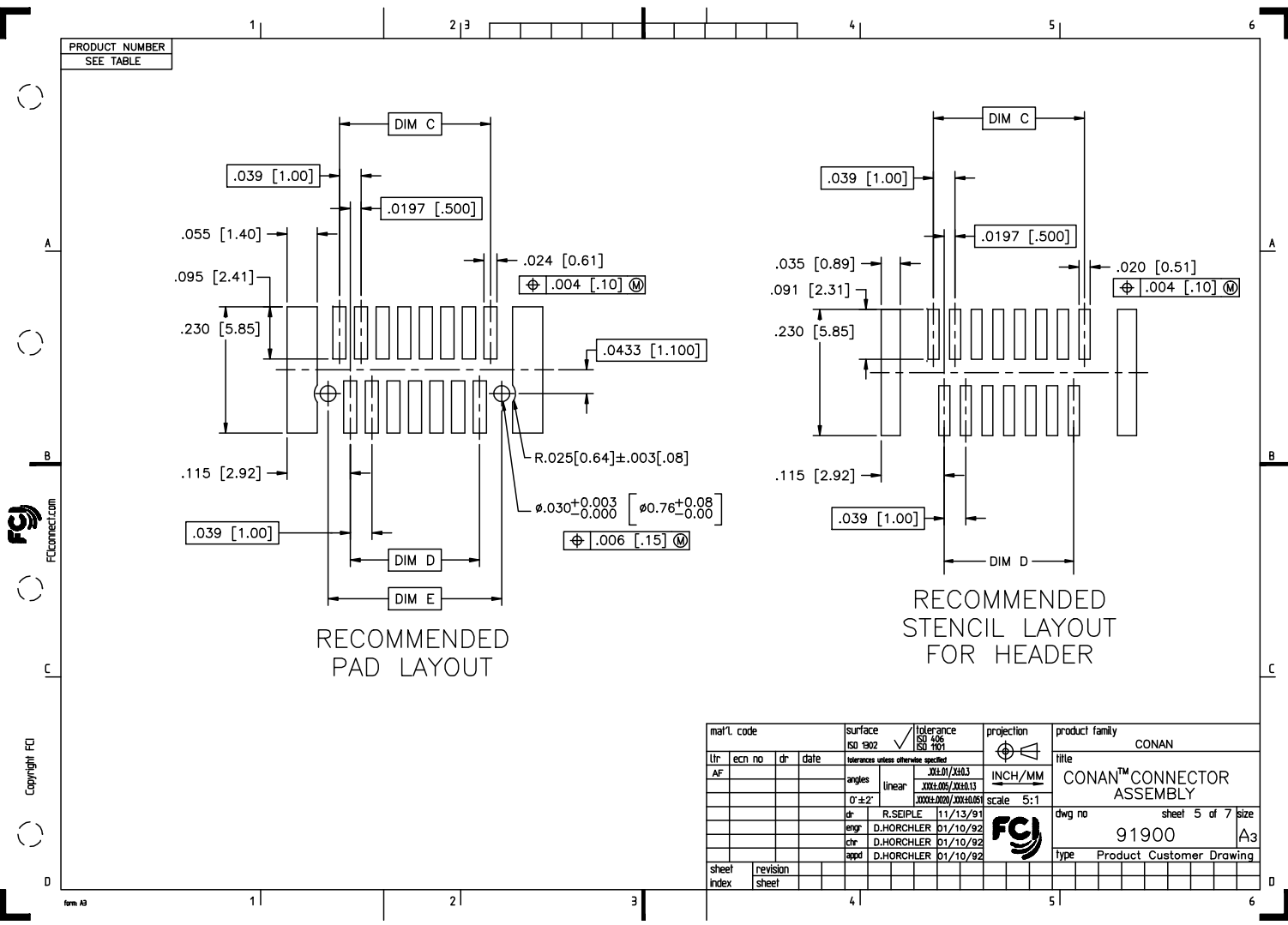
Copyright FCI

mal't. code		surface	tolerance	projection	product family
ISO 1902		ISO 143	ISO 1001	ISO 1001	CONAN
ltr	ecm no	dr	date	title	
AF				CONAN™ CONNECTOR ASSEMBLY	
angles		linear	linear	INCH/MM	dwg no
0°±2'		XXX±.01/XXX±.03	XXX±.005/XXX±.013	scale 5:1	sheet 3 of 7
dr	R.SEIPLE	11/13/91			size
eng	D.HORCHLER	01/10/92			A3
chr	D.HORCHLER	01/10/92			
app	D.HORCHLER	01/10/92			
sheet	revision				
index	sheet				

PRODUCT NUMBER
SEE TABLE



mal'l. code		surface		ISO 1902	tolerance	ISO 1436	projection	product family		
lit		ecn no	dr	date	ISO 1001		INCH/MM	CONAN		
AF					tolerances unless otherwise specified			title		
		angles		linear		XXXL01/XXXL03	CONAN™ CONNECTOR ASSEMBLY			
		0° ± 2°		XXXL05/XXXL13		XXXL02/XXXL06	dwg no			
						scale 5:1	sheet 4 of 7			
		dr		R. SEIPLE	11/13/91	FCJ		91900		
		engr		D. HORCHLER	01/10/92			size		A3
		chr		D. HORCHLER	01/10/92			type		Product Customer Drawing
sheet index		revision sheet								



mal't. code		surface	tolerance	projection	product family
ISO 1902		ISO 1902	ISO 1436 ISO 1001	1st angle	CONAN
itr		tolerances unless otherwise specified			title
ecn no	dr	date	linear	INCH/MM	CONAN™ CONNECTOR ASSEMBLY
AF			XXL01/XXL03 XXXL05/XXXL13 XXXXL05/XXXXL06	scale 5:1	dwg no
sheet		revision	dr		sheet 5 of 7
index	sheet	date	eng		size
			chr		A3
			app		type
			D.HORCHLER	01/10/92	Product Customer Drawing

PRODUCT NUMBER	POS	DIM "A"	DIM "C"	DIM "D"	DIM "E"
919TC-WXY09					
↑ -WXY09LF	9	.366 [9.30]	.157 [4.00]	.118 [3.00]	.1990 [5.055]
-WXY11	11	.406 [10.30]	.197 [5.00]	.157 [4.00]	.2380 [6.045]
-WXY15LF	15	.484 [12.30]	.276 [7.00]	.236 [6.00]	.3170 [8.052]
-WXY21	21	.602 [15.30]	.394 [10.00]	.354 [9.00]	.4350 [11.049]
-WXY25LF	25	.681 [17.30]	.472 [12.00]	.433 [11.00]	.5140 [13.056]
-WXY31	31	.800 [20.30]	.591 [15.00]	.551 [14.00]	.6320 [16.053]
-WXY41	41	.996 [25.30]	.787 [20.00]	.748 [19.00]	.8290 [21.057]
-WXY51LF	51	1.193 [30.30]	.984 [25.00]	.945 [24.00]	1.0260 [26.060]
-WXY69	69	1.547 [39.30]	1.339 [34.00]	1.299 [33.00]	1.3800 [35.052]
↑ -WXY69LF					

NOTES:

- MATERIALS:
RECEPTACLE HOUSING - LCP, UL-94V-0. COLOR: NATURAL.
RECEPTACLE TERMINALS - COPPER ALLOY, PLATED WITH 15u"/.38u GXT™ IN CONTACT AREA AND 100u"/2.54u Sn ON SOLDER LEGS WITH AN OVERALL 50u"/1.27u Ni UNDERPLATE.
HEADER HOUSING - LCP, UL-94V-0. COLOR: NATURAL.
HEADER TERMINALS - COPPER ALLOY, PLATED WITH 15u"/.38u GXT™ IN CONTACT AREA AND 100u"/2.54u Sn ON SOLDER LEGS WITH AN OVERALL 50u"/1.27u Ni UNDERPLATE.
RETENTION DEVICE - BRASS, PLATED WITH 100u"/2.54u Sn OVER NICKEL.
- REFERENCE GS-12-006 FOR PRODUCT PERFORMANCE DATA.
- SEE TA-774 FOR FURTHER DESCRIPTION OF HOW THIS DIMENSION IS APPLIED.
- PICK AND PLACE CAP OR TAPE IS ONLY AVAILABLE WITH OPTION 3 PACKAGING. (PSA ADHESIVE SEALED). ALSO, PSA PACKAGING REQUIRES A PICK AND PLACE CAP.
- RECOMMENDED SOLDER PASTE THICKNESS IS .006 TO .008 INCHES THICK.
- THE TOE HEIGHT OF THE SOLDER TAIL SHALL BE MEASURED FROM THE LOWEST POINT OF THE .004 CO-PLANARITY GRAVITY PLANE. THIS MEASUREMENT IS NOT TO EXCEED A WINDOW OF .000 TO .007 INCHES.
- THREE SLOTS MAY BE LOCATED AT EITHER END OF HOUSING.
- 5.50mm MATED HEIGHT IS ONLY AVAILABLE IN 9, 15 AND 31 POS.
- 7.50mm MATED HEIGHT IS ONLY AVAILABLE IN 9 POS.
- APPLIES TO 91921-3XYZZ AND 91931-3XYZZ OPTIONS ONLY.
- THE HOUSING WILL WITHSTAND EXPOSURE TO 260°C PEAK TEMPERATURE FOR 30 SECONDS IN A CONVECTION INFRA RED OR VAPOR PHASE REFLOW OVEN. SEE APPLICATION/PROCEDURES IF THEY ARE AVAILABLE.
- PRODUCT WITH "LF" AT THE END MEETS EUROPEAN UNION DIRECTIVES AND OTHER COUNTRY REGULATION AS DESCRIBED IN GS-22-008.

mal'l. code	surface	tolerance	projection	product family
	ISO 1902	ISO 406		CONAN
lfr	ecn no	dr	date	title
AF				CONAN™ CONNECTOR ASSEMBLY
	angles	linear	INCH/MM	dwg no
	0°±2'	XXXL005/XXXL13	5:1	91900
	dr	eng	chr	sheet 6 of 7
	R.SEIPLE	D.HORCHLER	D.HORCHLER	size A3
	11/13/91	01/10/92	01/10/92	type
	appd	D.HORCHLER	01/10/92	Product Customer Drawing
sheet	revision			
index	sheet			

PRODUCT NUMBER
SEE TABLE

CONAN ASSEMBLY PART NUMBER

919 T C - W X Y ZZ LF

LEAD FREE OPTION
SEE NOTE 12

TYPE	T
HEADER WITH NO PEGS	0
HEADER WITH PEGS	1
RECEPTACLE WITH NO PEGS	2
RECEPTACLE WITH PEGS	3

PICK AND PLACE CAP OR TAPE (NOTE 4)	C
WITHOUT CAP OR TAPE	0
WITH CAP	1
WITH TAPE (RECEPTACLE ONLY)	2

PACKAGING	W
TUBE	2
PRESSURE SEALED TAPE & REEL	3

NOTE 4

Y	HEADER HEIGHT	RECEPTACLE HEIGHT	MATED HEIGHT	+0.010 -0.008 [+.25] [-.20]
1	.034 [.86]	.129 [3.28]	.163 [4.15]	
2	.048 [1.23]		.177 [4.50]	
3	.068 [1.73]		.197 [5.00]	
4	.107 [2.72]		.236 [6.00]	
5	.1465 [3.721]		.276 [7.00]	
6	.088 [2.23]		.216 [5.50]	
7	.1665 [4.229]		.296 [7.52]	

SEE Y=1
FOR ALL
RECEPTACLES

* NOTE 8
** NOTE 9

X	PLATING
1	15u"/.38u GXT™
2	30u"/.76u GXT™

ZZ	NUMBER OF POSITIONS
09	9
11	11
15	15
21	21
25	25
31	31
41	41
51	51
69	69

EXAMPLE: 91921-31125LF
IS A CONAN RECEPTACLE ASSEMBLY,
HAVING NO PEGS AND WITH A PICK AND PLACE CAP.
IT ALSO HAS GXT™ PLATING, IS .13 [3.2] HIGH AND 25
POSITIONS AND IS PACKAGED IN PRESSURE SEALED TAPE,
REEL AND LEAD FREE.

mal'l. code	surface ISO 902	tolerance ISO 406 ISO 1001	projection	product family CONAN
lfr	ecn no	dr	date	title CONAN™ CONNECTOR ASSEMBLY
AF				dwg no 91900
	angles	linear	INCH/MM	sheet 7 of 7
	0'±2'	XXX±.01/XXX±.03 XXX±.005/XXX±.013 XXX±.002/XXX±.005	scale 5:1	size A3
	dr	R.SEIPLE	11/13/91	type Product Customer Drawing
	eng	D.HORCHLER	01/10/92	
	chr	D.HORCHLER	01/10/92	
	appd	D.HORCHLER	01/10/92	
sheet index	revision sheet			