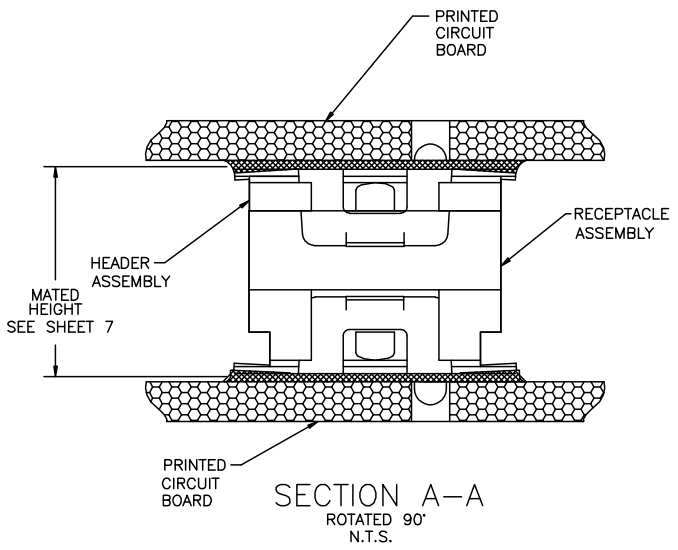
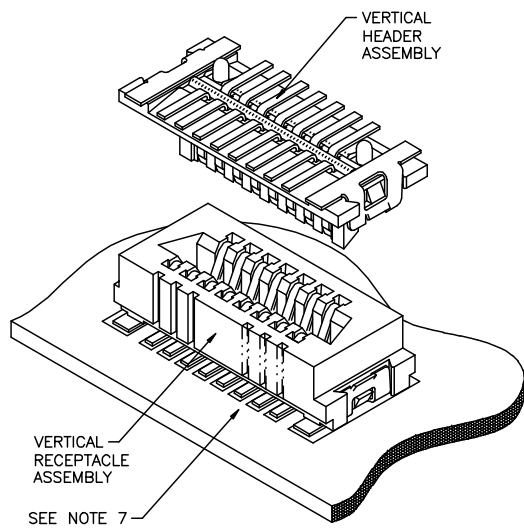


PRODUCT NUMBER
SEE TABLE

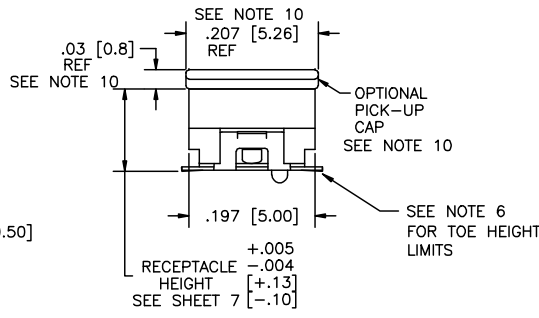
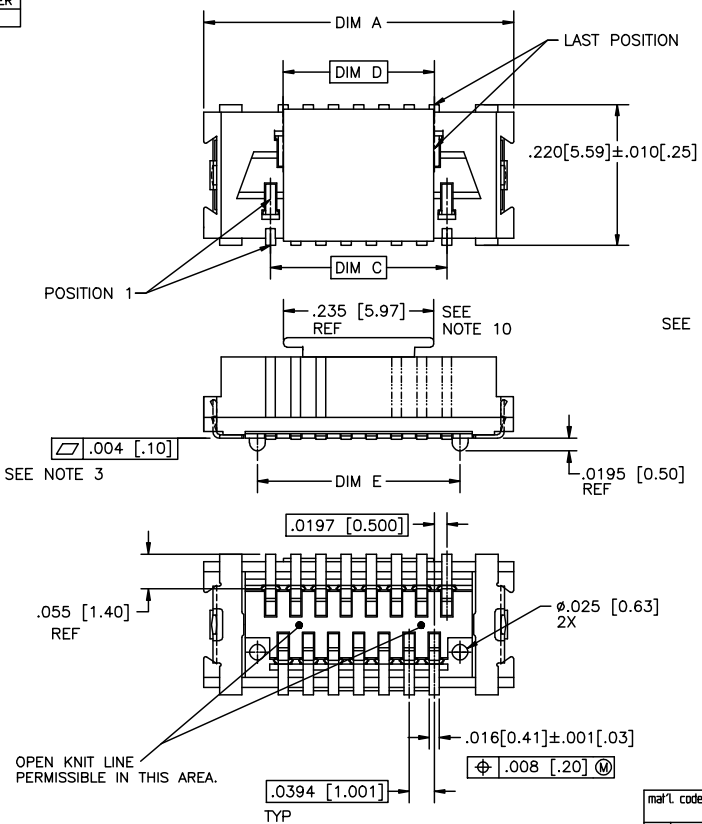


FCJ
FCconnect.com

Copyright FCJ

mal'l. code		surface ISO 1902		tolerance ISO 1436 ISO 1101		projection		product family CONAN	
lfr	ecr no	dr	date	tolerances unless otherwise specified		INCH/MM		title CONAN™ CONNECTOR ASSEMBLY	
Y	W03-1347	AA	12/20/01	angles	linear	XXL01/XXL03 XXXL05/XXXL13		dwg no 91900	
AA	W04-0190	MHT	9/24/04	0'±2'		scale 5:1		sheet 1 of 7 size A3	
AB	M05-0110	MHT	5/26/05			FCJ		type Product Customer Drawing	
AC	M06-0232	AGS	06/12/08	dr	R.SEIPLE	11/13/91			
AD	M06-0373	MHT	9/26/06	eng	D.HORCHLER	01/10/92			
AE	M08-0012	AGS	1/11/08	chr	D.HORCHLER	01/10/92			
AF	M08-0287	MHT	10/02/08	appd	D.HORCHLER	01/10/92			
sheet	revision	AF	AF	AF	AF	AF	AF		
index	sheet	1	2	3	4	5	6	7	

PRODUCT NUMBER
SEE TABLE



FCI
 FCIconnect.com
 Copyright © FCI

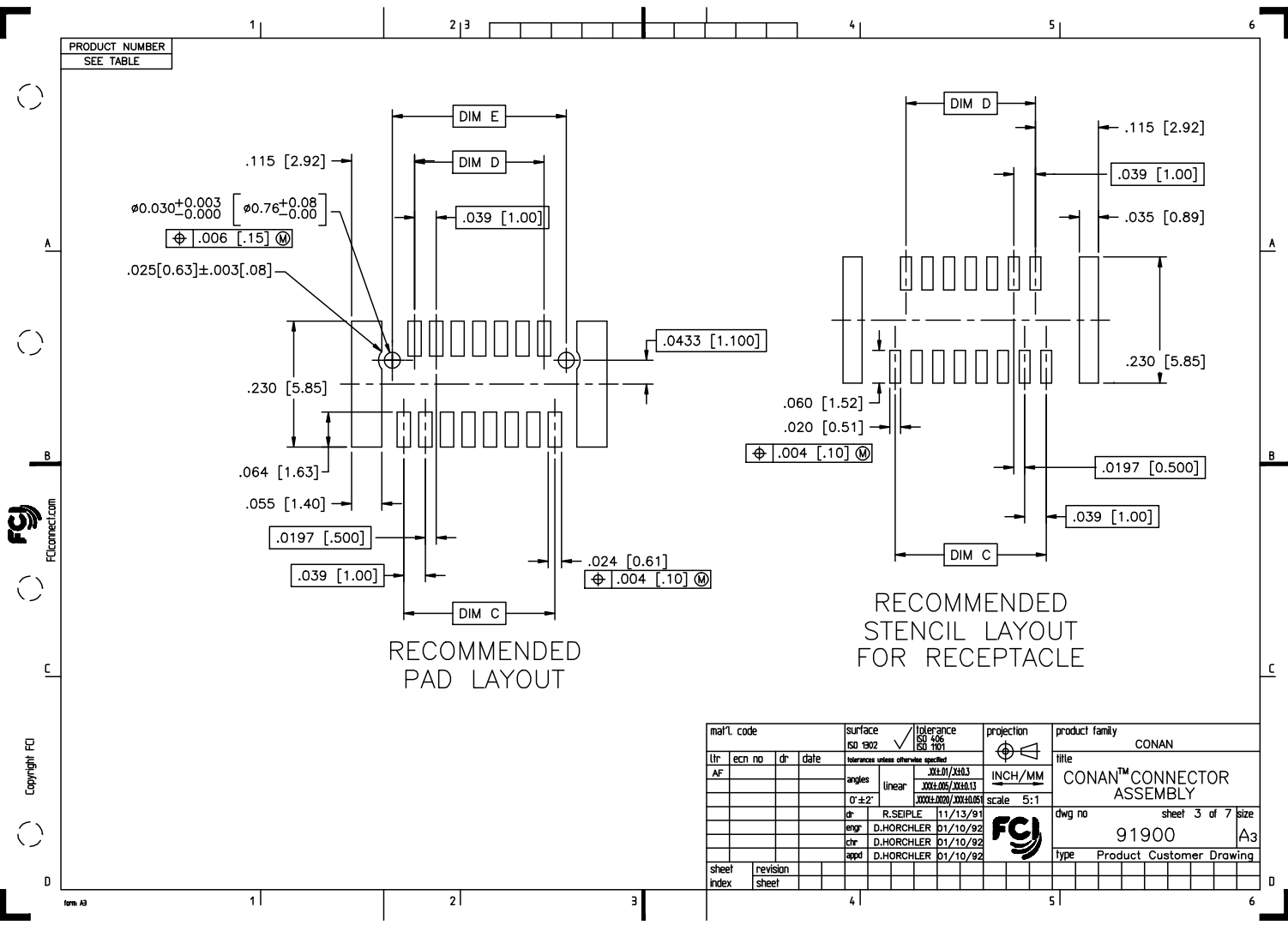
mat'l. code		surface	tolerance	projection	product family
ltr	ecn no	ISO 1902	ISO 428	ISO 1001	CONAN
AF		Intolerances unless otherwise specified			title
		angles	linear	INCH/MM	CONAN™ CONNECTOR ASSEMBLY
		0°±2'	.XX±.01/.XX±.03	scale 5:1	dwg no
			.XXX±.005/.XXX±.013		91900
			.XXX±.000/.XXX±.005		sheet 2 of 7
dr	R. SEIPLE	11/13/91			size
enr	D. HORCHLER	01/10/92			A3
chr	D. HORCHLER	01/10/92			
appd	D. HORCHLER	01/10/92			
sheet index	revision sheet				type
					Product Customer Drawing

product family		CONAN
title		CONAN™ CONNECTOR ASSEMBLY
dwg no	sheet	2 of 7
91900		
type	Product Customer Drawing	

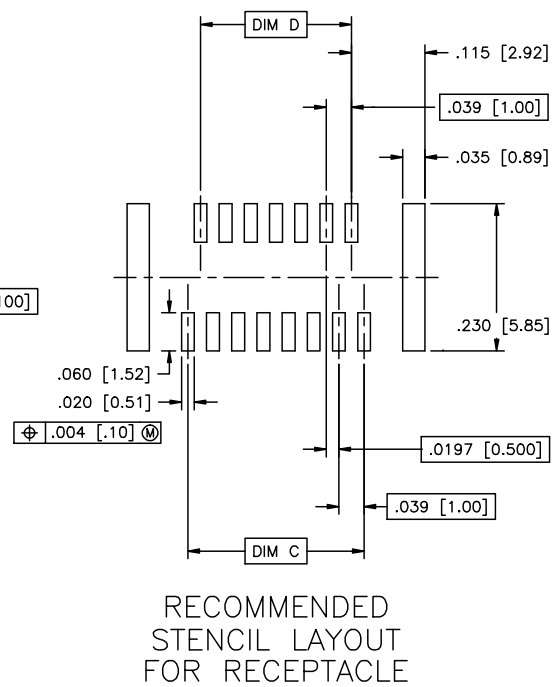
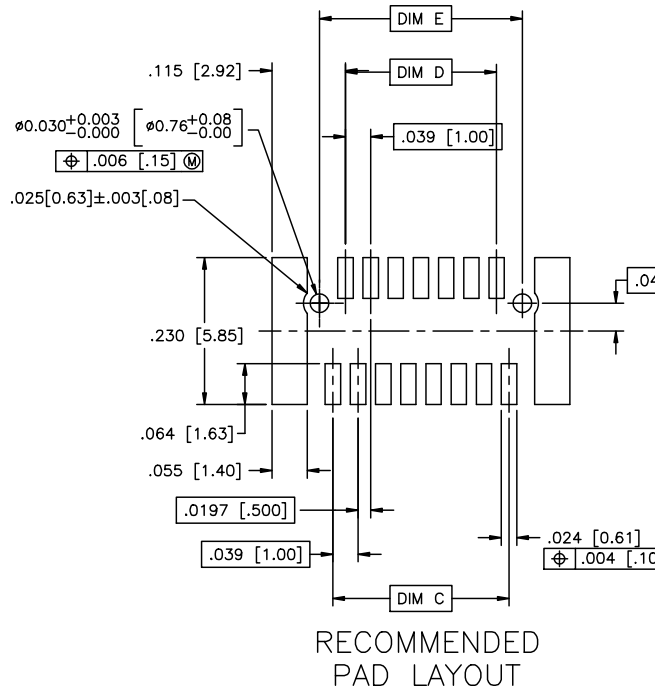
PDM: Rev:AF

STATUS: Released

Printed: Oct 12, 2010

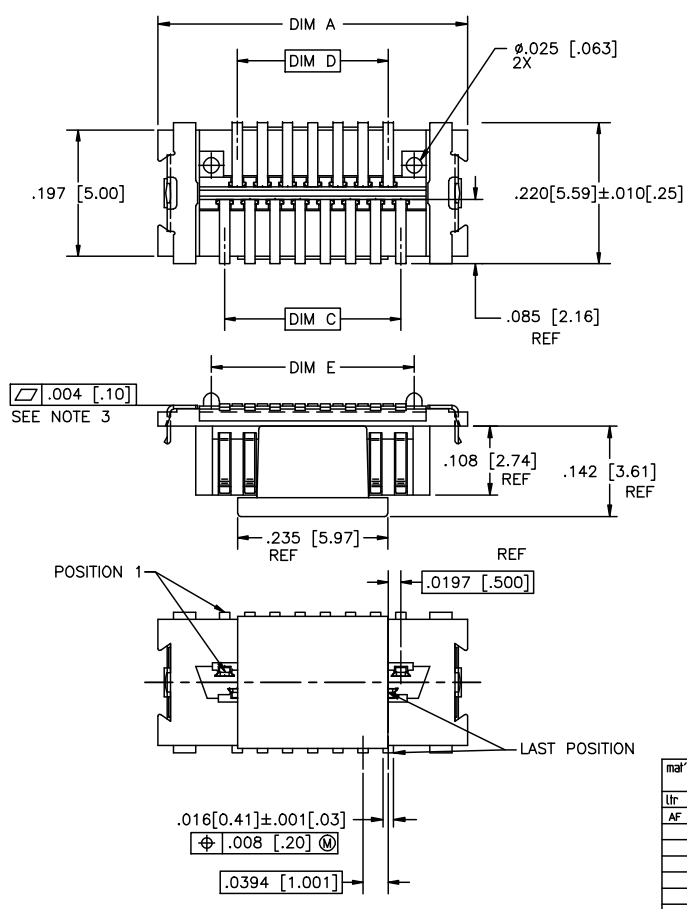


PRODUCT NUMBER
SEE TABLE

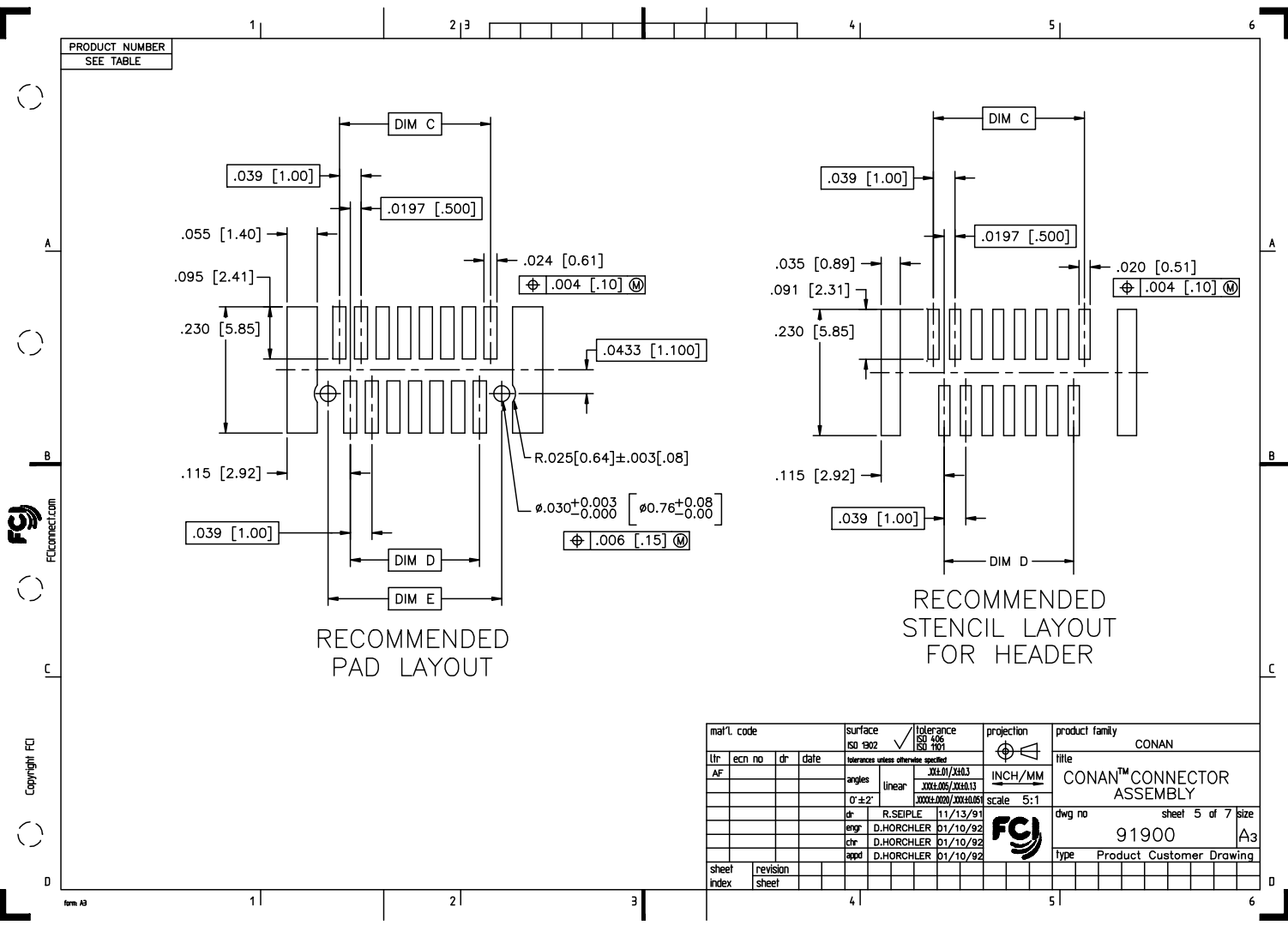


mal't. code		surface	tolerance	projection	product family
itr		ISO 1902	ISO 1436 ISO 1001	ISO 1001	CONAN
ecm no		Intolerances unless otherwise specified			title
dr		angles	linear	INCH/MM	CONAN™ CONNECTOR ASSEMBLY
date		0'±2'	XXXL01/XXL03 XXXL05/XXL13 XXXL09/XXXL05	scale 5:1	dwg no
R.SEIPLE 11/13/91		FCJ			sheet 3 of 7
engr D.HORCHLER 01/10/92					size A3
chr D.HORCHLER 01/10/92					type Product Customer Drawing
app D.HORCHLER 01/10/92					
sheet index	revision sheet				

PRODUCT NUMBER
SEE TABLE



mal'l. code		surface	tolerance	projection	product family
ISO 1902		ISO 148	ISO 1001		CONAN
Intolerances unless otherwise specified		linear		INCH/MM	title
angles		XX±.01/XX±0.3		scale 5:1	CONAN™ CONNECTOR ASSEMBLY
0°±2'		XXX±.005/XXX±0.13			dwg no
		XXXX±.000/XXXX±0.05			91900
					sheet 4 of 7
					size A3
					type Product Customer Drawing
sheet	revision	dr	eng	chr	appd
index	sheet	R. SEIPLE 11/13/91	D. HORCHLER 01/10/92	D. HORCHLER 01/10/92	D. HORCHLER 01/10/92



PRODUCT NUMBER
SEE TABLE



Copyright FCI

mal't. code		surface		tolerance		projection		product family	
ISO 1902		ISO 1406		ISO 1001		1st angle		CONAN	
ecn no		dr		date		INCH/MM		title	
AF						5X1.01/XX1.03		CONAN™ CONNECTOR ASSEMBLY	
						XXX1.05/XX1.13		dwg no	
						XXX1.00/XXX1.06		91900	
						scale 5:1		sheet 5 of 7	
						FCI		size A3	
								type Product Customer Drawing	
sheet index		revision sheet							

PRODUCT NUMBER	POS	DIM "A"	DIM "C"	DIM "D"	DIM "E"
919TC-WXY09					
↑ -WXY09LF	9	.366 [9.30]	.157 [4.00]	.118 [3.00]	.1990 [5.055]
-WXY11	11	.406 [10.30]	.197 [5.00]	.157 [4.00]	.2380 [6.045]
-WXY15	15	.484 [12.30]	.276 [7.00]	.236 [6.00]	.3170 [8.052]
-WXY21	21	.602 [15.30]	.394 [10.00]	.354 [9.00]	.4350 [11.049]
-WXY25	25	.681 [17.30]	.472 [12.00]	.433 [11.00]	.5140 [13.056]
-WXY31	31	.800 [20.30]	.591 [15.00]	.551 [14.00]	.6320 [16.053]
-WXY41	41	.996 [25.30]	.787 [20.00]	.748 [19.00]	.8290 [21.057]
-WXY51	51	1.193 [30.30]	.984 [25.00]	.945 [24.00]	1.0260 [26.060]
-WXY69	69	1.547 [39.30]	1.339 [34.00]	1.299 [33.00]	1.3800 [35.052]
↓ -WXY69LF					

NOTES:

- MATERIALS:
RECEPTACLE HOUSING - LCP, UL-94V-0. COLOR: NATURAL.
RECEPTACLE TERMINALS - COPPER ALLOY, PLATED WITH 15u"/.38u GXT™ IN CONTACT AREA AND 100u"/2.54u Sn ON SOLDER LEGS WITH AN OVERALL 50u"/1.27u Ni UNDERPLATE.
HEADER HOUSING - LCP, UL-94V-0. COLOR: NATURAL.
HEADER TERMINALS - COPPER ALLOY, PLATED WITH 15u"/.38u GXT™ IN CONTACT AREA AND 100u"/2.54u Sn ON SOLDER LEGS WITH AN OVERALL 50u"/1.27u Ni UNDERPLATE.
RETENTION DEVICE - BRASS, PLATED WITH 100u"/2.54u Sn OVER NICKEL.
- REFERENCE GS-12-006 FOR PRODUCT PERFORMANCE DATA.
- SEE TA-774 FOR FURTHER DESCRIPTION OF HOW THIS DIMENSION IS APPLIED.
- PICK AND PLACE CAP OR TAPE IS ONLY AVAILABLE WITH OPTION 3 PACKAGING. (PSA ADHESIVE SEALED). ALSO, PSA PACKAGING REQUIRES A PICK AND PLACE CAP.
- RECOMMENDED SOLDER PASTE THICKNESS IS .006 TO .008 INCHES THICK.
- THE TOE HEIGHT OF THE SOLDER TAIL SHALL BE MEASURED FROM THE LOWEST POINT OF THE .004 CO-PLANARITY GRAVITY PLANE. THIS MEASUREMENT IS NOT TO EXCEED A WINDOW OF .000 TO .007 INCHES.
- THREE SLOTS MAY BE LOCATED AT EITHER END OF HOUSING.
- 5.50mm MATED HEIGHT IS ONLY AVAILABLE IN 9, 15 AND 31 POS.
- 7.50mm MATED HEIGHT IS ONLY AVAILABLE IN 9 POS.
- APPLIES TO 91921-3XYZZ AND 91931-3XYZZ OPTIONS ONLY.
- THE HOUSING WILL WITHSTAND EXPOSURE TO 260°C PEAK TEMPERATURE FOR 30 SECONDS IN A CONVECTION INFRA RED OR VAPOR PHASE REFLOW OVEN. SEE APPLICATION/PROCEDURES IF THEY ARE AVAILABLE.
- PRODUCT WITH "LF" AT THE END MEETS EUROPEAN UNION DIRECTIVES AND OTHER COUNTRY REGULATION AS DESCRIBED IN GS-22-008.

mal'l. code	surface ISO 1902	tolerance ISO 406 ISO 1001	projection	product family CONAN
lfr	ecn no	dr	date	tolerances unless otherwise specified
AF				angles linear XXX±.01/XXX±.03 XXX±.005/XXX±.013 0'±2' XXX±.000/XXX±.005
		dr	R.SEIPLE 11/13/91	INCH/MM
		eng	D.HORCHLER 01/10/92	scale 5:1
		chr	D.HORCHLER 01/10/92	FCJ
		appd	D.HORCHLER 01/10/92	title CONAN™ CONNECTOR ASSEMBLY
sheet	revision			dwg no 91900
index	sheet			sheet 6 of 7 size A3
				type Product Customer Drawing

PRODUCT NUMBER
SEE TABLE

CONAN ASSEMBLY PART NUMBER

919 T C - W X Y ZZ LF

LEAD FREE OPTION
SEE NOTE 12

TYPE	T
HEADER WITH NO PEGS	0
HEADER WITH PEGS	1
RECEPTACLE WITH NO PEGS	2
RECEPTACLE WITH PEGS	3

PICK AND PLACE CAP OR TAPE (NOTE 4)	C
WITHOUT CAP OR TAPE	0
WITH CAP	1
WITH TAPE (RECEPTACLE ONLY)	2

PACKAGING	W
TUBE	2
PRESSURE SEALED TAPE & REEL	3

NOTE 4

Y	HEADER HEIGHT	RECEPTACLE HEIGHT	MATED HEIGHT	+0.010 -0.008 [+.25] [-.20]
1	.034 [.86]	.129 [3.28]	.163 [4.15]	
2	.048 [1.23]		.177 [4.50]	
3	.068 [1.73]		.197 [5.00]	
4	.107 [2.72]		.236 [6.00]	
5	.1465 [3.721]		.276 [7.00]	
6	.088 [2.23]		.216 [5.50]	
7	.1665 [4.229]		.296 [7.52]	

SEE Y=1
FOR ALL
RECEPTACLES

* NOTE 8
** NOTE 9

X	PLATING
1	15u"/.38u GXT™
2	30u"/.76u GXT™

ZZ	NUMBER OF POSITIONS
09	9
11	11
15	15
21	21
25	25
31	31
41	41
51	51
69	69

EXAMPLE: 91921-31125LF
IS A CONAN RECEPTACLE ASSEMBLY,
HAVING NO PEGS AND WITH A PICK AND PLACE CAP.
IT ALSO HAS GXT™ PLATING, IS .13 [3.2] HIGH AND 25
POSITIONS AND IS PACKAGED IN PRESSURE SEALED TAPE,
REEL AND LEAD FREE.

mal'l. code	surface ISO 902	tolerance ISO 406 ISO 1001	projection	product family CONAN
lfr	ecn no	dr	date	title CONAN™ CONNECTOR ASSEMBLY
AF				dwg no 91900
	angles	linear	INCH/MM	sheet 7 of 7
	0'±2'	XXX±.01/XXX±.03 XXX±.005/XXX±.013 XXX±.002/XXX±.005	scale 5:1	size A3
	dr	R.SEIPLE	11/13/91	type Product Customer Drawing
	eng	D.HORCHLER	01/10/92	
	chr	D.HORCHLER	01/10/92	
	appd	D.HORCHLER	01/10/92	
sheet index	revision sheet			