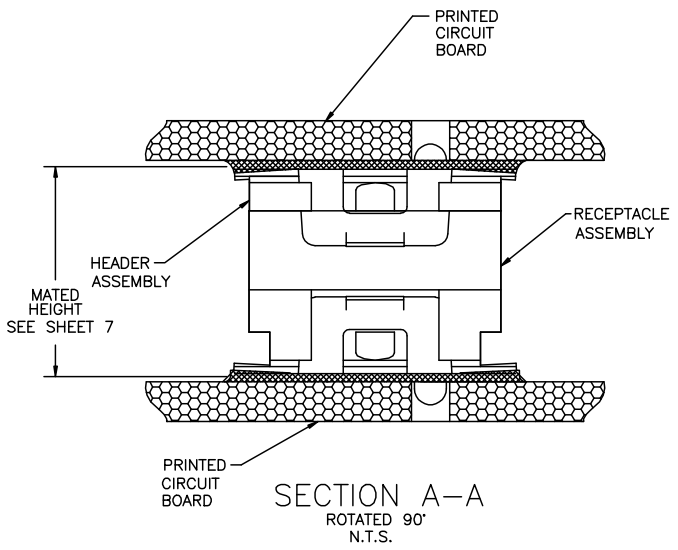
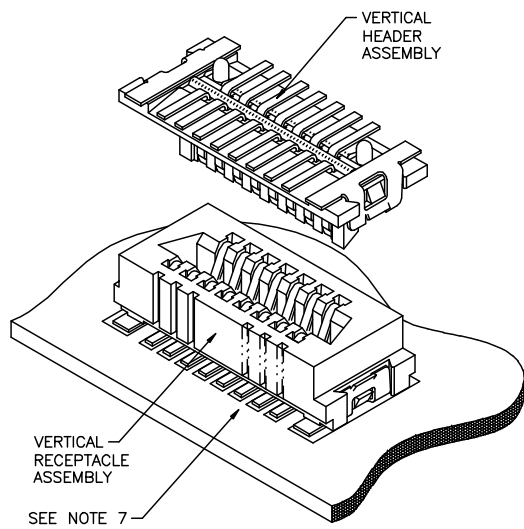
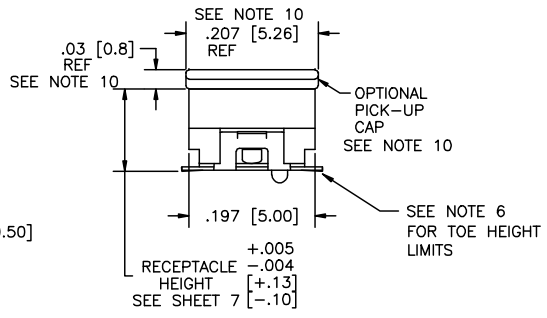
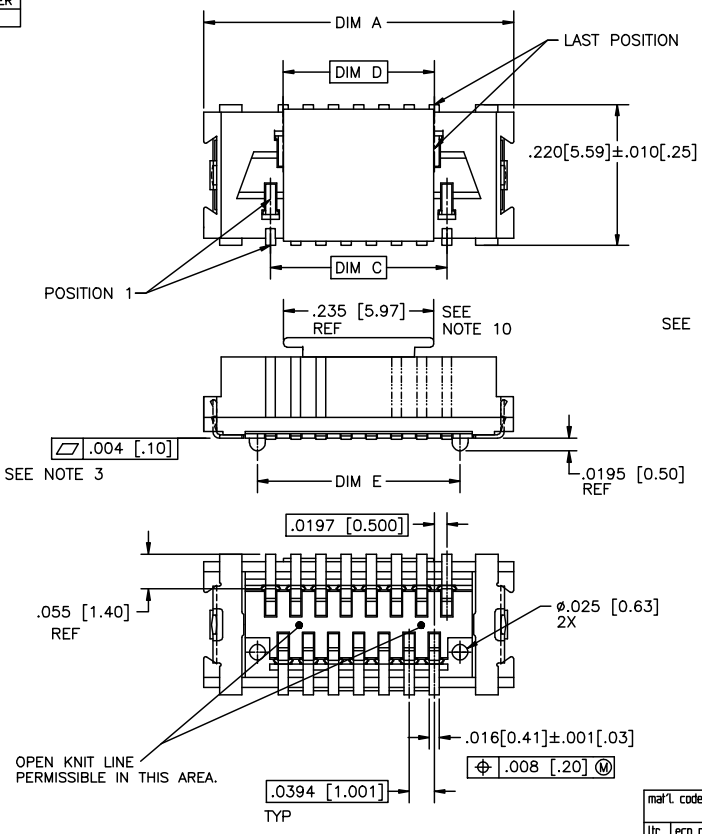


PRODUCT NUMBER  
SEE TABLE



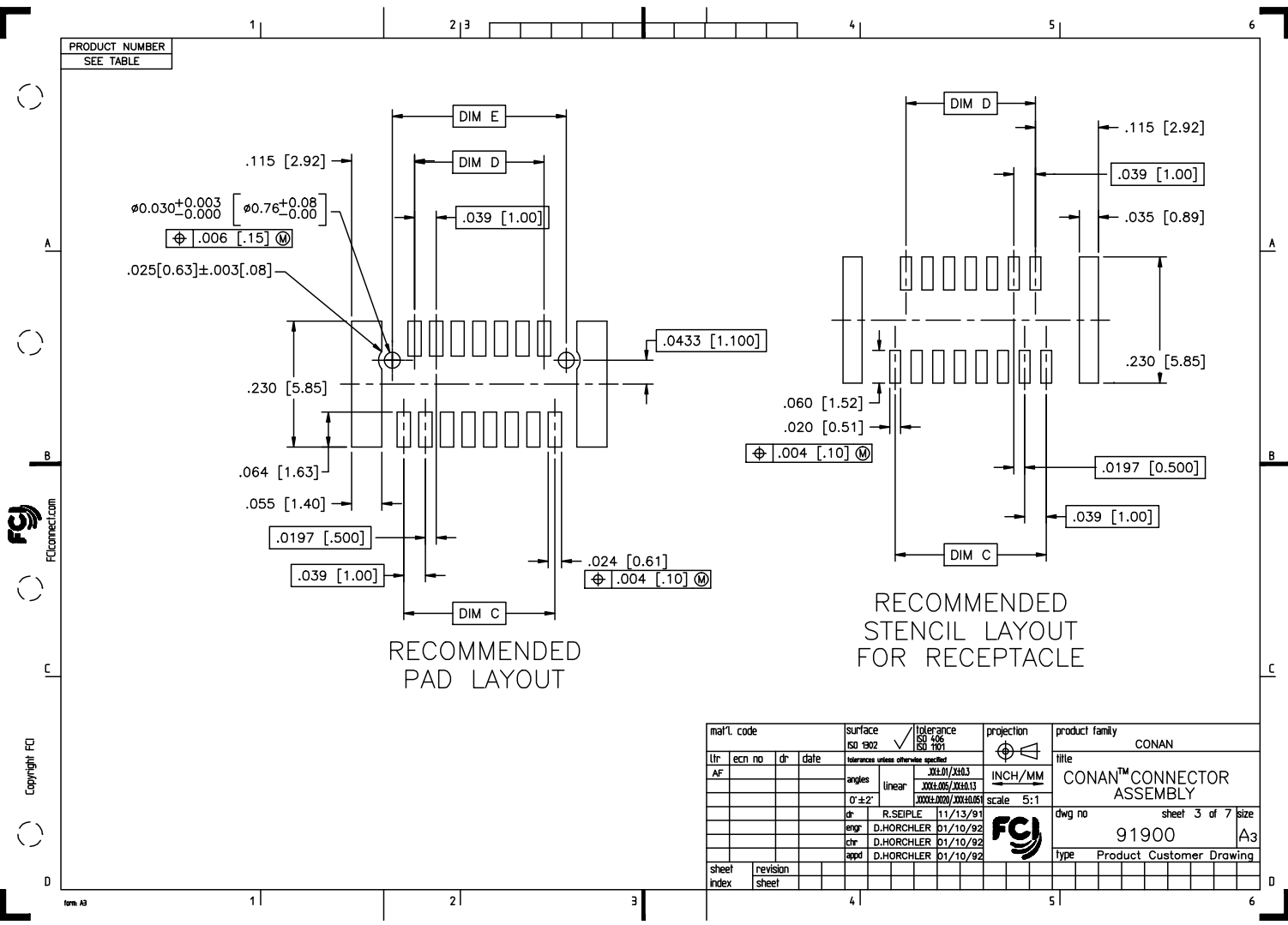
mal'l. code		surface	tolerance	projection	product family
		ISO 1902	ISO 1436 ISO 1101		CONAN
itr		tolerances unless otherwise specified		title	
ecn no	dr	date	angles	linear	INCH/MM
Y V03-1347	AA	12/20/01	XXL01/XXL03		CONAN™ CONNECTOR ASSEMBLY
AA M04-0190	MHT	9/24/04	XXXL005/XXXL013	scale 5:1	dwg no 91900 sheet 1 of 7 size A3
AB M05-0110	MHT	5/26/05	0'±2'		type Product Customer Drawing
AC M06-0232	AGS	06/12/08	dr	R.SEIPLE	11/13/91
AD M06-0373	MHT	9/26/06	eng	D.HORCHLER	01/10/92
AE M08-0012	AGS	1/11/08	chr	D.HORCHLER	01/10/92
AF M08-0287	MHT	10/02/08	appd	D.HORCHLER	01/10/92
sheet	revision	AF	AF	AF	AF
index	sheet	1	2	3	4

PRODUCT NUMBER  
SEE TABLE



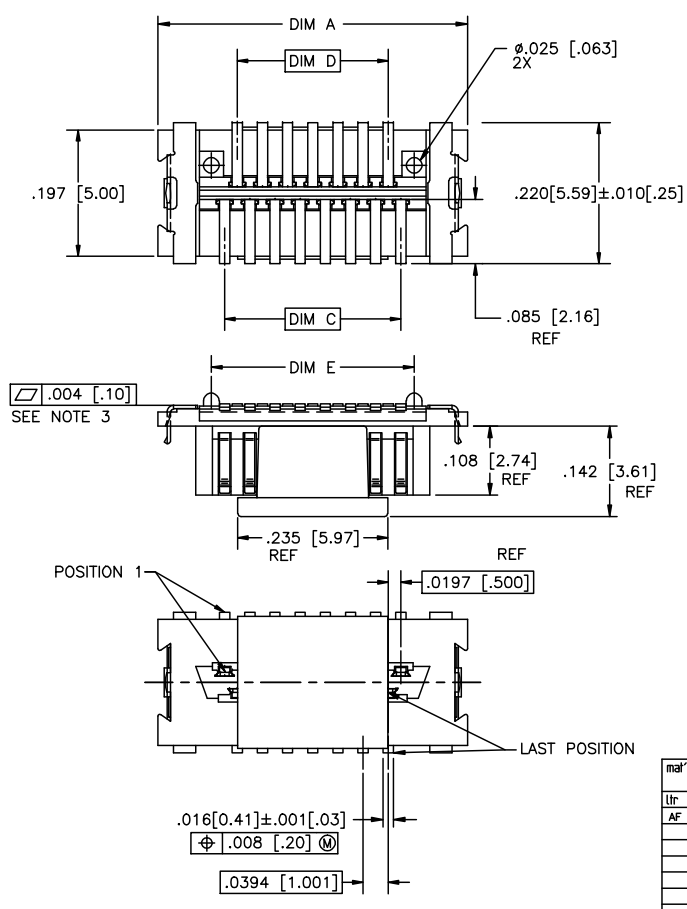
Copyright FCI

mal't. code		surface	tolerance	projection	product family
ISO 902		ISO 406	ISO 1001	CONAN	CONAN
Intolerances unless otherwise specified		linear		INCH/MM	title
angles		.001/01/010.03		5:1	CONAN™ CONNECTOR ASSEMBLY
0° ± 2°		.0001/005/0010.13		scale	dwg no
dr		.0001/0000/00010.05		5:1	91900
engr		R.SEIPLE 11/13/91		sheet 2 of 7	size
chr		D.HORCHLER 01/10/92		A3	
appd		D.HORCHLER 01/10/92		type	Product Customer Drawing
sheet index	revision sheet				

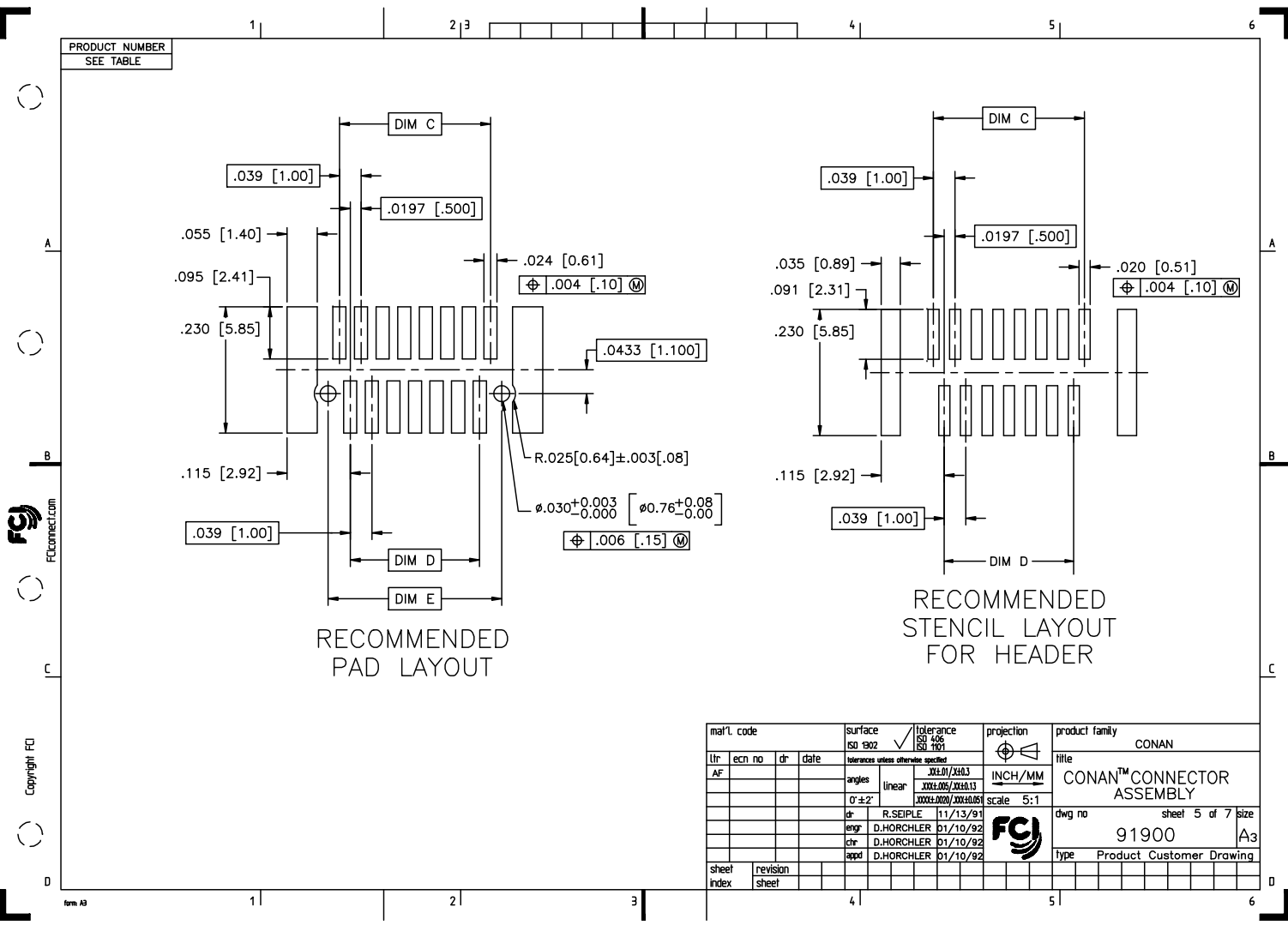


mal't. code		surface		tolerance		projection		product family	
		ISO 1902		ISO 1436 ISO 1001		1st angle		CONAN	
itr		ecm no		date		INCH/MM		title	
AF						5:1		CONAN™ CONNECTOR ASSEMBLY	
angles		linear		XXL01/XX03 XXL05/XX013 XXX±000/XXX0.05		scale		dwg no	
0°±2'						5:1		sheet 3 of 7	
dr		eng		chr		app		size	
R.SEIPLE		D.HORCHLER		D.HORCHLER		D.HORCHLER		A3	
11/13/91		01/10/92		01/10/92		01/10/92		91900	
type		Product		Customer		Drawing			
sheet index		revision sheet							

PRODUCT NUMBER  
SEE TABLE



mal'l. code		surface	tolerance	projection	product family
ISO 1902		ISO 148	ISO 1001		CONAN
Intolerances unless otherwise specified		angles linear		INCH/MM	title
AF		0° ± 2°		scale 5:1	CONAN™ CONNECTOR ASSEMBLY
dr	R. SEIPLE	11/13/91	FCJ		dwg no
eng	D. HORCHLER	01/10/92	sheet 4 of 7		size
chr	D. HORCHLER	01/10/92	91900		A3
appd	D. HORCHLER	01/10/92	type		Product Customer Drawing
sheet index	revision sheet				



Copyright FCI

mal't. code		surface		tolerance		projection		product family	
ISO 1902		ISO 1406		ISO 1001		1st angle		CONAN	
itr		ecn no		date		INCH/MM		title	
AF						5X1.01/XX1.03		CONAN™ CONNECTOR ASSEMBLY	
						XXX1.05/XX1.13		dwg no	
						XXX1.00/XXX1.06		91900	
						scale 5:1		sheet 5 of 7	
						FCI		size A3	
								type Product Customer Drawing	
sheet index		revision sheet							



PRODUCT NUMBER  
SEE TABLE

CONAN ASSEMBLY PART NUMBER

919 T C - W X Y ZZ LF

LEAD FREE OPTION  
SEE NOTE 12

TYPE	T
HEADER WITH NO PEGS	0
HEADER WITH PEGS	1
RECEPTACLE WITH NO PEGS	2
RECEPTACLE WITH PEGS	3

PICK AND PLACE CAP OR TAPE (NOTE 4)	C
WITHOUT CAP OR TAPE	0
WITH CAP	1
WITH TAPE (RECEPTACLE ONLY)	2

PACKAGING	W
TUBE	2
PRESSURE SEALED TAPE & REEL	3

NOTE 4

Y	HEADER HEIGHT	RECEPTACLE HEIGHT	MATED HEIGHT	+0.010 -0.008 [+.25] [-.20]
1	.034 [.86]	.129 [3.28]	.163 [4.15]	
2	.048 [1.23]		.177 [4.50]	
3	.068 [1.73]		.197 [5.00]	
4	.107 [2.72]		.236 [6.00]	
5	.1465 [3.721]		.276 [7.00]	
6	.088 [2.23]		.216 [5.50]	
7	.1665 [4.229]		.296 [7.52]	

SEE Y=1  
FOR ALL  
RECEPTACLES

\* NOTE 8  
\*\* NOTE 9

X	PLATING
1	15u"/.38u GXT™
2	30u"/.76u GXT™

ZZ	NUMBER OF POSITIONS
09	9
11	11
15	15
21	21
25	25
31	31
41	41
51	51
69	69

EXAMPLE: 91921-31125LF  
IS A CONAN RECEPTACLE ASSEMBLY,  
HAVING NO PEGS AND WITH A PICK AND PLACE CAP.  
IT ALSO HAS GXT™ PLATING, IS .13 [3.2] HIGH AND 25  
POSITIONS AND IS PACKAGED IN PRESSURE SEALED TAPE,  
REEL AND LEAD FREE.

mal'l. code	surface ISO 902	tolerance ISO 406 ISO 1001	projection	product family CONAN
lfr	ecn no	dr	date	title CONAN™ CONNECTOR ASSEMBLY
AF				dwg no 91900
	angles	linear	INCH/MM	sheet 7 of 7
	0'±2'	XXX±.01/XXX±.03 XXX±.005/XXX±.013 XXX±.002/XXX±.005	scale 5:1	size A3
	dr	R.SEIPLE	11/13/91	type Product Customer Drawing
	eng	D.HORCHLER	01/10/92	
	chr	D.HORCHLER	01/10/92	
	appd	D.HORCHLER	01/10/92	
sheet index	revision sheet			