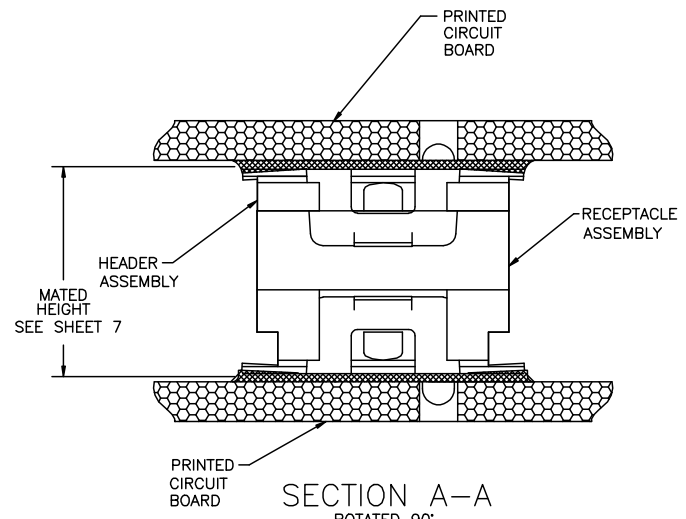
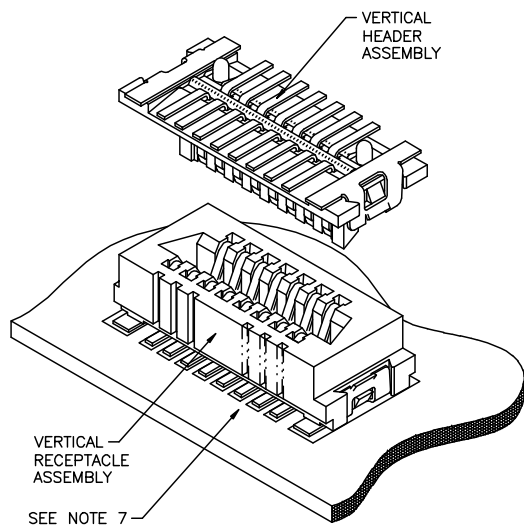
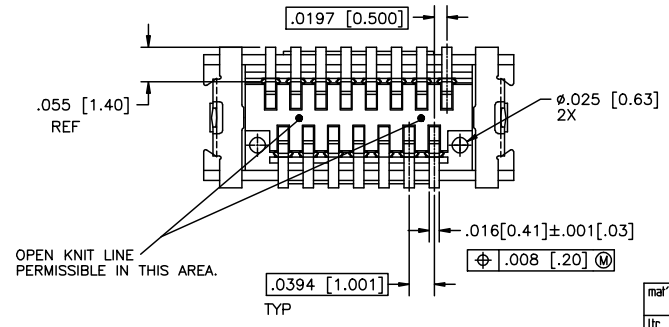
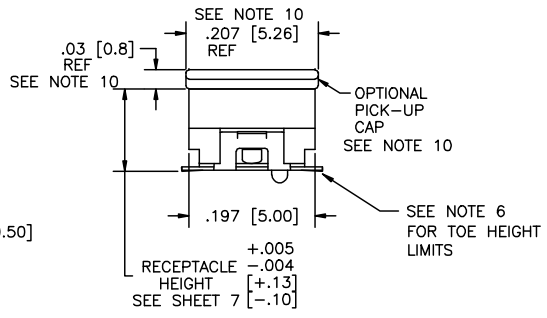
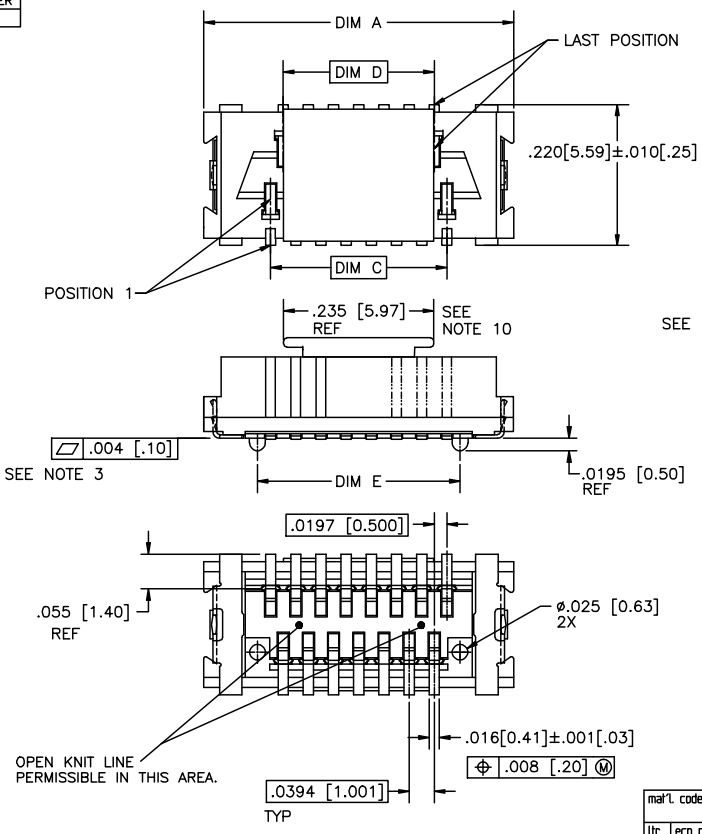


PRODUCT NUMBER  
SEE TABLE



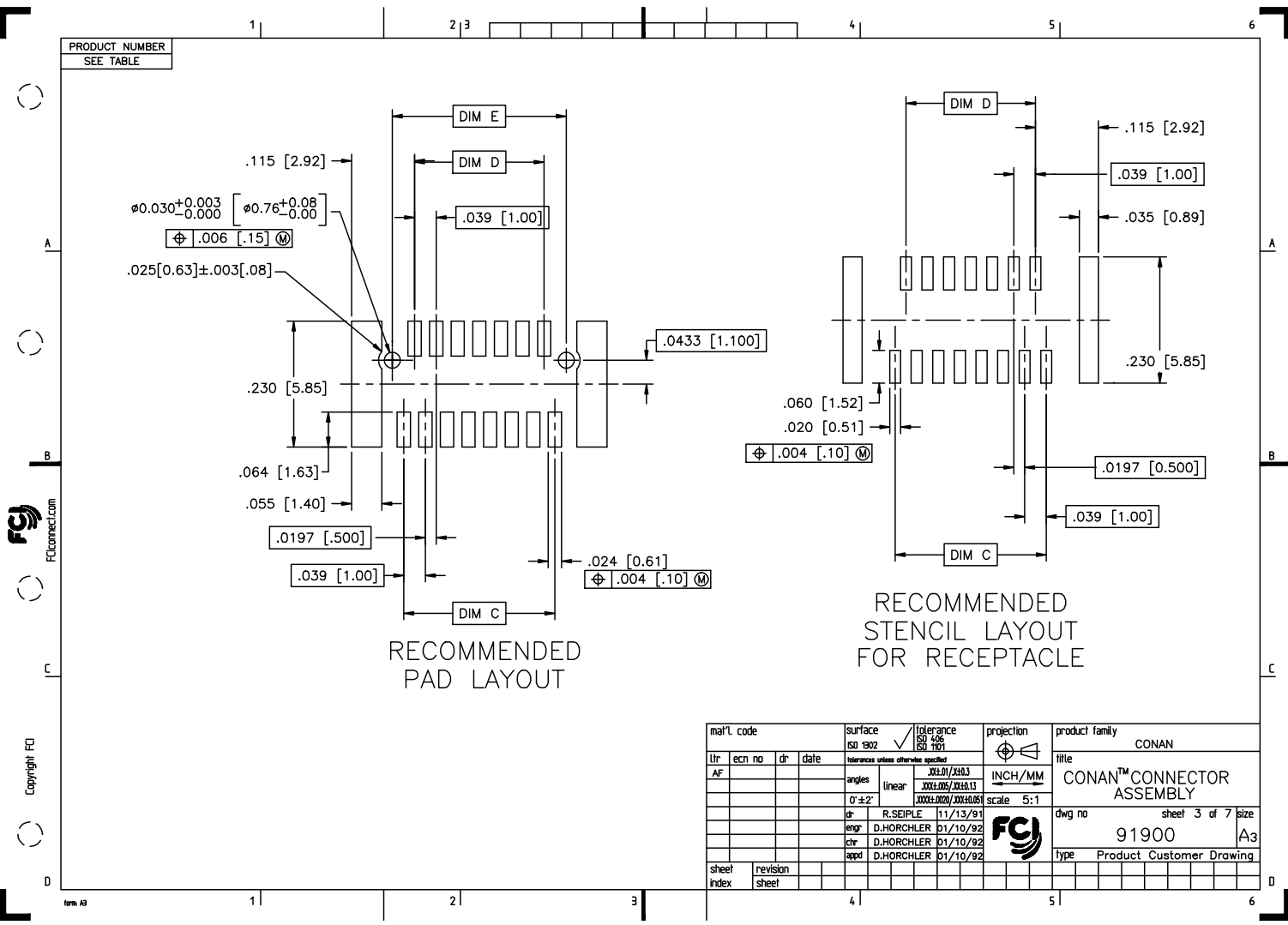
mal'l. code		surface	tolerance	projection	product family	
		ISO 1902	ISO 1436 ISO 1101		CONAN	
itr		tolerances unless otherwise specified		INCH/MM	title	
ecn no	dr	angles	linear			CONAN™ CONNECTOR ASSEMBLY
Y	V03-1347	AA	12/20/01	XXL01/XXL03	dwg no	
AA	M04-0190	MHT	9/24/04	XXXL005/XXXL013		91900
AB	M05-0110	MHT	5/26/05	0'±2'	scale	5:1
AC	M06-0232	AGS	06/12/08	dr	R.SEIPLE	11/13/91
AD	M06-0373	MHT	9/26/06	engr	D.HORCHLER	01/10/92
AE	M08-0012	AGS	1/11/08	chr	D.HORCHLER	01/10/92
AF	M08-0287	MHT	10/02/08	appd	D.HORCHLER	01/10/92
sheet	revision	AF	AF	AF	AF	AF
index	sheet	1	2	3	4	5

PRODUCT NUMBER  
SEE TABLE



mal'l. code		surface	tolerance	projection	product family
		ISO 1902	ISO 406 ISO 1001	1st angle	CONAN
itr		tolerances unless otherwise specified			title
ecn no	dr	date	angles	linear	CONAN™ CONNECTOR ASSEMBLY
AF			0°±2'	XX±.01/XX±.03 XXX±.005/XXX±.013 XXXX±.000/XXXX±.051	dwg no
				INCH/MM	91900
				scale 5:1	sheet 2 of 7
					size A3
					type Product Customer Drawing
sheet index	revision sheet	dr	engr	chr	appd
		R. SEIPLE 11/13/91	D. HORCHLER 01/10/92	D. HORCHLER 01/10/92	D. HORCHLER 01/10/92

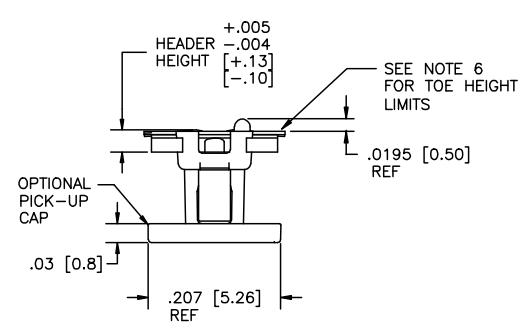
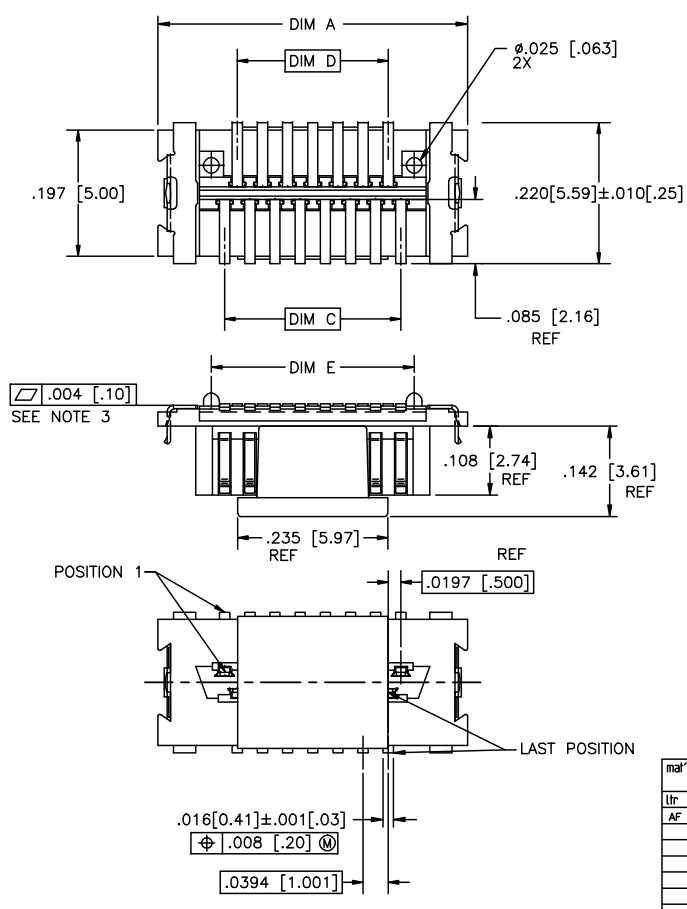
Copyright FCJ  
 FCJconnect.com



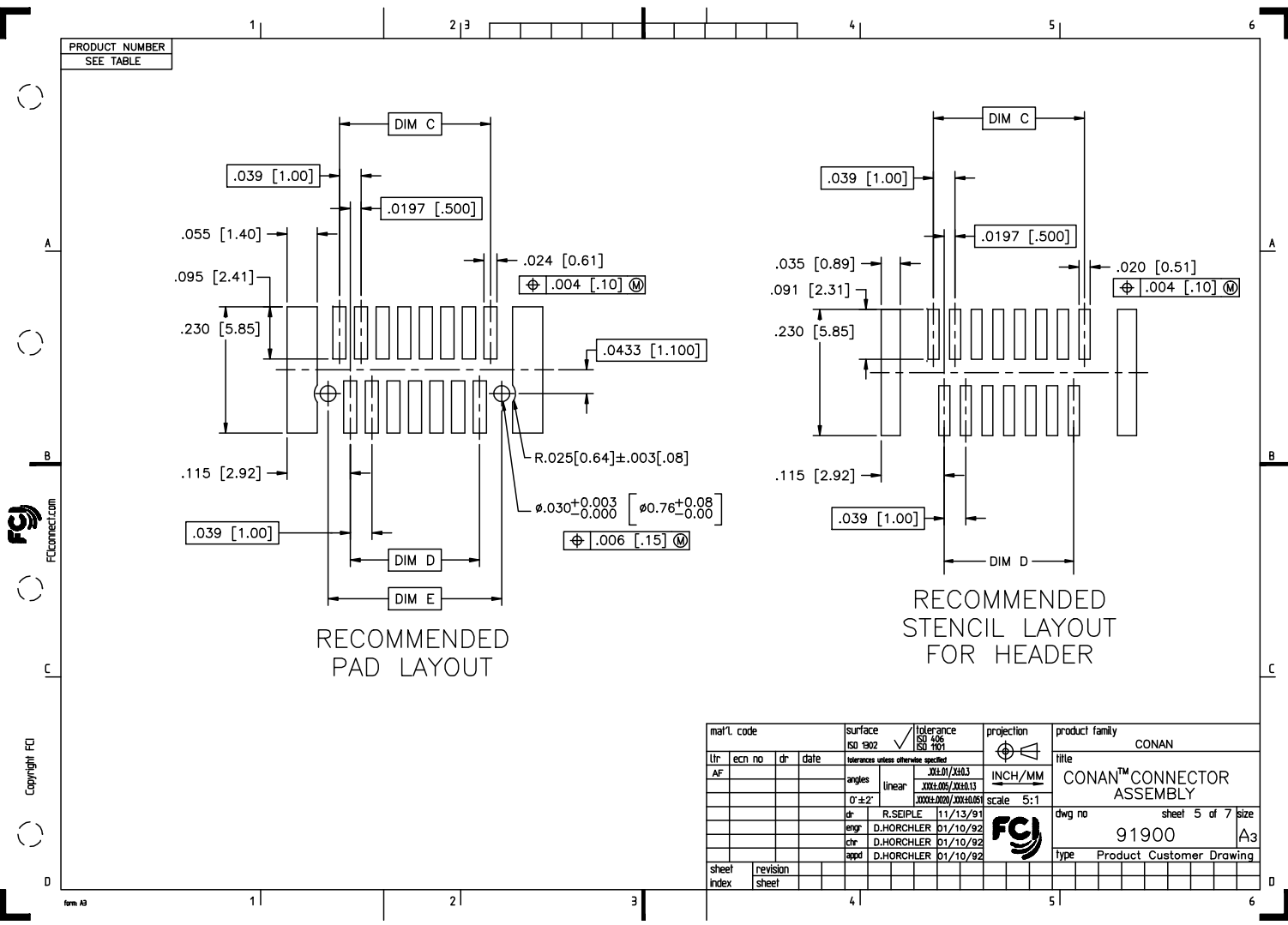
Copyright FCI

mal't. code		surface	tolerance	projection	product family
ISO 1902		ISO 143	ISO 1001	ISO 1001	CONAN
ltr	ecm no	dr	date	title	
AF				CONAN™ CONNECTOR ASSEMBLY	
angles		linear	linear	INCH/MM	scale
0°±2'		XXX±.01/XXX±.03	XXX±.005/XXX±.013	INCH/MM	5:1
dr	R.SEIPLE	11/13/91		dwg no	
eng	D.HORCHLER	01/10/92		sheet 3 of 7	
chr	D.HORCHLER	01/10/92		size	
app	D.HORCHLER	01/10/92		A3	
sheet	revision			type	
index	sheet			Product Customer Drawing	

PRODUCT NUMBER  
SEE TABLE



mal'l. code		surface		tolerance		projection		product family	
ISO 1902		ISO 1436		ISO 1001		INCH/MM		CONAN	
itr		ecn no		date		angles		title	
AF						linear		CONAN™ CONNECTOR ASSEMBLY	
						0° ± 2°		dwg no	
						scale 5:1		sheet 4 of 7	
						R.SEIPLE 11/13/91		size	
						engr D.HORCHLER 01/10/92		A3	
						chr D.HORCHLER 01/10/92		type	
						appd D.HORCHLER 01/10/92		Product Customer Drawing	
sheet index		revision sheet							



PRODUCT NUMBER  
SEE TABLE



Copyright FCI

mal't. code		surface		tolerance		projection		product family	
ISO 1902		ISO 1496		ISO 1001		1st angle		CONAN	
ecn no		dr		date		INCH/MM		title	
AF						5X1.01/XX1.03		CONAN™ CONNECTOR ASSEMBLY	
						XXX1.05/XX1.13		dwg no	
						XXX1.00/XXX1.06		91900	
						scale 5:1		sheet 5 of 7	
						FCI		size A3	
								type Product Customer Drawing	
sheet index		revision sheet							

PRODUCT NUMBER	POS	DIM "A"	DIM "C"	DIM "D"	DIM "E"
919TC-WXY09					
↑ -WXY09LF	9	.366 [9.30]	.157 [4.00]	.118 [3.00]	.1990 [5.055]
-WXY11	11	.406 [10.30]	.197 [5.00]	.157 [4.00]	.2380 [6.045]
-WXY15	15	.484 [12.30]	.276 [7.00]	.236 [6.00]	.3170 [8.052]
-WXY21	21	.602 [15.30]	.394 [10.00]	.354 [9.00]	.4350 [11.049]
-WXY25	25	.681 [17.30]	.472 [12.00]	.433 [11.00]	.5140 [13.056]
-WXY31	31	.800 [20.30]	.591 [15.00]	.551 [14.00]	.6320 [16.053]
-WXY41	41	.996 [25.30]	.787 [20.00]	.748 [19.00]	.8290 [21.057]
-WXY51	51	1.193 [30.30]	.984 [25.00]	.945 [24.00]	1.0260 [26.060]
-WXY69	69	1.547 [39.30]	1.339 [34.00]	1.299 [33.00]	1.3800 [35.052]
↓ -WXY69LF					

NOTES:

- MATERIALS:  
 RECEPTACLE HOUSING - LCP, UL-94V-0. COLOR: NATURAL.  
 RECEPTACLE TERMINALS - COPPER ALLOY, PLATED WITH 15u"/.38u GXT™ IN CONTACT AREA AND 100u"/2.54u Sn ON SOLDER LEGS WITH AN OVERALL 50u"/1.27u Ni UNDERPLATE.  
 HEADER HOUSING - LCP, UL-94V-0. COLOR: NATURAL.  
 HEADER TERMINALS - COPPER ALLOY, PLATED WITH 15u"/.38u GXT™ IN CONTACT AREA AND 100u"/2.54u Sn ON SOLDER LEGS WITH AN OVERALL 50u"/1.27u Ni UNDERPLATE.  
 RETENTION DEVICE - BRASS, PLATED WITH 100u"/2.54u Sn OVER NICKEL.
- REFERENCE GS-12-006 FOR PRODUCT PERFORMANCE DATA.
- SEE TA-774 FOR FURTHER DESCRIPTION OF HOW THIS DIMENSION IS APPLIED.
- PICK AND PLACE CAP OR TAPE IS ONLY AVAILABLE WITH OPTION 3 PACKAGING. (PSA ADHESIVE SEALED). ALSO, PSA PACKAGING REQUIRES A PICK AND PLACE CAP.
- RECOMMENDED SOLDER PASTE THICKNESS IS .006 TO .008 INCHES THICK.
- THE TOE HEIGHT OF THE SOLDER TAIL SHALL BE MEASURED FROM THE LOWEST POINT OF THE .004 CO-PLANARITY GRAVITY PLANE. THIS MEASUREMENT IS NOT TO EXCEED A WINDOW OF .000 TO .007 INCHES.
- THREE SLOTS MAY BE LOCATED AT EITHER END OF HOUSING.
- 5.50mm MATED HEIGHT IS ONLY AVAILABLE IN 9, 15 AND 31 POS.
- 7.50mm MATED HEIGHT IS ONLY AVAILABLE IN 9 POS.
- APPLIES TO 91921-3XYZZ AND 91931-3XYZZ OPTIONS ONLY.
- THE HOUSING WILL WITHSTAND EXPOSURE TO 260°C PEAK TEMPERATURE FOR 30 SECONDS IN A CONVECTION INFRA RED OR VAPOR PHASE REFLOW OVEN. SEE APPLICATION/PROCEDURES IF THEY ARE AVAILABLE.
- PRODUCT WITH "LF" AT THE END MEETS EUROPEAN UNION DIRECTIVES AND OTHER COUNTRY REGULATION AS DESCRIBED IN GS-22-008.

mal't. code		surface	tolerance	projection	product family
		ISO 1902	ISO 406 ISO 1001	1st angle	CONAN
lfr	ecn no	dr	date	title	
AF				CONAN™ CONNECTOR ASSEMBLY	
		angles	linear	INCH/MM	
				scale 5:1	
		dr	R.SEIPLE 11/13/91	dwg no 91900 sheet 6 of 7 size A3	
		eng	D.HORCHLER 01/10/92	type Product Customer Drawing	
		chr	D.HORCHLER 01/10/92		
		appd	D.HORCHLER 01/10/92		
sheet	revision				
index	sheet				

PRODUCT NUMBER  
SEE TABLE

CONAN ASSEMBLY PART NUMBER

919 T C - W X Y ZZ LF

LEAD FREE OPTION  
SEE NOTE 12

TYPE	T
HEADER WITH NO PEGS	0
HEADER WITH PEGS	1
RECEPTACLE WITH NO PEGS	2
RECEPTACLE WITH PEGS	3

PICK AND PLACE CAP OR TAPE (NOTE 4)	C
WITHOUT CAP OR TAPE	0
WITH CAP	1
WITH TAPE (RECEPTACLE ONLY)	2

PACKAGING	W
TUBE	2
PRESSURE SEALED TAPE & REEL	3

NOTE 4

Y	HEADER HEIGHT	RECEPTACLE HEIGHT	MATED HEIGHT	+0.10 -0.08 [+.25] [-.20]
1	.034 [.86]	.129 [3.28]	.163 [4.15]	
2	.048 [1.23]		.177 [4.50]	
3	.068 [1.73]		.197 [5.00]	
4	.107 [2.72]		.236 [6.00]	
5	.1465 [3.721]		.276 [7.00]	
6	.088 [2.23]		.216 [5.50]	
7	.1665 [4.229]		.296 [7.52]	

SEE Y=1  
FOR ALL  
RECEPTACLES

\* NOTE 8  
\*\* NOTE 9

X	PLATING
1	15u"/.38u GXT™
2	30u"/.76u GXT™

ZZ	NUMBER OF POSITIONS
09	9
11	11
15	15
21	21
25	25
31	31
41	41
51	51
69	69

EXAMPLE: 91921-31125LF  
IS A CONAN RECEPTACLE ASSEMBLY,  
HAVING NO PEGS AND WITH A PICK AND PLACE CAP.  
IT ALSO HAS GXT™ PLATING, IS .13 [3.2] HIGH AND 25  
POSITIONS AND IS PACKAGED IN PRESSURE SEALED TAPE,  
REEL AND LEAD FREE.

mal'l. code	surface ISO 902	tolerance ISO 406 ISO 1001	projection	product family CONAN
lfr	ecn no	dr	date	title CONAN™ CONNECTOR ASSEMBLY
AF				dwg no 91900
	angles	linear	INCH/MM	sheet 7 of 7
	0'±2'	XXX±.01/XXX±.03 XXX±.005/XXX±.013 XXX±.002/XXX±.005	scale 5:1	size A3
	dr	R.SEIPLE	11/13/91	
	eng	D.HORCHLER	01/10/92	
	chr	D.HORCHLER	01/10/92	
	appd	D.HORCHLER	01/10/92	
sheet index	revision sheet			type Product Customer Drawing

PDM: Rev:AF

STATUS: Released

Printed: Oct 12, 2010