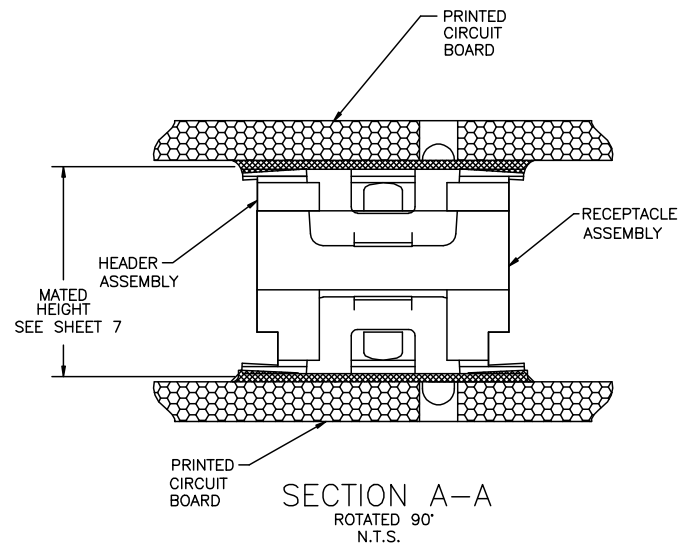
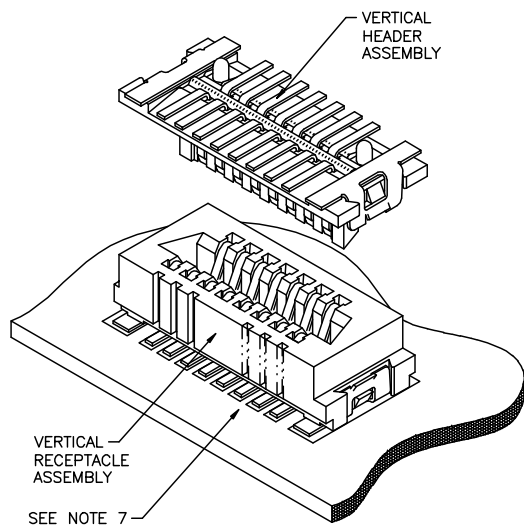
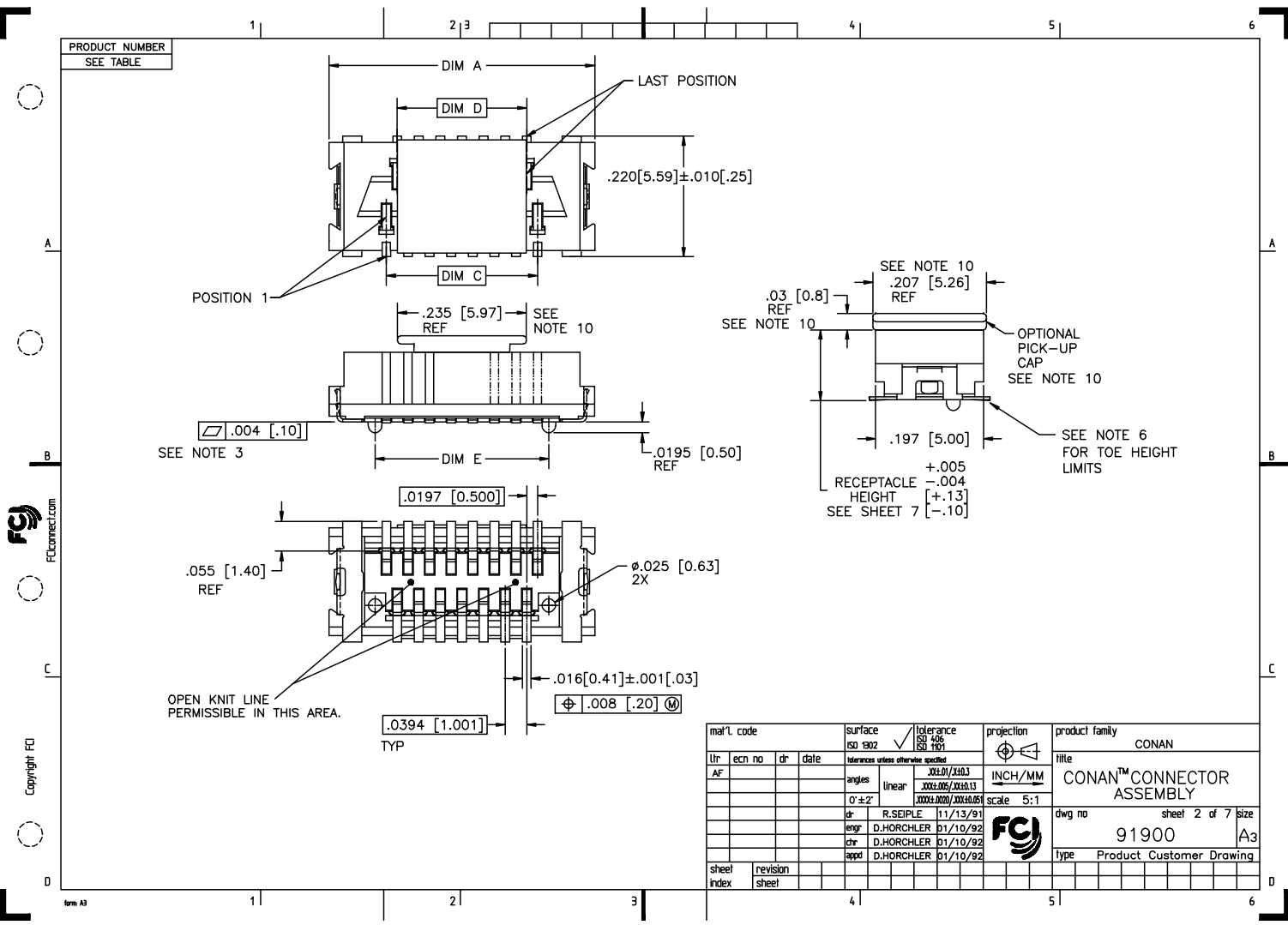


PRODUCT NUMBER  
SEE TABLE

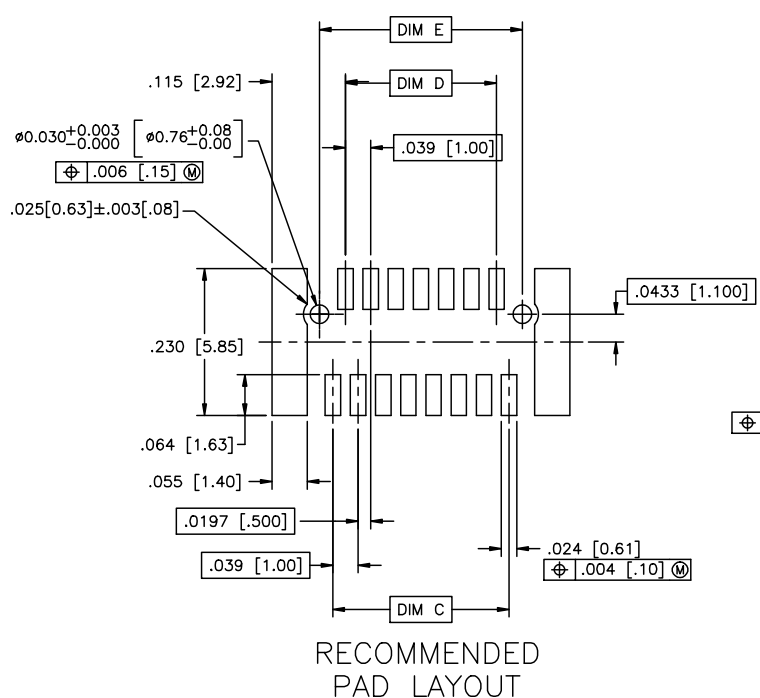


|             |          |                                       |                      |            |                           |
|-------------|----------|---------------------------------------|----------------------|------------|---------------------------|
| mal'l. code |          | surface                               | tolerance            | projection | product family            |
|             |          | ISO 1902                              | ISO 1436<br>ISO 1101 |            | CONAN                     |
| itr         |          | tolerances unless otherwise specified |                      | title      |                           |
| ecn no      | dr       | date                                  | angles               | linear     | INCH/MM                   |
| Y V03-1347  | AA       | 12/20/01                              | XXXL01/XXXL03        |            | CONAN™ CONNECTOR ASSEMBLY |
| AA M04-0190 | MHT      | 9/24/04                               | XXXL05/XXXL13        |            |                           |
| AB M05-0110 | MHT      | 5/26/05                               | 0'±2'                | scale 5:1  |                           |
| AC M06-0232 | AGS      | 06/12/08                              | dr                   | R.SEIPLE   | 11/13/91                  |
| AD M06-0373 | MHT      | 9/26/06                               | engr                 | D.HORCHLER | 01/10/92                  |
| AE M08-0012 | AGS      | 1/11/08                               | chr                  | D.HORCHLER | 01/10/92                  |
| AF M08-0287 | MHT      | 10/02/08                              | appd                 | D.HORCHLER | 01/10/92                  |
| sheet       | revision | AF                                    | AF                   | AF         | AF                        |
| index       | sheet    | 1                                     | 2                    | 3          | 4                         |
|             |          |                                       |                      |            | 5                         |
|             |          |                                       |                      |            | 6                         |
|             |          |                                       |                      |            | 7                         |
|             |          |                                       |                      |            | 8                         |
|             |          |                                       |                      |            | 9                         |
|             |          |                                       |                      |            | 10                        |
|             |          |                                       |                      |            | 11                        |
|             |          |                                       |                      |            | 12                        |
|             |          |                                       |                      |            | 13                        |
|             |          |                                       |                      |            | 14                        |
|             |          |                                       |                      |            | 15                        |
|             |          |                                       |                      |            | 16                        |
|             |          |                                       |                      |            | 17                        |
|             |          |                                       |                      |            | 18                        |
|             |          |                                       |                      |            | 19                        |
|             |          |                                       |                      |            | 20                        |
|             |          |                                       |                      |            | 21                        |
|             |          |                                       |                      |            | 22                        |
|             |          |                                       |                      |            | 23                        |
|             |          |                                       |                      |            | 24                        |
|             |          |                                       |                      |            | 25                        |
|             |          |                                       |                      |            | 26                        |
|             |          |                                       |                      |            | 27                        |
|             |          |                                       |                      |            | 28                        |
|             |          |                                       |                      |            | 29                        |
|             |          |                                       |                      |            | 30                        |
|             |          |                                       |                      |            | 31                        |
|             |          |                                       |                      |            | 32                        |
|             |          |                                       |                      |            | 33                        |
|             |          |                                       |                      |            | 34                        |
|             |          |                                       |                      |            | 35                        |
|             |          |                                       |                      |            | 36                        |
|             |          |                                       |                      |            | 37                        |
|             |          |                                       |                      |            | 38                        |
|             |          |                                       |                      |            | 39                        |
|             |          |                                       |                      |            | 40                        |
|             |          |                                       |                      |            | 41                        |
|             |          |                                       |                      |            | 42                        |
|             |          |                                       |                      |            | 43                        |
|             |          |                                       |                      |            | 44                        |
|             |          |                                       |                      |            | 45                        |
|             |          |                                       |                      |            | 46                        |
|             |          |                                       |                      |            | 47                        |
|             |          |                                       |                      |            | 48                        |
|             |          |                                       |                      |            | 49                        |
|             |          |                                       |                      |            | 50                        |
|             |          |                                       |                      |            | 51                        |
|             |          |                                       |                      |            | 52                        |
|             |          |                                       |                      |            | 53                        |
|             |          |                                       |                      |            | 54                        |
|             |          |                                       |                      |            | 55                        |
|             |          |                                       |                      |            | 56                        |
|             |          |                                       |                      |            | 57                        |
|             |          |                                       |                      |            | 58                        |
|             |          |                                       |                      |            | 59                        |
|             |          |                                       |                      |            | 60                        |
|             |          |                                       |                      |            | 61                        |
|             |          |                                       |                      |            | 62                        |
|             |          |                                       |                      |            | 63                        |
|             |          |                                       |                      |            | 64                        |
|             |          |                                       |                      |            | 65                        |
|             |          |                                       |                      |            | 66                        |
|             |          |                                       |                      |            | 67                        |
|             |          |                                       |                      |            | 68                        |
|             |          |                                       |                      |            | 69                        |
|             |          |                                       |                      |            | 70                        |
|             |          |                                       |                      |            | 71                        |
|             |          |                                       |                      |            | 72                        |
|             |          |                                       |                      |            | 73                        |
|             |          |                                       |                      |            | 74                        |
|             |          |                                       |                      |            | 75                        |
|             |          |                                       |                      |            | 76                        |
|             |          |                                       |                      |            | 77                        |
|             |          |                                       |                      |            | 78                        |
|             |          |                                       |                      |            | 79                        |
|             |          |                                       |                      |            | 80                        |
|             |          |                                       |                      |            | 81                        |
|             |          |                                       |                      |            | 82                        |
|             |          |                                       |                      |            | 83                        |
|             |          |                                       |                      |            | 84                        |
|             |          |                                       |                      |            | 85                        |
|             |          |                                       |                      |            | 86                        |
|             |          |                                       |                      |            | 87                        |
|             |          |                                       |                      |            | 88                        |
|             |          |                                       |                      |            | 89                        |
|             |          |                                       |                      |            | 90                        |
|             |          |                                       |                      |            | 91                        |
|             |          |                                       |                      |            | 92                        |
|             |          |                                       |                      |            | 93                        |
|             |          |                                       |                      |            | 94                        |
|             |          |                                       |                      |            | 95                        |
|             |          |                                       |                      |            | 96                        |
|             |          |                                       |                      |            | 97                        |
|             |          |                                       |                      |            | 98                        |
|             |          |                                       |                      |            | 99                        |
|             |          |                                       |                      |            | 100                       |

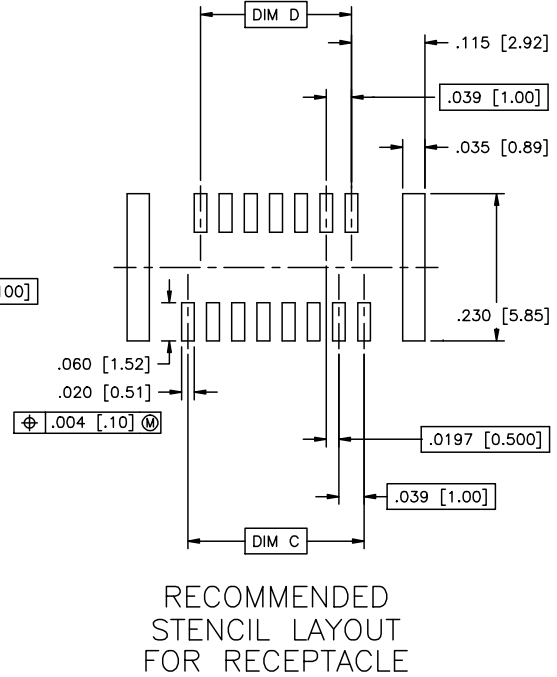


PDM: Rev:AF STATUS:Released Printed: Oct 12, 2010

PRODUCT NUMBER  
SEE TABLE



RECOMMENDED  
PAD LAYOUT



RECOMMENDED  
STENCIL LAYOUT  
FOR RECEPTACLE

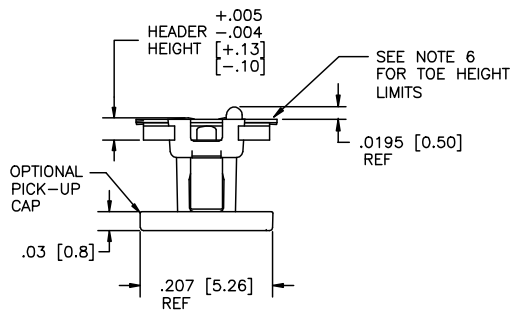
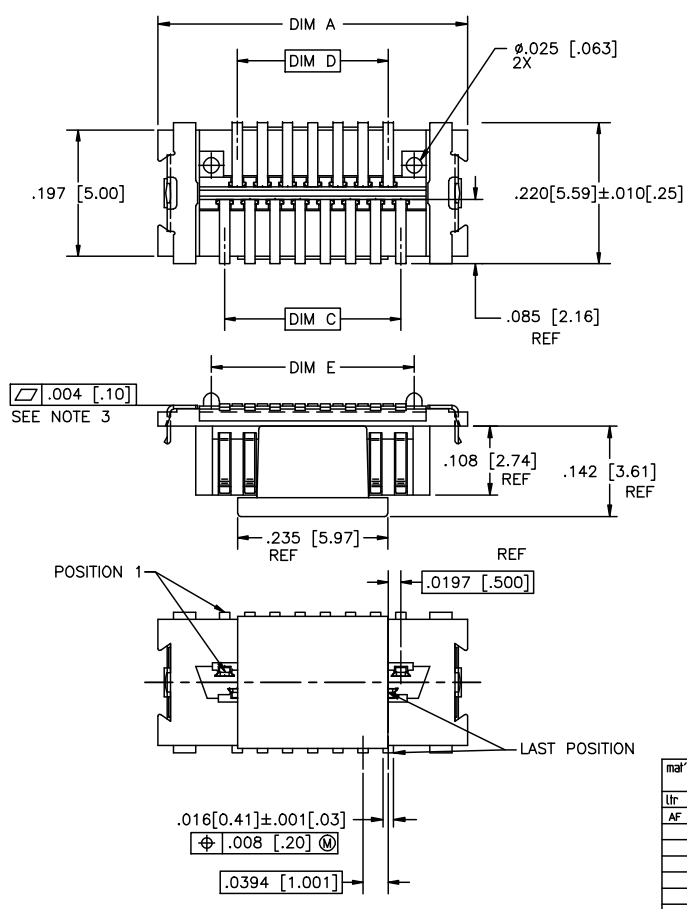
|             |            |                 |                   |                           |                               |
|-------------|------------|-----------------|-------------------|---------------------------|-------------------------------|
| mal't. code |            | surface         | tolerance         | projection                | product family                |
| ISO 1902    |            | ISO 1902        | ISO 1902          | ISO 1902                  | CONAN                         |
| ltr         | ecm no     | dr              | date              | title                     |                               |
| AF          |            |                 |                   | CONAN™ CONNECTOR ASSEMBLY |                               |
| angles      |            | linear          | linear            | INCH/MM                   | dwg no                        |
| 0°±2'       |            | XXX±.01/XXX±.03 | XXX±.005/XXX±.013 | scale 5:1                 | sheet 3 of 7                  |
| dr          | R.SEIPLE   | 11/13/91        |                   | FCJ                       | size                          |
| eng         | D.HORCHLER | 01/10/92        |                   |                           | A3                            |
| chr         | D.HORCHLER | 01/10/92        |                   |                           | 91900                         |
| app         | D.HORCHLER | 01/10/92        |                   |                           | type Product Customer Drawing |
| sheet       | revision   |                 |                   |                           |                               |
| index       | sheet      |                 |                   |                           |                               |

PDM: Rev:AF

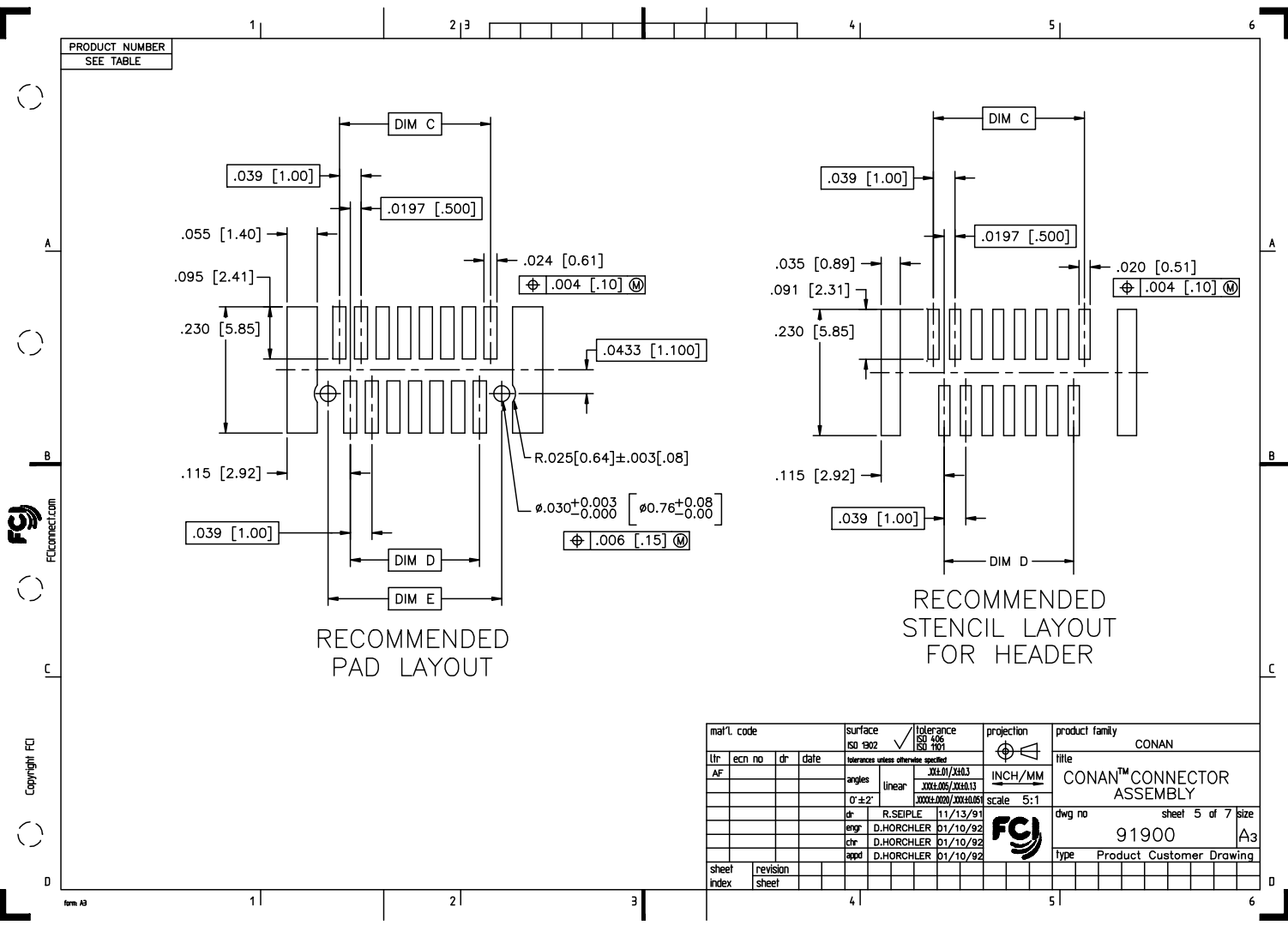
STATUS:Released

Printed: Oct 12, 2010

PRODUCT NUMBER  
SEE TABLE



|   |          |                    |                      |                      |                               |
|---|----------|--------------------|----------------------|----------------------|-------------------------------|
| mal'l. code                             |          | surface            | tolerance            | projection           | product family                |
| ISO 1902                                |          | ISO 148            | ISO 1001             | ISO 1001             | CONAN                         |
| Intolerances unless otherwise specified |          | linear             |                      | INCH/MM              | title                         |
| angles                                  |          | linear             |                      | scale 5:1            | CONAN™ CONNECTOR ASSEMBLY     |
| 0°±2'                                   |          | XXX±.01/XXX±0.3    |                      |                      | dwg no                        |
|   |          | XXX±.005/XXX±0.13  |                      |                      | 91900                         |
|   |          | XXX±.000/XXX±0.05  |                      |                      | sheet 4 of 7                  |
|   |          |                    |                      |                      | size A3                       |
|   |          |                    |                      |                      | type Product Customer Drawing |
| sheet                                   | revision | dr                 | eng                  | chr                  | appd                          |
| index                                   | sheet    | R. SEIPLE 11/13/91 | D. HORCHLER 01/10/92 | D. HORCHLER 01/10/92 | D. HORCHLER 01/10/92          |



|             |    |                                       |           |   |                           |
|-------------|----|---------------------------------------|-----------|---|---------------------------|
| mal't. code |    | surface                               | tolerance | projection  | product family            |
| ISO 1902    |    | ISO 1406                              | ISO 1001  | ISO 1001  | CONAN                     |
| itr         |    | tolerances unless otherwise specified |           |   | title                     |
| ecn no      | dr | date                                  | angles    | linear  | INCH/MM                   |
| AF          |    |                                       | 0°±2'     | XXXL01/XXXL03<br>XXXL05/XXXL13<br>XXXL020/XXXL061 | CONAN™ CONNECTOR ASSEMBLY |
| dr          |    | R.SEIPLE                              | 11/13/91  | scale   | 5:1                       |
| engr        |    | D.HORCHLER                            | 01/10/92  | dwg no  |                           |
| chr         |    | D.HORCHLER                            | 01/10/92  | 91900   |                           |
| appd        |    | D.HORCHLER                            | 01/10/92  | sheet 5 of 7                                      |                           |
| sheet index |    | revision sheet                        |           | size  |                           |
|             |    |                                       |           | A3  |                           |
|             |    |                                       |           | type  |                           |
|             |    |                                       |           | Product Customer Drawing                          |                           |

| PRODUCT NUMBER | POS | DIM "A"       | DIM "C"       | DIM "D"       | DIM "E"         |
|----------------|-----|---------------|---------------|---------------|-----------------|
| 919TC-WXY09    |     |               |               |               |                 |
| ↑ -WXY09LF     | 9   | .366 [9.30]   | .157 [4.00]   | .118 [3.00]   | .1990 [5.055]   |
| -WXY11         | 11  | .406 [10.30]  | .197 [5.00]   | .157 [4.00]   | .2380 [6.045]   |
| -WXY15         | 15  | .484 [12.30]  | .276 [7.00]   | .236 [6.00]   | .3170 [8.052]   |
| -WXY21         | 21  | .602 [15.30]  | .394 [10.00]  | .354 [9.00]   | .4350 [11.049]  |
| -WXY25         | 25  | .681 [17.30]  | .472 [12.00]  | .433 [11.00]  | .5140 [13.056]  |
| -WXY31         | 31  | .800 [20.30]  | .591 [15.00]  | .551 [14.00]  | .6320 [16.053]  |
| -WXY41         | 41  | .996 [25.30]  | .787 [20.00]  | .748 [19.00]  | .8290 [21.057]  |
| -WXY51         | 51  | 1.193 [30.30] | .984 [25.00]  | .945 [24.00]  | 1.0260 [26.060] |
| -WXY69         | 69  | 1.547 [39.30] | 1.339 [34.00] | 1.299 [33.00] | 1.3800 [35.052] |
| ↓ -WXY69LF     |     |               |               |               |                 |

NOTES:

1. MATERIALS:  
 RECEPTACLE HOUSING - LCP, UL-94V-0. COLOR: NATURAL.  
 RECEPTACLE TERMINALS - COPPER ALLOY, PLATED WITH 15u"/.38u GXT™ IN CONTACT AREA AND 100u"/2.54u Sn ON SOLDER LEGS WITH AN OVERALL 50u"/1.27u Ni UNDERPLATE.  
 HEADER HOUSING - LCP, UL-94V-0. COLOR: NATURAL.  
 HEADER TERMINALS - COPPER ALLOY, PLATED WITH 15u"/.38u GXT™ IN CONTACT AREA AND 100u"/2.54u Sn ON SOLDER LEGS WITH AN OVERALL 50u"/1.27u Ni UNDERPLATE.  
 RETENTION DEVICE - BRASS, PLATED WITH 100u"/2.54u Sn OVER NICKEL.
2. REFERENCE GS-12-006 FOR PRODUCT PERFORMANCE DATA.
3. SEE TA-774 FOR FURTHER DESCRIPTION OF HOW THIS DIMENSION IS APPLIED.
4. PICK AND PLACE CAP OR TAPE IS ONLY AVAILABLE WITH OPTION 3 PACKAGING. (PSA ADHESIVE SEALED). ALSO, PSA PACKAGING REQUIRES A PICK AND PLACE CAP.
5. RECOMMENDED SOLDER PASTE THICKNESS IS .006 TO .008 INCHES THICK.
6. THE TOE HEIGHT OF THE SOLDER TAIL SHALL BE MEASURED FROM THE LOWEST POINT OF THE .004 CO-PLANARITY GRAVITY PLANE. THIS MEASUREMENT IS NOT TO EXCEED A WINDOW OF .000 TO .007 INCHES.
7. THREE SLOTS MAY BE LOCATED AT EITHER END OF HOUSING.
8. 5.50mm MATED HEIGHT IS ONLY AVAILABLE IN 9, 15 AND 31 POS.
9. 7.50mm MATED HEIGHT IS ONLY AVAILABLE IN 9 POS.
10. APPLIES TO 91921-3XYZZ AND 91931-3XYZZ OPTIONS ONLY.
11. THE HOUSING WILL WITHSTAND EXPOSURE TO 260°C PEAK TEMPERATURE FOR 30 SECONDS IN A CONVECTION INFRA RED OR VAPOR PHASE REFLOW OVEN. SEE APPLICATION/PROCEDURES IF THEY ARE AVAILABLE.
12. PRODUCT WITH "LF" AT THE END MEETS EUROPEAN UNION DIRECTIVES AND OTHER COUNTRY REGULATION AS DESCRIBED IN GS-22-008.

|             |          |          |           |                                       |                           |
|-------------|----------|----------|-----------|---------------------------------------|---------------------------|
| mal'l. code |          | surface  | tolerance | projection                            | product family            |
|             |          | ISO 1902 | ISO 406   |                                       | CONAN                     |
|             |          | ISO 1001 | ISO 1001  |                                       |                           |
| lfr         | ecn no   | dr       | date      | tolerances unless otherwise specified | title                     |
| AF          |          |          |           | linear                                | CONAN™ CONNECTOR ASSEMBLY |
|             |          |          |           | 0°±2'                                 | INCH/MM                   |
|             |          |          |           | linear                                | scale 5:1                 |
|             |          |          |           | linear                                |                           |
|             |          |          |           | linear                                |                           |
|             |          |          |           | linear                                |                           |
|             |          |          |           | linear                                |                           |
|             |          |          |           | linear                                |                           |
|             |          |          |           | linear                                |                           |
| sheet       | revision |          |           |                                       |                           |
| index       | sheet    |          |           |                                       |                           |

PRODUCT NUMBER  
SEE TABLE

CONAN ASSEMBLY PART NUMBER

919 T C - W X Y ZZ LF

LEAD FREE OPTION  
SEE NOTE 12

| TYPE                    | T |
|-------------------------|---|
| HEADER WITH NO PEGS     | 0 |
| HEADER WITH PEGS        | 1 |
| RECEPTACLE WITH NO PEGS | 2 |
| RECEPTACLE WITH PEGS    | 3 |

| PICK AND PLACE CAP OR TAPE (NOTE 4) | C |
|-------------------------------------|---|
| WITHOUT CAP OR TAPE                 | 0 |
| WITH CAP                            | 1 |
| WITH TAPE (RECEPTACLE ONLY)         | 2 |

| PACKAGING                   | W |
|-----------------------------|---|
| TUBE                        | 2 |
| PRESSURE SEALED TAPE & REEL | 3 |

NOTE 4

| Y | HEADER HEIGHT | RECEPTACLE HEIGHT | MATED HEIGHT | +0.010<br>-0.008<br>[+.25]<br>[-.20] |
|---|---------------|-------------------|--------------|--------------------------------------|
| 1 | .034 [.86]    | .129 [3.28]       | .163 [4.15]  |                                      |
| 2 | .048 [1.23]   |                   | .177 [4.50]  |                                      |
| 3 | .068 [1.73]   |                   | .197 [5.00]  |                                      |
| 4 | .107 [2.72]   |                   | .236 [6.00]  |                                      |
| 5 | .1465 [3.721] |                   | .276 [7.00]  |                                      |
| 6 | .088 [2.23]   |                   | .216 [5.50]  |                                      |
| 7 | .1665 [4.229] |                   | .296 [7.52]  |                                      |

SEE Y=1  
FOR ALL  
RECEPTACLES

\* NOTE 8  
\*\* NOTE 9

| X | PLATING        |
|---|----------------|
| 1 | 15u"/.38u GXT™ |
| 2 | 30u"/.76u GXT™ |

| ZZ | NUMBER OF POSITIONS |
|----|---------------------|
| 09 | 9                   |
| 11 | 11                  |
| 15 | 15                  |
| 21 | 21                  |
| 25 | 25                  |
| 31 | 31                  |
| 41 | 41                  |
| 51 | 51                  |
| 69 | 69                  |

EXAMPLE: 91921-31125LF  
IS A CONAN RECEPTACLE ASSEMBLY,  
HAVING NO PEGS AND WITH A PICK AND PLACE CAP.  
IT ALSO HAS GXT™ PLATING, IS .13 [3.2] HIGH AND 25  
POSITIONS AND IS PACKAGED IN PRESSURE SEALED TAPE,  
REEL AND LEAD FREE.

|             |                    |   |            |                                    |
|-------------|--------------------|---|------------|------------------------------------|
| mal'l. code | surface<br>ISO 902 | tolerance<br>ISO 406<br>ISO 1001                          | projection | product family<br>CONAN            |
| lfr         | ecn no             | dr  | date       | title<br>CONAN™ CONNECTOR ASSEMBLY |
| AF          |                    |   |            | dwg no<br>91900                    |
|             | angles             | linear  | INCH/MM    | sheet 7 of 7                       |
|             | 0'±2'              | XXX±.01/XXX±.03<br>XXX±.005/XXX±.013<br>XXX±.002/XXX±.005 | scale 5:1  | size<br>A3                         |
|             | dr                 | R.SEIPLE  | 11/13/91   | type<br>Product Customer Drawing   |
|             | engr               | D.HORCHLER  | 01/10/92   |                                    |
|             | chr                | D.HORCHLER  | 01/10/92   |                                    |
|             | appd               | D.HORCHLER  | 01/10/92   |                                    |
| sheet index | revision sheet     |   |            |                                    |