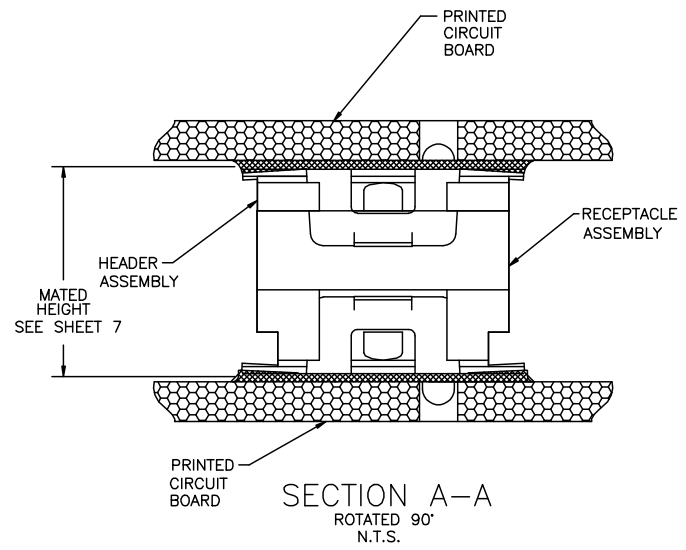
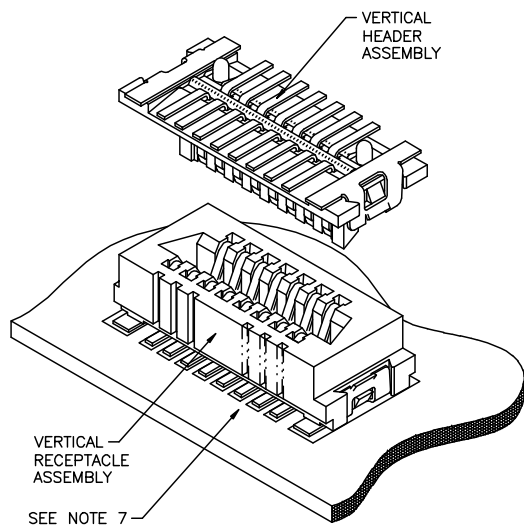
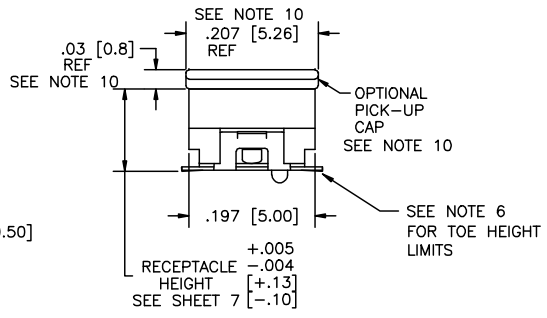
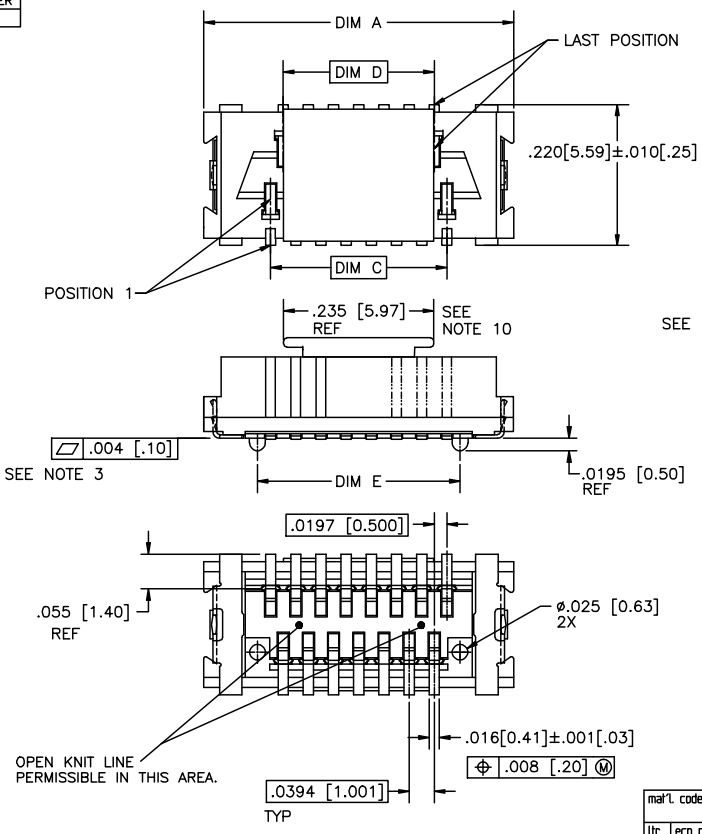


PRODUCT NUMBER
SEE TABLE



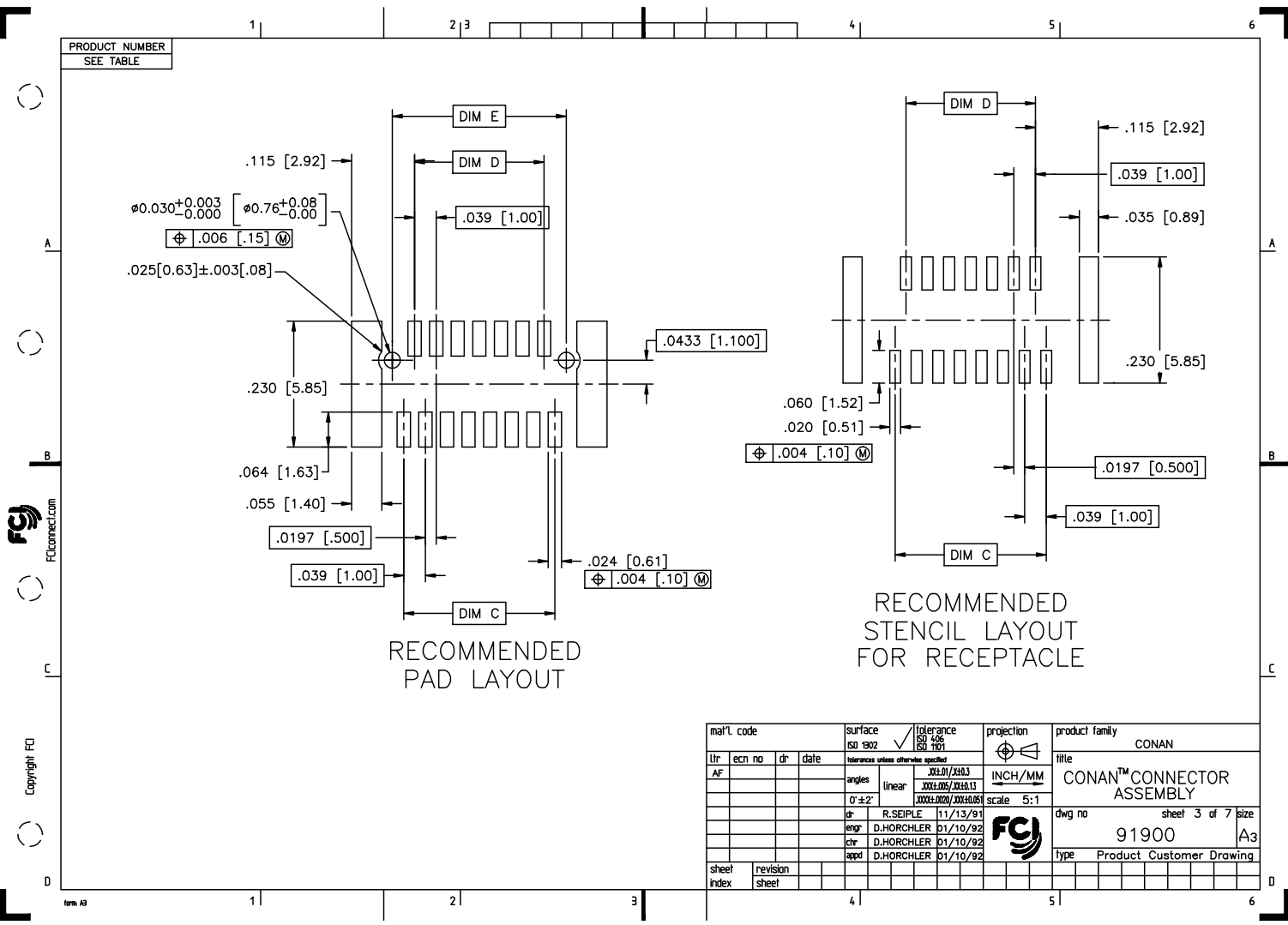
mal'l. code		surface	tolerance	projection	product family
		ISO 1902	ISO 1436 ISO 1101		CONAN
lfr	ecp no	dr	date	title	
Y	W03-1347	AA	12/20/01	CONAN™ CONNECTOR ASSEMBLY	
AA	W04-0190	MHT	9/24/04	INCH/MM	
AB	W05-0110	MHT	5/26/05	scale	5:1
AC	W06-0232	AGS	06/12/06	R.SEIPLE 11/13/91	
AD	W06-0373	MHT	9/26/06	engr. D.HORCHLER 01/10/92	
AE	W06-0012	AGS	1/11/08	chr. D.HORCHLER 01/10/92	
AF	W06-0287	MHT	10/02/08	appd. D.HORCHLER 01/10/92	
sheet	revision	AF	AF	AF	AF
index	sheet	1	2	3	4

PRODUCT NUMBER
SEE TABLE



Copyright FCI

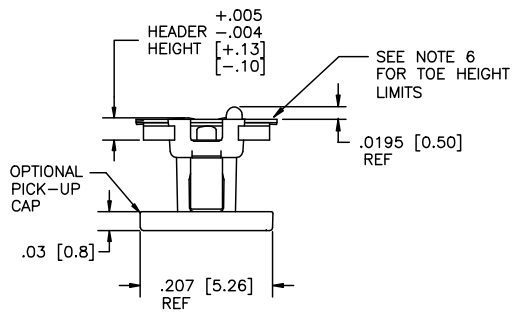
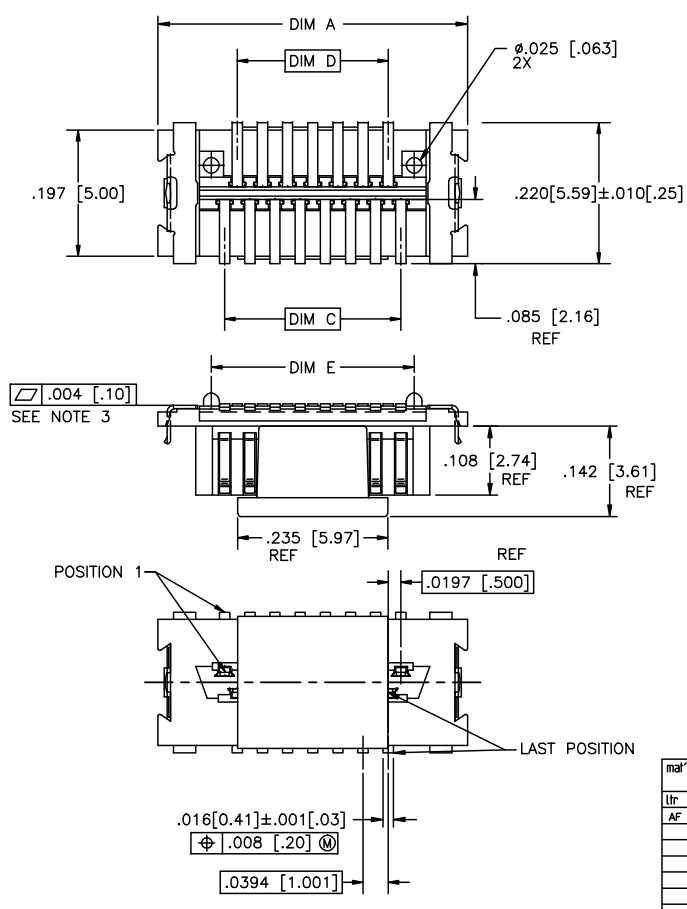
mal'l. code		surface	tolerance	projection	product family
ISO 902		ISO 406	ISO 1001	ISO 1001	CONAN
Intolerances unless otherwise specified		linear		INCH/MM	title
angles		XX±.01/XX±0.3		scale	CONAN™ CONNECTOR ASSEMBLY
0°±2°		XXX±.005/XXX±0.13		5:1	dwg no
dr		XXX±.000/XXX±0.05		FCI	91900
engr		R.SEIPLE 11/13/91		sheet	2 of 7
chr		D.HORCHLER 01/10/92		size	A3
appd		D.HORCHLER 01/10/92		type	Product Customer Drawing
sheet	revision				
index	sheet				



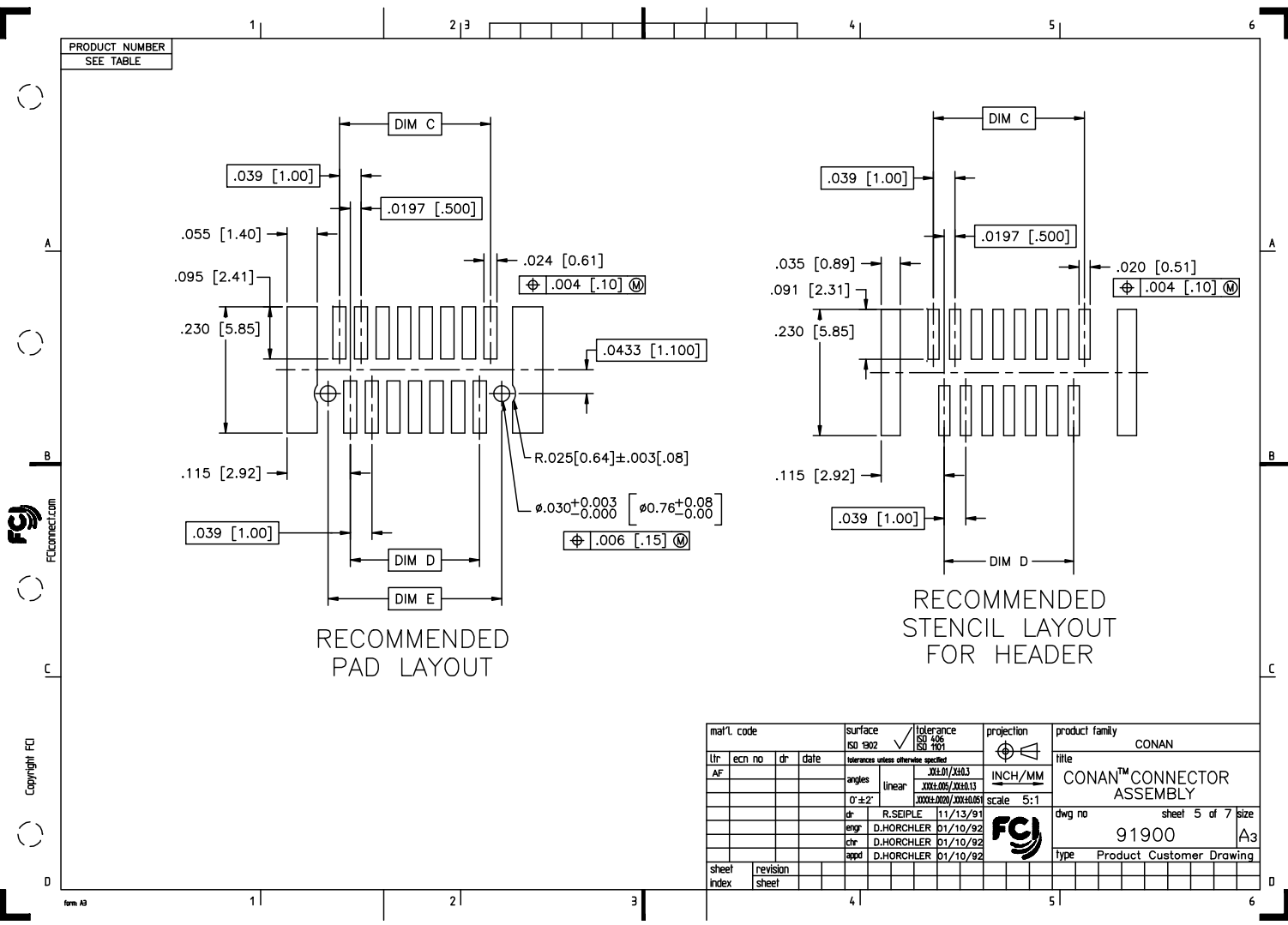
Copyright FCI

mal't. code		surface		tolerance		projection		product family	
		ISO 1902		ISO 146		ISO 1001		CONAN	
tr		ecm no		date		INCH/MM		title	
AF						5:1		CONAN™ CONNECTOR ASSEMBLY	
angles		linear		XXL01/XX03		XXL05/XX013		dwg no	
0°±2'		XXX±000/XXX±005		XXX±000/XXX±005		scale		sheet 3 of 7	
dr		R.SEIPLE		11/13/91		FCI		size	
eng		D.HORCHLER		01/10/92				A3	
chr		D.HORCHLER		01/10/92				type	
app		D.HORCHLER		01/10/92				Product Customer Drawing	
sheet		revision							
index		sheet							

PRODUCT NUMBER
SEE TABLE



mal'l. code		surface		tolerance		projection		product family	
ISO 1902		ISO 1436		ISO 1001		INCH/MM		CONAN	
Intercases unless otherwise specified		XX±.01/XX±0.3		XX±.01/XX±0.13		scale 5:1		title	
AF		0°±2'		XXX±.005/XXX±0.13		Fuj		CONAN™ CONNECTOR ASSEMBLY	
dr		R.SEIPLE		11/13/91		dwg no		sheet 4 of 7 size	
eng		D.HORCHLER		01/10/92		91900		A3	
chr		D.HORCHLER		01/10/92		type		Product Customer Drawing	
appd		D.HORCHLER		01/10/92					
sheet index		revision sheet							



Copyright FCI

mal't. code		surface		tolerance		projection		product family	
ISO 1902		ISO 1406		ISO 1001		1st angle		CONAN	
itr		ecn no		dr		date		title	
AF								CONAN™ CONNECTOR ASSEMBLY	
angles		linear		XX±.01/XX±0.3		INCH/MM		dwg no	
0°±2'		XXX±.005/XXX±0.13		XXX±.000/XXX±0.05		scale 5:1		sheet 5 of 7	
dr		R.SEIPLE		11/13/91		FCI		size	
engr		D.HORCHLER		01/10/92				A3	
chr		D.HORCHLER		01/10/92				type	
appd		D.HORCHLER		01/10/92				Product Customer Drawing	
sheet index		revision sheet							

PRODUCT NUMBER
SEE TABLE

CONAN ASSEMBLY PART NUMBER

919 T C - W X Y ZZ LF

LEAD FREE OPTION
SEE NOTE 12

TYPE	T
HEADER WITH NO PEGS	0
HEADER WITH PEGS	1
RECEPTACLE WITH NO PEGS	2
RECEPTACLE WITH PEGS	3

PICK AND PLACE CAP OR TAPE (NOTE 4)	C
WITHOUT CAP OR TAPE	0
WITH CAP	1
WITH TAPE (RECEPTACLE ONLY)	2

PACKAGING	W
TUBE	2
PRESSURE SEALED TAPE & REEL	3

NOTE 4

Y	HEADER HEIGHT	RECEPTACLE HEIGHT	MATED HEIGHT	+0.010 -0.008 [+.25] [-.20]
1	.034 [.86]	.129 [3.28]	.163 [4.15]	
2	.048 [1.23]		.177 [4.50]	
3	.068 [1.73]		.197 [5.00]	
4	.107 [2.72]		.236 [6.00]	
5	.1465 [3.721]		.276 [7.00]	
6	.088 [2.23]		.216 [5.50]	
7	.1665 [4.229]		.296 [7.52]	

SEE Y=1
FOR ALL
RECEPTACLES

* NOTE 8
** NOTE 9

X	PLATING
1	15u"/.38u GXT™
2	30u"/.76u GXT™

ZZ	NUMBER OF POSITIONS
09	9
11	11
15	15
21	21
25	25
31	31
41	41
51	51
69	69

EXAMPLE: 91921-31125LF
IS A CONAN RECEPTACLE ASSEMBLY,
HAVING NO PEGS AND WITH A PICK AND PLACE CAP.
IT ALSO HAS GXT™ PLATING, IS .13 [3.2] HIGH AND 25
POSITIONS AND IS PACKAGED IN PRESSURE SEALED TAPE,
REEL AND LEAD FREE.

mal'l. code	surface ISO 902	tolerance ISO 406 ISO 1001	projection	product family CONAN
lfr	ecn no	dr	date	title CONAN™ CONNECTOR ASSEMBLY
AF				dwg no 91900
	angles	linear	INCH/MM	sheet 7 of 7
	0'±2'	XXX±.01/XXX±0.3	scale 5:1	size A3
	dr	R.SEIPLE	11/13/91	type Product Customer Drawing
	engr	D.HORCHLER	01/10/92	
	chr	D.HORCHLER	01/10/92	
	appd	D.HORCHLER	01/10/92	
sheet index	revision sheet			