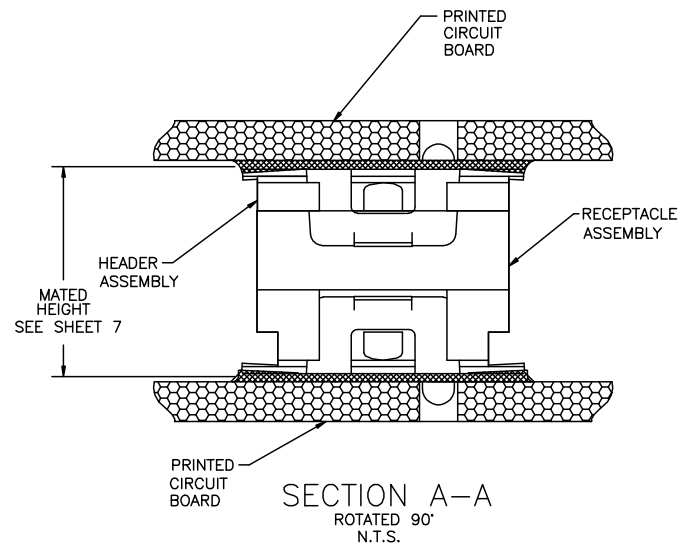


PRODUCT NUMBER  
SEE TABLE



mal'l. code		surface	tolerance	projection	product family
		ISO 1902	ISO 1436 ISO 1101		CONAN
itr		tolerances unless otherwise specified		title	
ecn no	dr	date	angles	linear	INCH/MM
Y V03-1347	AA	12/20/01	XXXL01/XXXL03		CONAN™ CONNECTOR ASSEMBLY
AA M04-0190	MHT	9/24/04	XXXL05/XXXL13		
AB M05-0110	MHT	5/26/05	0'±2'	scale 5:1	
AC M06-0232	AGS	06/12/08	dr	R.SEIPLE	11/13/91
AD M06-0373	MHT	9/26/06	eng	D.HORCHLER	01/10/92
AE M08-0012	AGS	1/11/08	chr	D.HORCHLER	01/10/92
AF M08-0287	MHT	10/02/08	appd	D.HORCHLER	01/10/92
sheet	revision	AF	AF	AF	AF
index	sheet	1	2	3	4
					5
					6
					7
					8
					9
					10
					11
					12
					13
					14
					15
					16
					17
					18
					19
					20
					21
					22
					23
					24
					25
					26
					27
					28
					29
					30
					31
					32
					33
					34
					35
					36
					37
					38
					39
					40
					41
					42
					43
					44
					45
					46
					47
					48
					49
					50
					51
					52
					53
					54
					55
					56
					57
					58
					59
					60
					61
					62
					63
					64
					65
					66
					67
					68
					69
					70
					71
					72
					73
					74
					75
					76
					77
					78
					79
					80
					81
					82
					83
					84
					85
					86
					87
					88
					89
					90
					91
					92
					93
					94
					95
					96
					97
					98
					99
					100

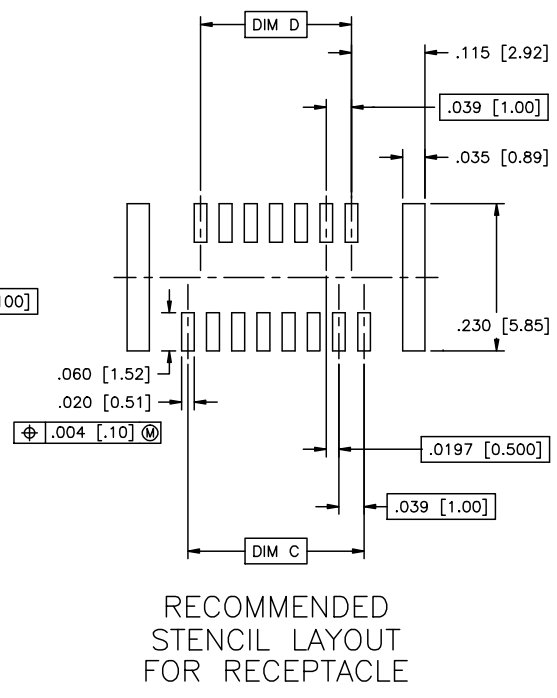
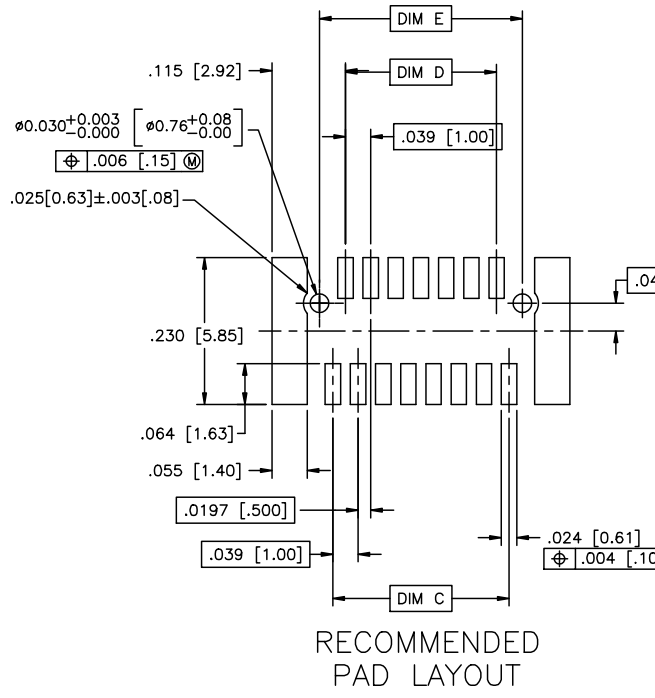


mal'l. code		surface	tolerance	projection	product family
ISO 902		ISO 406	ISO 1001	CONAN	CONAN
Intolerances unless otherwise specified		INCH/MM		title	
ltf	ecn no	dr	date	CONAN™ CONNECTOR ASSEMBLY	
AF				dwg no	sheet 2 of 7 size
angles	linear	.0010/.0013		91900	A3
0° ± 2°		.0001000/.0001005		type Product Customer Drawing	
dr	R. SEIPLE	11/13/91	scale 5:1	FCJ	
engr	D. HORCHLER	01/10/92			
chr	D. HORCHLER	01/10/92			
appd	D. HORCHLER	01/10/92			
sheet index	revision sheet				

PDM: Rev:AF STATUS:Released Printed: Oct 12, 2010

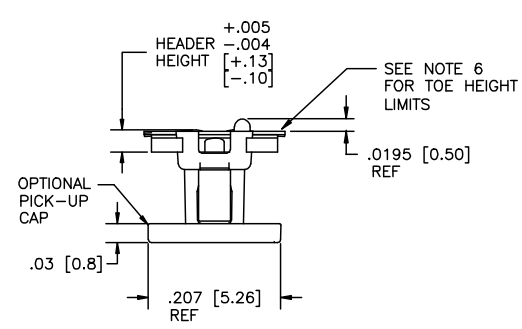


PRODUCT NUMBER  
SEE TABLE



mal't. code		surface	tolerance	projection	product family	
itr		ISO 1902	ISO 1436 ISO 1001	ISO 1001	CONAN	
ecm no		Intolerances unless otherwise specified			title	
dr		angles	linear	INCH/MM	CONAN™ CONNECTOR ASSEMBLY	
date		0°±2'	XXXL01/XXL03 XXXL05/XXL13 XXXL09/XXXL05	scale 5:1	dwg no	
dr		R.SEIPLE	11/13/91		sheet 3 of 7	
eng		D.HORCHLER	01/10/92		91900	size A3
chr		D.HORCHLER	01/10/92		type	Product Customer Drawing
app		D.HORCHLER	01/10/92			
sheet	revision					
index	sheet					

PRODUCT NUMBER  
SEE TABLE



mal'l. code		surface		tolerance		projection		product family	
ISO 1902		ISO 1436		ISO 1101		INCH/MM		CONAN	
itr		ecn no		date		angles		title	
AF						linear		CONAN™ CONNECTOR ASSEMBLY	
						0° ± 2°		dwg no	
						scale 5:1		sheet 4 of 7	
						R.SEIPLE 11/13/91		size	
						engr D.HORCHLER 01/10/92		A3	
						chr D.HORCHLER 01/10/92		type	
						appd D.HORCHLER 01/10/92		Product Customer Drawing	
sheet index		revision sheet							



RECOMMENDED PAD LAYOUT

RECOMMENDED STENCIL LAYOUT FOR HEADER

mal't. code		surface		tolerance		projection		product family	
ISO 1902		ISO 1406		ISO 1001		1st angle		CONAN	
ecn no		dr		date		INCH/MM		title	
AF						5X1.01/3X0.3		CONAN™ CONNECTOR ASSEMBLY	
						XXX±.005/XXX±.013		dwg no	
						XXX±.000/XXX±0.05		91900	
						scale 5:1		sheet 5 of 7	
						FCJ		size A3	
								type Product Customer Drawing	
sheet index		revision sheet							

Downloaded from Elcodis.com electronic components distributor



PRODUCT NUMBER  
SEE TABLE

CONAN ASSEMBLY PART NUMBER

919 T C - W X Y ZZ LF

LEAD FREE OPTION  
SEE NOTE 12

TYPE	T
HEADER WITH NO PEGS	0
HEADER WITH PEGS	1
RECEPTACLE WITH NO PEGS	2
RECEPTACLE WITH PEGS	3

PICK AND PLACE CAP OR TAPE (NOTE 4)	C
WITHOUT CAP OR TAPE	0
WITH CAP	1
WITH TAPE (RECEPTACLE ONLY)	2

PACKAGING	W
TUBE	2
PRESSURE SEALED TAPE & REEL	3

NOTE 4

Y	HEADER HEIGHT	RECEPTACLE HEIGHT	MATED HEIGHT	+0.010 -0.008 [+.25] [-.20]
1	.034 [.86]	.129 [3.28]	.163 [4.15]	
2	.048 [1.23]		.177 [4.50]	
3	.068 [1.73]		.197 [5.00]	
4	.107 [2.72]		.236 [6.00]	
5	.1465 [3.721]		.276 [7.00]	
6	.088 [2.23]		.216 [5.50]	
7	.1665 [4.229]		.296 [7.52]	

SEE Y=1  
FOR ALL  
RECEPTACLES

\* NOTE 8  
\*\* NOTE 9

X	PLATING
1	15u"/.38u GXT™
2	30u"/.76u GXT™

ZZ	NUMBER OF POSITIONS
09	9
11	11
15	15
21	21
25	25
31	31
41	41
51	51
69	69

EXAMPLE: 91921-31125LF  
IS A CONAN RECEPTACLE ASSEMBLY,  
HAVING NO PEGS AND WITH A PICK AND PLACE CAP.  
IT ALSO HAS GXT™ PLATING, IS .13 [3.2] HIGH AND 25  
POSITIONS AND IS PACKAGED IN PRESSURE SEALED TAPE,  
REEL AND LEAD FREE.

mal'l. code	surface ISO 902	tolerance ISO 406 ISO 1001	projection	product family CONAN
lfr	ecn no	dr	date	title CONAN™ CONNECTOR ASSEMBLY
AF				dwg no 91900
	angles	linear	INCH/MM	sheet 7 of 7
	0'±2'	XXX±.01/XXX±.03 XXX±.005/XXX±.013 XXX±.002/XXX±.005	scale 5:1	size A3
	dr	R.SEIPLE	11/13/91	type Product Customer Drawing
	eng	D.HORCHLER	01/10/92	
	chr	D.HORCHLER	01/10/92	
	appd	D.HORCHLER	01/10/92	
sheet index	revision sheet			