



PRODUCT NUMBER
SEE TABLE

NOTES:

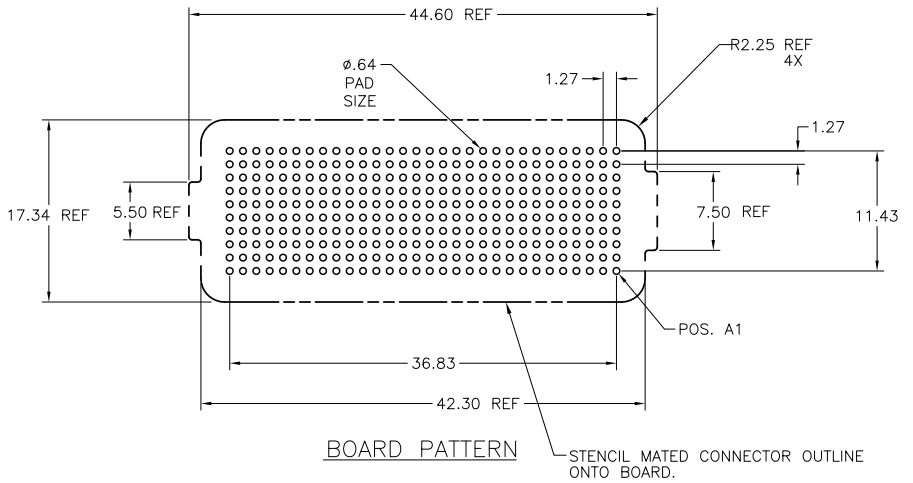
1. MATERIAL:  
HOUSING: LCP, UL 94V-0 RATED  
CONTACT: COPPER ALLOY
- PLATING CONTACT: SEE TABLE ON SHEET 1  
SOLDER BALL: SEE TABLE ON SHEET 1  
EUTECTIC SnPb OR LEAD FREE  
95.5 Sn/4 Ag/0.5 Cu

2. OVERALL BOARD-TO-BOARD STACK HEIGHTS AVAILABLE USING THIS CONNECTOR (84578):

MATED HT.	WITH RECPT. P/N	-2XX PLATING
10.0	84501	SEE NOTE 3 & 4
11.5	84502	*
14.0	84553	SEE NOTE 3 & 4

\* 84502 NOT AVAILABLE IN TELCORDIA/NORTEL VERSION.

3. PLATING FOR INDICATED -2XX SERIES PART NOS. MEETS THE REQUIREMENTS OF NORTEL NPS25298-2 (CENTRAL OFFICE ENVIRONMENT, 25 YEAR LIFE EXPECTANCY).
4. PLATING FOR INDICATED -2XX SERIES PART NOS. IS 50μ INCH MIN. Au OVER 100μ INCH MIN. Ni WITH SPECIAL CONTACT GEOMETRY TO MEET REQUIREMENTS OF TELCORDIA GR-1217-CORE: CENTRAL OFFICE ENVIRONMENT.
5. FOR PROPER APPLICATION FOLLOW FCI APPLICATION SPECIFICATION GS-20-033. LEAD FREE SOLDER BALLS WILL NOT SOLDER PROPERLY IN A LEADED SOLDER PROCESS DUE TO A HIGHER REFLOW TEMPERATURE LEAD FREE PRODUCT IS THEREFORE NOT BACKWARDS COMPATIBLE WITH LEADED OR SOME SOLDERING APPLICATIONS. REFERENCE FCI APPLICATION SPECIFICATION.
6. THIS PRODUCT MEETS EUROPEAN UNION DIRECTIVE AND OTHER COUNTRY REGULATIONS AS DESCRIBED IN GS-22-008. PRODUCT MEETING THIS DIRECTIVE IS IDENTIFIED IN THE LOT CODE NUMBER MARKED ON EACH PART BY HAVING AN "X" IN THE SEVENTH CHARACTER POSITION.
7. 84578-A02 AND -A02LF ARE CUSTOMER SPECIALS.



mat'l. code	SEE NOTE 1	surface	tolerance	projection	product family
tr	ecm no	dr	date	ASME Y14.5	ASME Y14.5
H				angles	tolerances unless otherwise specified
				0° ±2'	X+3
					XX+13
					XXX+051
		dr	D. WAUGHEN	1998-09-21	scale 2:1
		engr	M. HAHN	1998-09-21	MM
		chr	M. HAHN	1998-09-21	FCJ
		appd	M. HAHN	1998-09-21	
sheet	revision				
index	sheet				
					product family
					MEG-ARRAY
					title
					6mm PLUG ASSEMBLY
					10 X 30 = 300 POSITION
					dwg no
					84578
					sheet 2 of 2
					size
					A4
					type
					CUSTOMER Drawing