

mat'l. code		surface		tolerance		projection		product family	
		ISO 1302		ISO 406		ISO 1101		CARD CONN	
itr		ecn no		date		tolerances unless otherwise specified		title	
F		V31386		MRC 9/15/93		angles		1X.100/2.54	
G		V60167		EPK 3/13/96		linear		CARD CONNECTOR	
H		V61642		LSS 11/26/96		0° $\pm 2^\circ$		dwg no	
J		V70998		EPK 9/25/97		dr		sheet 1 of 4	
K		V02518		MDF 10/30/00		enrg		size	
L		M05-0199		ERE 10/30/00		chr		A3	
M		M06-0210		MHT 6/03/06		appd		67208	
sheet		revision		M		M		type	
index		sheet		1		2		Product Customer Drawing	

PDM: Rev:M STATUS:Released Printed: Sep 09, 2009

PRODUCT NO
SEE TABLE

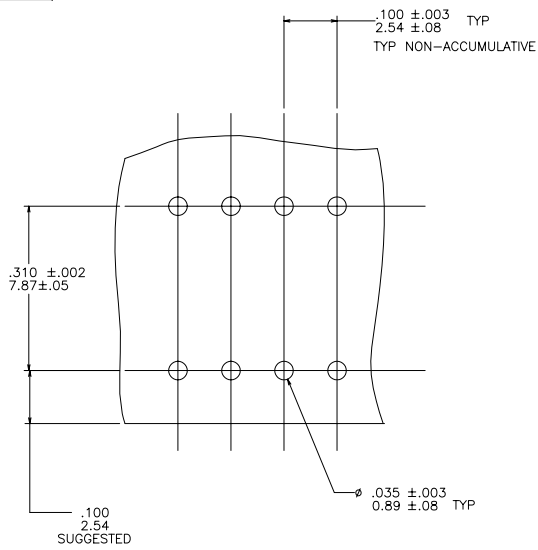


FIGURE 1

NOTES.


- ① HOUSING MATERIAL.
FILLED HIGH TEMPERATURE NYLON
COLOR: BLACK
- ② TERMINAL MATERIAL.
BODY: BRASS .010/-.025 THICK.
SPRING: BE-CU. HEAT TREATED
BODY PLATING:
30 MICROINCH GOLD/.76 MICRON OVER 50 MICROINCH
NICKEL/1.27 MICRON IN CONTACT AREA.
SPRING PLATING: GOLD FLASH
3. MARK FCJ PART NUMBER AND DATE CODE LEGIBLE
ON TUBE LABEL.
4. APPLICATION INFORMATION.
A. RECOMMENDED MOUNTING HOLE PATTERN IS SHOWN IN
FIG. "1"
B. ALL MATING PINS TO BE .025/-.064 SQUARE ON TRUE CENTER
OF GIVEN TERMINAL SPACINGS WITHIN .015/-.38 DIA.
C. SUGGESTED MATING PIN LENGTH .350±.020/8.89±.51.
- ⑤ ADD "LF" SUFFIX AT THE END OF PART NUMBER
FOR LEAD FREE OPTION.
- ⑥ THESE PRODUCT MEET EUROPEAN UNION DIRECTIVES AND
OTHER COUNTRY REGULATIONS AS DESCRIBED IN GS-22-008.
7. THIS PART WILL WITHSTAND EXPOSURE TO 260°C PEAK
TEMPERATURE FOR 20 SECONDS IN WAVE SOLDER,
INFRA-RED OR VAPOR PHASE SOLDER PROCESS.

mat'l. code		surface	tolerance	projection	product family
ISO 1302		ISO 1302	ISO 406	INCH/MM	CARD CONN
ISO 1101		ISO 1101	ISO 1101		
ltr	ecn	no	dr	date	title
M					1X.100/2.54 CARD CONNECTOR
angles		linear	tolerances unless otherwise specified		
0°±2'		XXXX.01/XX.3	XXXX.005/XX.13		
dr		B.ASHREFI	108/91	scale 4:1	
engr		D.NEIDICH	10/21/81		
chr		D.NEIDICH	10/12/81		
appd		D.NEIDICH	10/21/81		
sheet	revision	type Product Customer Drawing			
index	sheet	size A3			

PRODUCT NO	NO. OF POS.	DIM. A ±. 010/0. 25	DIM. B ±. 020/0. 51	LEAD FREE OPTION
67208-001	1X1	. 000/0. 00	. 140/3. 56	
-002	1X2	. 100/2. 54	. 240/6. 10	
-003	1X3	. 200/5. 08	. 340/8. 64	
-004	1X4	. 300/7. 62	. 440/11. 18	
-005	1X5	. 400/10. 16	. 540/13. 72	
-006	1X6	. 500/12. 70	. 640/16. 26	
-007	1X7	. 600/15. 24	. 740/18. 80	
-008	1X8	. 700/17. 78	. 840/21. 34	
-009	1X9	. 800/20. 32	. 940/23. 88	
-010	1X10	. 900/22. 86	1. 040/26. 42	
-011	1X11	1. 000/25. 40	1. 140/28. 96	
-012	1X12	1. 100/27. 94	1. 240/31. 50	
-013	1X13	1. 200/30. 48	1. 340/34. 04	
-014	1X14	1. 300/33. 02	1. 440/36. 58	
-015	1X15	1. 400/35. 56	1. 540/39. 12	
-016	1X16	1. 500/38. 10	1. 640/41. 66	
-017	1X17	1. 600/40. 64	1. 740/44. 20	
-018	1X18	1. 700/43. 18	1. 840/46. 74	
-019	1X19	1. 800/45. 72	1. 940/49. 28	
-020	1X20	1. 900/48. 26	2. 040/51. 82	
-021	1X21	2. 000/50. 80	2. 140/54. 36	
-022	1X22	2. 100/53. 34	2. 240/56. 90	
-023	1X23	2. 200/55. 88	2. 340/59. 44	
-024	1X24	2. 300/58. 42	2. 440/61. 98	
-025	1X25	2. 400/60. 96	2. 540/64. 52	
-026	1X26	2. 500/63. 50	2. 640/67. 06	
-027	1X27	2. 600/66. 04	2. 740/69. 60	
-028	1X28	2. 700/68. 58	2. 840/72. 14	
-029	1X29	2. 800/71. 12	2. 940/74. 68	
-030	1X30	2. 900/73. 66	3. 040/77. 22	
-031	1X31	3. 000/76. 20	3. 140/79. 76	
-032	1X32	3. 100/78. 74	3. 240/82. 30	
-033	1X33	3. 200/81. 28	3. 340/84. 84	
-034	1X34	3. 300/83. 82	3. 440/87. 38	
-035	1X35	3. 400/86. 36	3. 540/89. 92	
-036	1X36	3. 500/88. 90	3. 640/92. 46	
-037	1X37	3. 600/91. 44	3. 740/95. 00	
-038	1X38	3. 700/93. 98	3. 840/97. 54	
-039	1X39	3. 800/96. 52	3. 940/100. 08	
67208-040	1X40	3. 900/99. 06	4. 040/102. 62	

NOTE 5

OBSOLETE

mat'l. code	surface ISO 1302	tolerance ISO 406 ISO 1101	projection	product family CARD CONN
ltr ecn no dr date	tolerances unless otherwise specified		INCH/MM	title 1X.100/2.54 CARD CONNECTOR
M	angles	linear	scale 4:1	dwg no 67208
	dr	B.ASHREFI 108/91		sheet 3 of 4 size A3
	enrg	D.NEIDICH 10/21/81		type Product Customer Drawing
	chr	D.NEIDICH 10/12/81		
	appd	D.NEIDICH 10/21/81		
sheet index	revision sheet			

PRODUCT NO	NO. OF PDS.	DIM. A ±. 010/0. 25	DIM. B ±. 020/0. 51	LEAD FREE OPTION
67208-041	1X41	4. 000/101. 60	4. 140/105. 16	NOTE 5
-042	1X42	4. 100/104. 14	4. 240/107. 70	
-043	1X43	4. 200/106. 68	4. 340/110. 24	
-044	1X44	4. 300/109. 22	4. 440/112. 78	
-045	1X45	4. 400/111. 76	4. 540/115. 32	
-046	1X46	4. 500/114. 30	4. 640/117. 86	
-047	1X47	4. 600/116. 84	4. 740/120. 40	
-048	1X48	4. 700/119. 38	4. 840/122. 94	
-049	1X49	4. 800/121. 92	4. 940/125. 48	
-050	1X50	4. 900/124. 46	5. 040/128. 02	
-051	1X51	5. 000/127. 00	5. 140/130. 56	
67208-052	1X52	5. 100/129. 54	5. 240/133. 10	NOTE 5

mat'l. code	surface ISO 1302	tolerance ISO 406 ISO 1101	projection	product family CARD CONN
ltr	ecn	no	dr	date
M				
angles		linear		tolerances unless otherwise specified
0° ± 2'				.XX4.01/.XX4.3 .XXXXX.0.005/.204.13 .XXXXX.0020/.XXXX.001
dr	B.ASHREFI	108/91	INCH/MM	
enrg	D.NEIDICH	10/21/81	scale 4:1	
chr	D.NEIDICH	10/12/81	FCJ	
appd	D.NEIDICH	10/21/81	title 1X.100/2.54 CARD CONNECTOR	
sheet index	revision sheet	dwg no 67208		sheet 4 of 4 size A3
		type Product Customer Drawing		

PDM: Rev:M STATUS:Released Printed: Sep 09, 2009