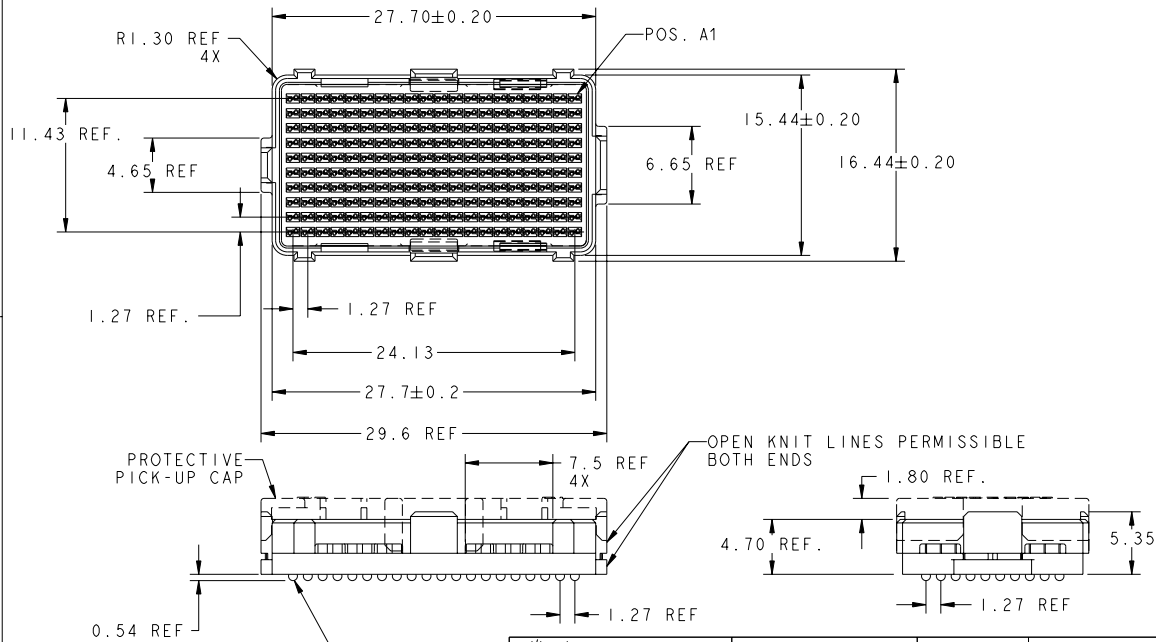


PRODUCT NO.	PICK-UP CAP	CONTACT PLATING	SOLDER BALL
55724-001	YES	15u" (.38um) Au OVER Ni	SnPb
55724-001LF			SnAgCu LEAD FREE (6)(7)
55724-101	YES	30u" (.76um) Au OVER Ni	SnPb
55724-101LF			SnAgCu LEAD FREE (6)(7)
55724-201	YES	SEE NOTE 2	SnPb
55724-201LF			SnAgCu LEAD FREE (6)(7)



mat'l code		SEE NOTE 1		tolerances unless otherwise specified		CUSTOMER		FCJ	
lfr	ecm no.	dr	date	linear	0.X ± 0.3	COPY		www.fcjconnect.com	
A	V20982	DAI	07-18-02		0.XX ± 0.10	projection		title 6mm RECEPTACLE ASSY	
B	V21490	DAI	10-03-02		0.XXX ± 0.050			10x20= 200 POSITION	
C	V03-0678	DAI	06-19-03	angles	0° ± 2°			product family MEG-ARRAY	
D	V03-0698	DAI	08-22-03	dr	D. INGRAM 7-18-02			code 213	
E	V04-0940	VS	10/9/04	engr	D. WHITING 7-18-02	MM		size 55724	
F	V06-0560	LP	2008/06/22	chr	D. WHITING 7-18-02	scale	2:1	sheet 1 of 4	
				oppd	D. WHITING 7-18-02				
sheet index	revision sheet	F	F	F	F				
		1	2	3	4				



This document is the property of and embodies CONFIDENTIAL and PROPRIETARY information of FCJ. No part of the information shown on this document may be used in any way or disclosed to others without the written consent of FCJ. Copyright FCJ.

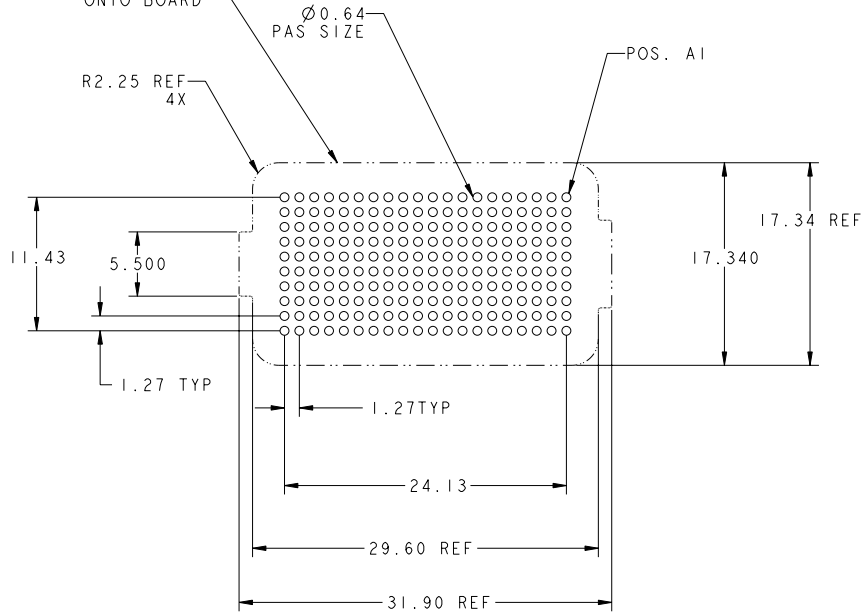
REV E - 2008-04-18

PDM: Rev:F STATUS:Released Printed: Dec 01, 2010



This document is the property of and embodies CONFIDENTIAL and PROPRIETARY information of FCJ. No part of the information shown on this document may be used in any way or disclosed to others without the written consent of FCJ. Copyright FCJ.

STENCIL MATED CONNECTOR OUTLINE ONTO BOARD



**BOARD PATTERN**

mat'l code		SEE NOTE 1		tolerances unless otherwise specified		CUSTOMER		FCJ		www.fcjconnect.com	
ltr	ecm no.	dr	date	linear	0.X ±0.3	projection	COPY	title	6mm RECEPTACLE ASSY 10x20= 200 POSITION		
				angles	0.XXX ±0.10		MM	product family	MEG-ARRAY		code
				dr	0° ±2°			size	dwg no	55724	
				enr	D.WHITING 7-18-02	scale	2:1	sheet	2		
				chr	D.WHITING 7-18-02						
				oppd	D.WHITING 7-18-02						
sheet index	revision sheet										

cage code 22526

Pro/E

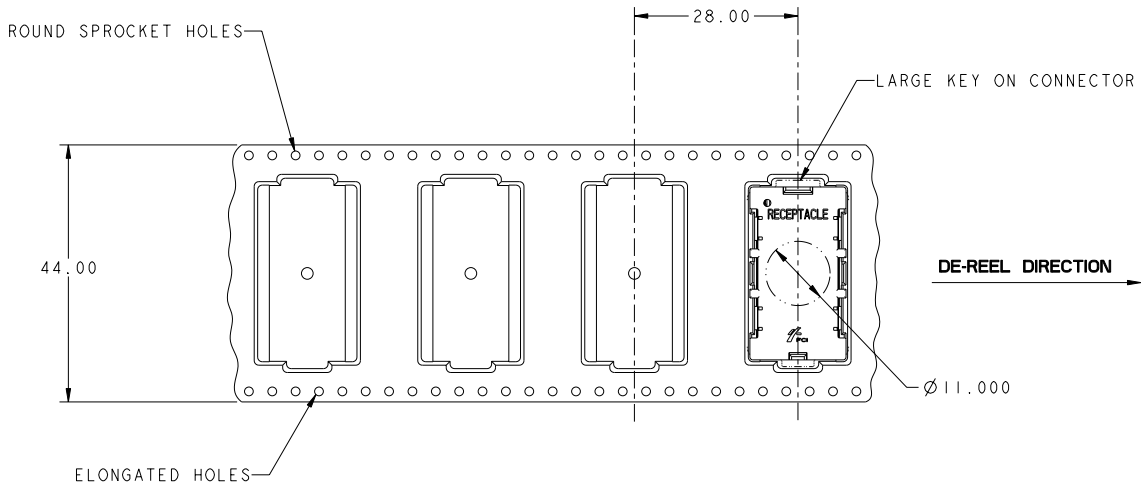
**PDM: Rev:F**

STATUS: **Released**

Printed: Dec 01, 2010



This document is the property of and embodies  
 CONFIDENTIAL and PROPRIETARY information of FCJ.  
 No part of the information shown on this  
 document may be used in any way or disclosed  
 to others without the written consent of FCJ.  
 Copyright FCJ.



**TAPE & REEL PACKAGING**  
PER EIA 481-3

mat'l code		SEE NOTE 1		tolerances unless otherwise specified		CUSTOMER		www.fcjconnect.com	
ltr	ecm no.	dr	date	linear	0.X ±0.3	projection	COPY	title 6mm RECEPTACLE ASSY	
					0.XXX ±0.10			10x20= 200 POSITION	
				angles	0° ±2°		MM	product family	MEG-ARRAY
				dr	D.INGRAM 7-18-02	scale	A	size	dwg no
				eng	D.WHITING 7-18-02	1:1		55724	code
				chr	D.WHITING 7-18-02				213
				oppd	D.WHITING 7-18-02				sheet
									3
sheet index	revision sheet								

cage code 22526 4

**PDM: Rev:F** STATUS: **Released** Printed: Dec 01, 2010

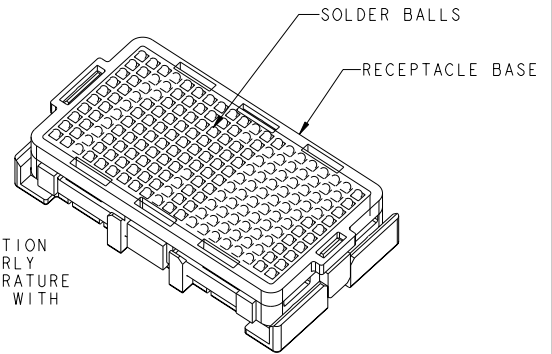
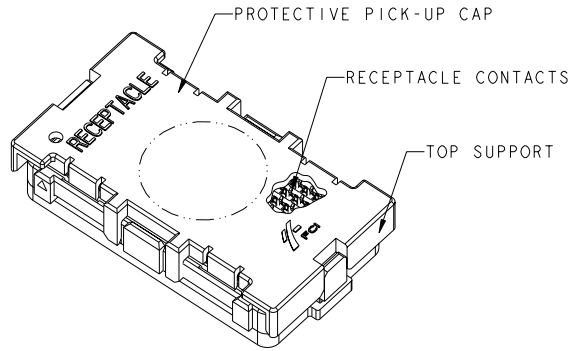
1 | 2

3 |

4

NOTES:

- ① MATERIAL:  
HOUSING: LCP  
CONTACT: COPPER ALLOY  
  
PLATING CONTACT: SEE TABLE ON SHEET I  
SOLDER BALL: SEE TABLE ON SHEET I  
EUTECTIC SnPb OR LEAD FREE  
95.5Sn/4Ag/0.5Cu
- ② PLATING FOR -2XX SERIES DASH NOS:  
Au OVER Ni WITH SPECIAL CONTACT  
GEOMETRY TO MEET REQUIREMENTS  
OF TELCORDIA GR-1217-CORE:  
CENTRAL OFFICE ENVIRONMENT.
- ③ SOLDER BALLS WILL NOT BE PERFECT SPHERICAL SHAPE  
DUE TO REFLOW ATTACHMENT.
- 4. OVERALL BOARD-TO-BOARD STACK  
HEIGHT WHEN MATED TO:  
200 POSITION 0.0mm PLUG (84516) IS 6.0 REF.  
200 POSITION 6.0mm PLUG (84530) IS 12.0 REF.
- 5. SEE SK-47284 FOR MATING RESTRICTIONS  
WITH EARLIER DESIGN VERSIONS.
- ⑥ FOR PROPER APPLICATION FOLLOW FCI APPLICATION SPECIFICATION  
GS-20-033. LEAD FREE SOLDER BALLS WILL NOT SOLDER PROPERLY  
IN A LEADED SOLDER PROCESS DUE TO A HIGHER REFLOW TEMPERATURE  
LEAD FREE PRODUCT IS THEREFORE NOT BACKWARDS COMPATIBLE WITH  
LEADED OR SOME SOLDERING APPLICATIONS. REFERENCE FCI  
FCI APPLICATION SPECIFICATION
- ⑦ THIS PRODUCT MEETS EUROPEAN UNION DIRECTIVE AND OTHER  
COUNTRY REGULATIONS AS DESCRIBED IN GS-22-008. PRODUCT  
MEETING THIS DIRECTIVE IS IDENTIFIED IN THE LOT CODE  
NUMBER MARKED ON EACH PART BY HAVING AN "X" IN THE SEVENTH  
CHARACTER POSITION



mat'l code				SEE NOTE I	tolerances unless otherwise specified	CUSTOMER	FCI www.fciconnect.com		
ltr	ecm no.	dr	date	linear	0.X ±0.3	COPY	title	6.0mm RECPT. ASSY	
F				angles	0.XX ±0.10	projection	10X20= 200 POS.		
				dr	0.XXX ±0.050	 MM scale 1:1	product family	MEG-Array	
				engr	0° ±2°		size	dwg no	213
				chr	D. INGRAM 7-18-02		A	55724	sheet 4
				oppd	D.WHITING 07-18-02				
sheet index	revision sheet				D.WHITING 7-18-02		cage code	22526	

1 | 2

3 |

4

Pro/E

PDM: Rev:F

STATUS: Released

Printed: Dec 01, 2010



This document is the property of and embodies  
CONFIDENTIAL and PROPRIETARY information of FCI.  
No part of the information shown on this  
document may be used in any way or disclosed  
to others without the written consent of FCI.  
Copyright FCI.

REV E - 2006-04-18