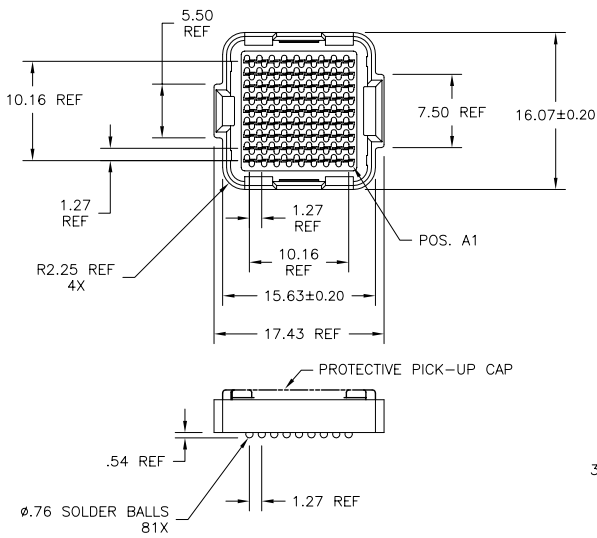


PRODUCT No.	PICK-UP CAP	CONTACT PLATING	SOLDER BALL
55714-002	YES	15u" (.38um) Au OVER Ni	SnPb
55714-002LF			SnAgCu LEAD FREE ④⑤
55714-102	YES	30u" (.76um) Au OVER Ni	SnPb
55714-102LF			SnAgCu LEAD FREE ④⑤
55714-202	YES	SEE NOTE 3	SnPb
55714-202LF			SnAgCu LEAD FREE ④⑤

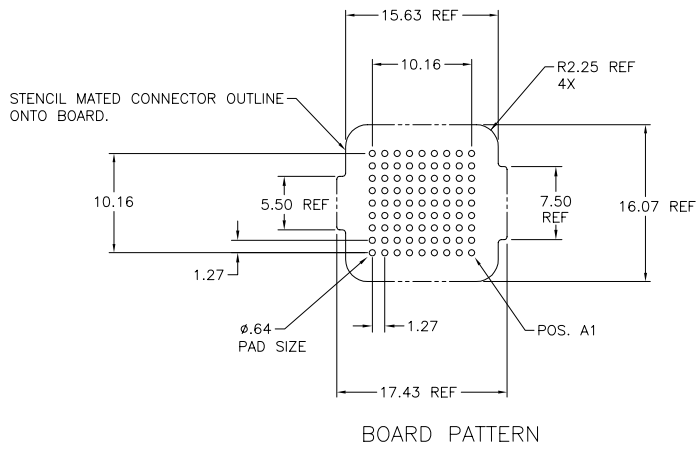
NOTES:

- MAT'L**
HOUSING: LCP
CONTACT: COPPER ALLOY

PLATING
CONTACT: (SEE TABLE ON SHEET1)
SOLDER BALL: (SEE TABLE ON SHEET1)
EUTECTIC SnPb OR LEAD FREE
95.5Sn/4Ag/0.5Cu
- OVERALL BOARD-TO-BOARD STACK HEIGHT WHEN MATED TO P/N 55715
81 POSITION 4.0mm RECP.T. IS 4.0mm REF.
- PLATING FOR -2XX SERIES DASH NOS. MEETS THE REQUIREMENTS OF NORTEL NPS25298-2 (CENTRAL OFFICE ENVIRONMENT, 25 YEAR LIFE EXPECTANCY).
- FOR PROPER APPLICATION FOLLOW FCI APPLICATION SPECIFICATION GS-20-033 LEAD FREE SOLDER BALLS WILL NOT SOLDER PROPERLY IN A LEADED SOLDER PROCESS DUE TO A HIGHER REFLOW TEMPERATURE. LEAD FREE PRODUCT IS THEREFORE NOT BACKWARDS COMPATIBLE WITH LEADED OR SOME SOLDERING APPLICATIONS. REFERENCE FCI APPLICATION SPECIFICATION
- THIS PRODUCT MEETS EUROPEAN UNION DIRECTIVES AND OTHER COUNTRY REGULATIONS AS DESCRIBED IN GS-22-008 PRODUCT MEETING THIS DIRECTIVE IS IDENTIFIED IN THE LOT CODE NUMBER MARKED ON EACH PART BY HAVING AN "X" IN THE SEVENTH CHARACTER POSITION

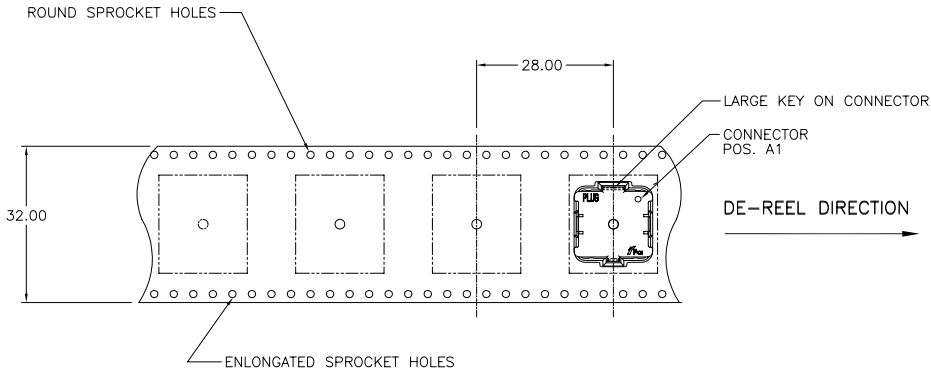


mat'l. code		surface		tolerance		projection		product family	
itr	ecr no	dr	date	ASME Y14.5	ASME Y14.5	ASME Y14.5	ASME Y14.5	title	MEG-Array
A	v20800	DAI	4-24-02	tolerances unless otherwise specified	XX *3	MM		0mm PLUG ASSY.	
B	v20949	DAI	8-15-02	angles	XX *10			9X9 = 81 POSITION	
C	v03-0678	DAI	06/18/03	0° ±2'	XXX *050	scale	1:1		
D	v04-0940	VS	10/09/04	dr	D.WAUGHEN	4-9-01		dwg no	sheet 1 of 3 size
E	v06-0560	LP	2006/07/14	engr	J.KONTOS	4-9-01		55714	A4
				chr	J.KONTOS	4-9-01			
				appd	J.KONTOS	4-9-01			
sheet index	revision sheet	E	E	E				type	CUSTOMER Drawing
		1	2	3					



BOARD PATTERN

mat'l. code		surface		tolerance		projection		product family	
-		ASME Y14.5		ASME Y14.5		MM		MEG-Array	
ltr	ecm no	dr	date	tolerances unless otherwise specified		MM		title	
E				X *3 XX *10 XXX *050		scale 1:1		0mm PLUG ASSY. 9X9 = 81 POSITION	
		dr	D.WAUGHEN	4-9-01		FCI		dwg no	
		engr	J.KONTOS	4-9-01				sheet 2 of 3	
		chr	J.KONTOS	4-9-01				55714	
		appd	J.KONTOS	4-9-01				type	
								CUSTOMER Drawing	
sheet index	revision sheet								



mat'l. code		surface		tolerance		projection		product family		
-		ASME Y14.5		ASME Y14.5				MEG-Array		
ltr	ecn no	dr	date	tolerances unless otherwise specified				title		
E				angles	X *3	MM		0mm PLUG ASSY.		
				or ±2"	XX *10	scale 1:1		9X9 = 81 POSITION		
				dr	D.WAUGHEN	4-9-01			dwg no	
				engr	J.KONTOS	4-9-01			sheet 3 of 3	size
				chr	J.KONTOS	4-9-01			55714	A4
				appd	J.KONTOS	4-9-01			type CUSTOMER Drawing	
sheet index	revision sheet									