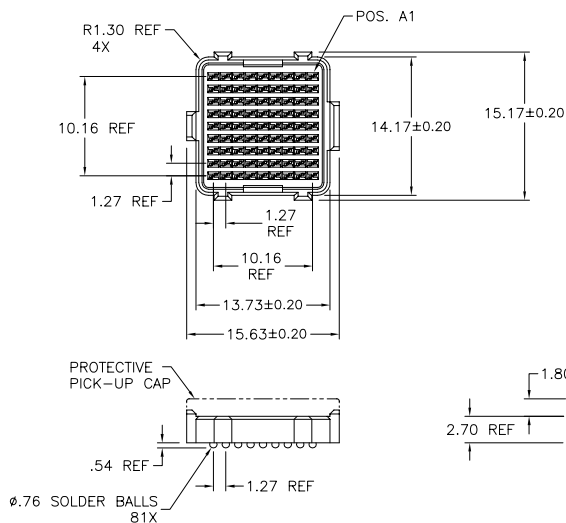


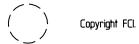
PRODUCT No.	PICK-UP CAP	CONTACT PLATING	SOLDER BALL
55715-001	YES	15u" (.38um) Au OVER Ni	SnPb
55715-001LF			SnAgCu LEAD FREE (4)(5)
55715-101	YES	30u" (.78um) Au OVER Ni	SnPb
55715-101LF			SnAgCu LEAD FREE (4)(5)
55715-201	YES	SEE NOTE 3	SnPb
55715-201LF			SnAgCu LEAD FREE (4)(5)



NOTES:

- MAT'L:**  
HOUSING: LCP  
CONTACT: COPPER ALLOY  
**PLATING:**  
CONTACT: (SEE TABLE ON SHEET1)  
SOLDER BALL: (SEE TABLE ON SHEET1)  
EUTECTIC SnPb OR LEAD FREE  
95.5Sn/4Ag/0.5Cu
- OVERALL BOARD-TO-BOARD STACK HEIGHT WHEN MATED TO P/N 55714  
81 POSITION 0mm PLUG. IS 4.0mm REF.
- PLATING FOR -2XX SERIES DASH NOS. MEETS THE REQUIREMENTS OF NORTEL NPS25298-2 (CENTRAL OFFICE ENVIRONMENT, 25 YEAR LIFE EXPECTANCY).
- FOR PROPER APPLICATION FOLLOW FCI APPLICATION SPECIFICATION GS-20-033 LEAD FREE SOLDER BALLS WILL NOT SOLDER PROPERLY IN A LEADED SOLDER PROCESS DUE TO A HIGHER REFLOW TEMPERATURE. LEAD FREE PRODUCT IS THEREFORE NOT BACKWARDS COMPATIBLE WITH LEADED OR SOME SOLDERING APPLICATIONS. REFERENCE FCI APPLICATION SPECIFICATION
- THIS PRODUCT MEETS EUROPEAN UNION DIRECTIVES AND OTHER COUNTRY REGULATIONS AS DESCRIBED IN GS-22-008 PRODUCT MEETING THIS DIRECTIVE IS IDENTIFIED IN THE LOT CODE NUMBER MARKED ON EACH PART BY HAVING AN "X" IN THE SEVENTH CHARACTER POSITION

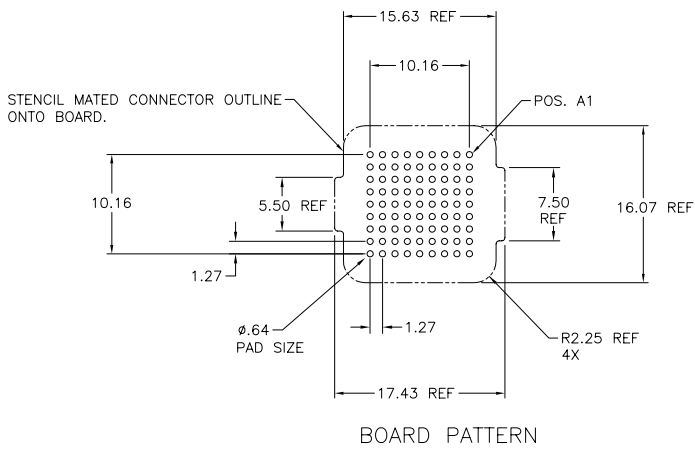
mat'l. code		surface		tolerance		projection	product family
		ASME Y14.5	ASME Y14.5	tolerances unless otherwise specified			MEG-Array
ltr	ecrn no	dr	date	angles	to	MM	title
A	V20800	DRW	4-24-02		X *3		4mm RECEPTACLE ASSY.
B	V20949	DAI	8-15-01		XX *10		9X9 = 81 POSITION
C	V03-0678	DAI	06/18/03	0° ±2'	XXX *050	scale 1:1	
D	V04-0940	VS	10/13/04	dr	D.WAUGHEN	4-0-01	dwg no
E	V06-0560	LP	2006/06/22	engr	J.KONTOS	4-9-01	sheet 1 of 3
				chr	J.KONTOS	4-9-01	size
				appd	J.KONTOS	4-9-01	A4
sheet index	revision sheet	E	E	E			type
		1	2	3			CUSTOMER Drawing



1 | 2

3

4



BOARD PATTERN

mat'l. code		surface		tolerance		projection		product family	
-		ASME Y14.5		ASME Y14.5		MM		MEG-Array	
tr	ecr no	dr	date	tolerances unless otherwise specified		MM		title	
E				X *3 XX *10 XXX *050		1:1		4mm RECEPTACLE ASSY. 9X9 = 81 POSITION	
sheet index		revision sheet		dr	D.WAUGHEN	4-0-01	FCJ		dwg no
				enr	J.KONTOS	4-9-01			55715
				chr	J.KONTOS	4-9-01			sheet 2 of 3
				appd	J.KONTOS	4-9-01			A4
								type	
								CUSTOMER Drawing	

form A4mmXLC

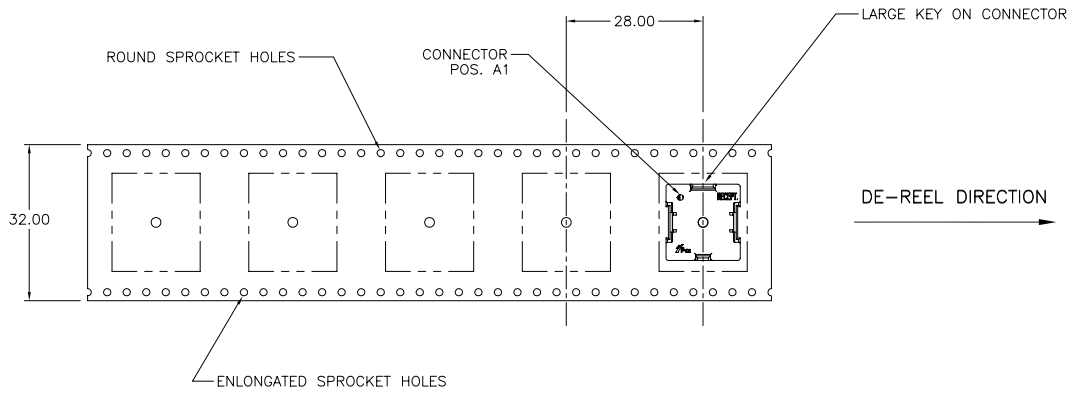
1

2

3

4

PDM: Rev:E STATUS:Released Printed: Dec 01, 2010



mat'l. code		surface		tolerance		projection		product family	
-		ASME Y14.5		ASME Y14.5		MM		MEG-Array	
ltr	ecrn no	dr	date	tolerances unless otherwise specified		MM		title	
E				angles	X +3	MM		4mm RECEPTACLE ASSY.	
				0° ±2'	XX +10	scale 1:1		9X9 = 81 POSITION	
				dr	D.WAUGHEN	4-0-01	FCJ		dwg no
				engr	J.KONTOS	4-9-01			55715
				chr	J.KONTOS	4-9-01			sheet 3 of 3
				appd	J.KONTOS	4-9-01			size A4
sheet index	revision sheet								type
									CUSTOMER Drawing