

PRODUCT No.	PICK-UP CAP	CONTACT PLATING	SOLDER BALL
55714-002	YES	15u" (.38um) Au OVER Ni	SnPb
55714-002LF			SnAgCu LEAD FREE ④⑤
55714-102	YES	30u" (.76um) Au OVER Ni	SnPb
55714-102LF			SnAgCu LEAD FREE ④⑤
55714-202	YES	SEE NOTE 3	SnPb
55714-202LF			SnAgCu LEAD FREE ④⑤

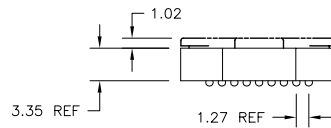
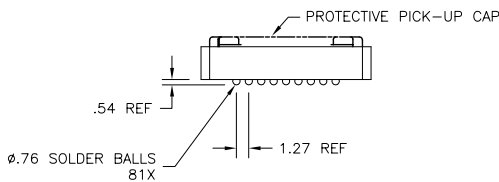
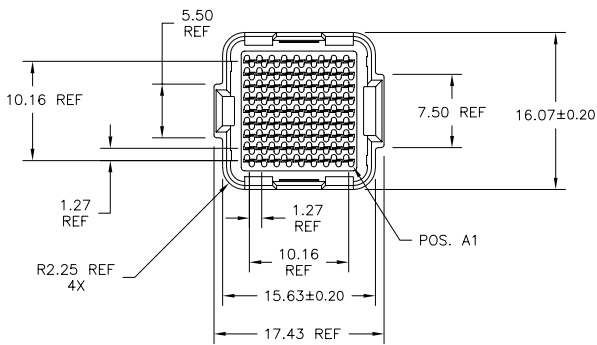
NOTES:

- MAT'L**

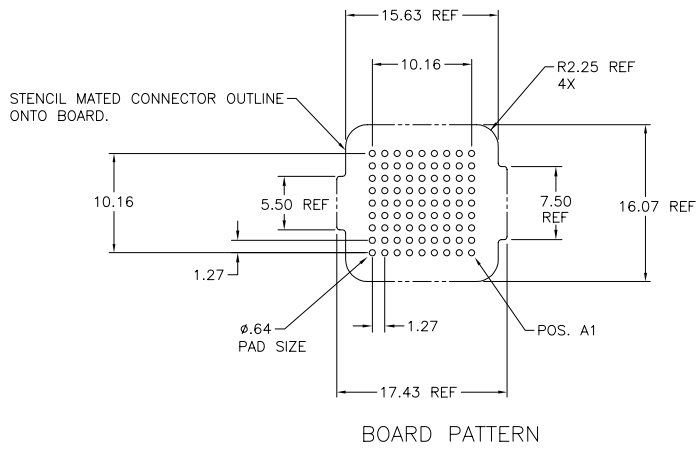
HOUSING: LCP
CONTACT: COPPER ALLOY

PLATING

CONTACT: (SEE TABLE ON SHEET1)
SOLDER BALL: (SEE TABLE ON SHEET1)
EUTECTIC SnPb OR LEAD FREE
95.5Sn/4Ag/0.5Cu
- OVERALL BOARD-TO-BOARD STACK
HEIGHT WHEN MATED TO P/N 55715
81 POSITION 4.0mm RECP.T. IS 4.0mm REF.
- PLATING FOR -2XX SERIES DASH NOS. MEETS
THE REQUIREMENTS OF NORTEL NPS25298-2
(CENTRAL OFFICE ENVIRONMENT, 25 YEAR
LIFE EXPECTANCY).
- FOR PROPER APPLICATION FOLLOW FCI APPLICATION
SPECIFICATION GS-20-033 LEAD FREE SOLDER BALLS
WILL NOT SOLDER PROPERLY IN A LEADED SOLDER PROCESS
DUE TO A HIGHER REFLOW TEMPERATURE. LEAD FREE
PRODUCT IS THEREFORE NOT BACKWARDS COMPATIBLE WITH
LEADED OR SOME SOLDERING APPLICATIONS. REFERENCE
FCI APPLICATION SPECIFICATION
- THIS PRODUCT MEETS EUROPEAN UNION DIRECTIVES AND
OTHER COUNTRY REGULATIONS AS DESCRIBED IN GS-22-008
PRODUCT MEETING THIS DIRECTIVE IS IDENTIFIED IN THE LOT
CODE NUMBER MARKED ON EACH PART BY HAVING AN "X"
IN THE SEVENTH CHARACTER POSITION

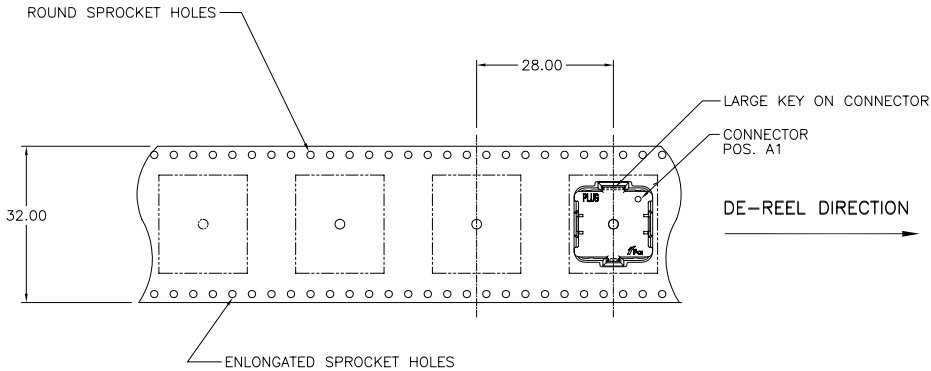


mat'l. code		surface		tolerance		projection		product family	
itr	ecr no	dr	date	ASME Y14.5	ASME Y14.5	ASME Y14.5	ASME Y14.5	title	MEG-Array
A	v20800	DAI	4-24-02	tolerances unless otherwise specified	XX *3	MM		0mm PLUG ASSY.	
B	v20949	DAI	8-15-02	angles	XX *10			9X9 = 81 POSITION	
C	v03-0678	DAI	06/18/03	0° ±2'	XXX *050	scale	1:1		
D	v04-0940	VS	10/09/04	dr	D.WAUGHEN	4-9-01		dwg no	sheet 1 of 3 size
E	v06-0560	LP	2006/07/14	engr	J.KONTOS	4-9-01		55714	A4
				chr	J.KONTOS	4-9-01			
				appd	J.KONTOS	4-9-01			
sheet	revision	E	E	E					
index	sheet	1	2	3					



BOARD PATTERN

mat'l. code		surface		tolerance		projection		product family		
-		ASME Y14.5		ASME Y14.5		MM		MEG-Array		
titr	ecn no	dr	date	tolerances unless otherwise specified		MM		title		
E				X *3 XX *10 XXX *050		scale 1:1		0mm PLUG ASSY. 9X9 = 81 POSITION		
		dr	D.WAUGHEN	4-9-01		FCI		dwg no		
		engr	J.KONTOS	4-9-01				sheet 2 of 3		
		chr	J.KONTOS	4-9-01				55714		
		appd	J.KONTOS	4-9-01				type		
								CUSTOMER Drawing		
sheet index	revision sheet									



mat'l. code		surface		tolerance		projection		product family		
-		ASME Y14.5		ASME Y14.5				MEG-Array		
ltr	ecrn no	dr	date	tolerances unless otherwise specified				title		
E				angles	X *3	MM		0mm PLUG ASSY.		
				or ±2"	XX *10	scale 1:1		9X9 = 81 POSITION		
				dr	D.WAUGHEN	4-9-01			dwg no	
				engr	J.KONTOS	4-9-01			sheet 3 of 3	size
				chr	J.KONTOS	4-9-01			55714	A4
				appd	J.KONTOS	4-9-01			type	CUSTOMER Drawing
sheet index	revision sheet									