

PRODUCT No.	PICK-UP CAP	CONTACT PLATING	SOLDER BALL
55714-002	YES	15u" (.38um) Au OVER Ni	SnPb
55714-002LF			SnAgCu LEAD FREE ④⑤
55714-102	YES	30u" (.76um) Au OVER Ni	SnPb
55714-102LF			SnAgCu LEAD FREE ④⑤
55714-202	YES	SEE NOTE 3	SnPb
55714-202LF			SnAgCu LEAD FREE ④⑤

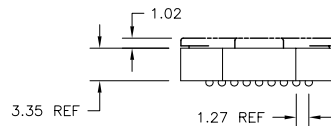
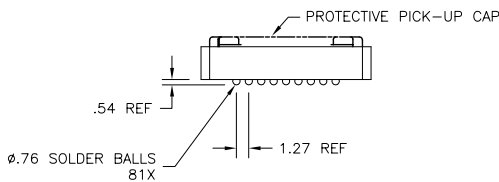
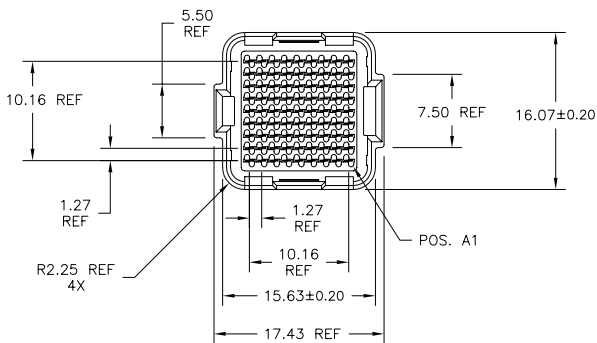
NOTES:

- MAT'L**

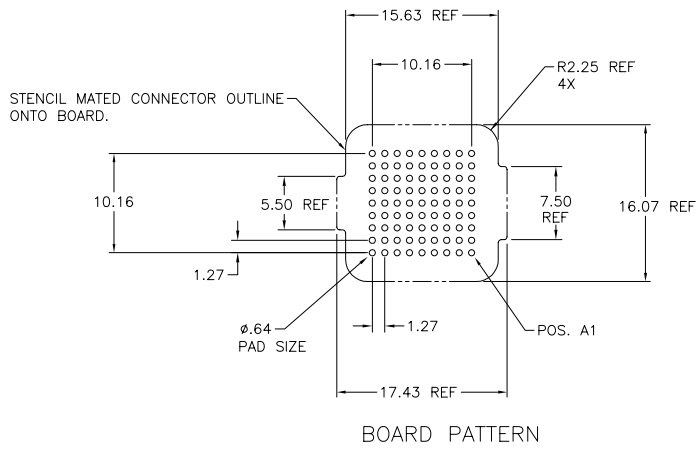
HOUSING: LCP  
CONTACT: COPPER ALLOY

**PLATING**

CONTACT: (SEE TABLE ON SHEET1)  
SOLDER BALL: (SEE TABLE ON SHEET1)  
EUTECTIC SnPb OR LEAD FREE  
95.5Sn/4Ag/0.5Cu
- OVERALL BOARD-TO-BOARD STACK  
HEIGHT WHEN MATED TO P/N 55715  
81 POSITION 4.0mm RECP.T. IS 4.0mm REF.
- PLATING FOR -2XX SERIES DASH NOS. MEETS  
THE REQUIREMENTS OF NORTEL NPS25298-2  
(CENTRAL OFFICE ENVIRONMENT, 25 YEAR  
LIFE EXPECTANCY).
- FOR PROPER APPLICATION FOLLOW FCI APPLICATION  
SPECIFICATION GS-20-033 LEAD FREE SOLDER BALLS  
WILL NOT SOLDER PROPERLY IN A LEADED SOLDER PROCESS  
DUE TO A HIGHER REFLOW TEMPERATURE. LEAD FREE  
PRODUCT IS THEREFORE NOT BACKWARDS COMPATIBLE WITH  
LEADED OR SOME SOLDERING APPLICATIONS. REFERENCE  
FCI APPLICATION SPECIFICATION
- THIS PRODUCT MEETS EUROPEAN UNION DIRECTIVES AND  
OTHER COUNTRY REGULATIONS AS DESCRIBED IN GS-22-008  
PRODUCT MEETING THIS DIRECTIVE IS IDENTIFIED IN THE LOT  
CODE NUMBER MARKED ON EACH PART BY HAVING AN "X"  
IN THE SEVENTH CHARACTER POSITION

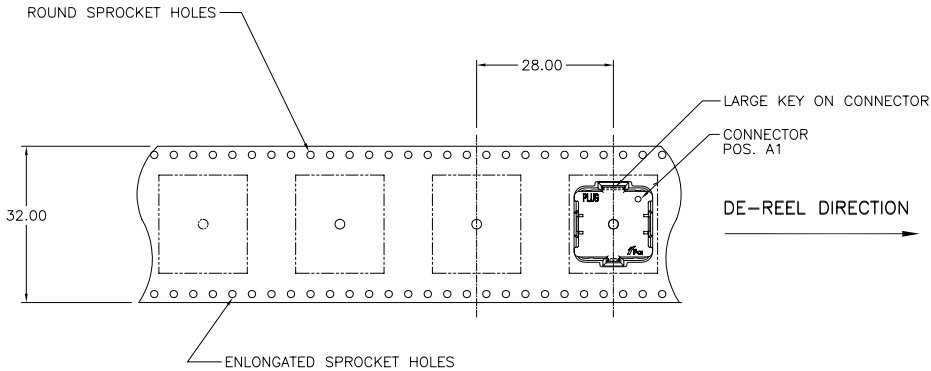


mat'l. code		surface		tolerance		projection		product family	
itr	ecr no	dr	date	ASME Y14.5	ASME Y14.5	ASME Y14.5	ASME Y14.5	title	MEG-Array
A	v20800	DAI	4-24-02	tolerances unless otherwise specified	XX *3	MM		0mm PLUG ASSY.	
B	v20949	DAI	8-15-02	angles	XX *10			9X9 = 81 POSITION	
C	v03-0678	DAI	06/18/03	0° ±2'	XXX *050	scale	1:1		
D	v04-0940	VS	10/09/04	dr	D.WAUGHEN	4-9-01		dwg no	sheet 1 of 3 size
E	v06-0560	LP	2006/07/14	engr	J.KONTOS	4-9-01		55714	A4
				chr	J.KONTOS	4-9-01			
				appd	J.KONTOS	4-9-01			
sheet	revision	E	E	E					
index	sheet	1	2	3					



BOARD PATTERN

mat'l. code		surface		tolerance		projection		product family	
-		ASME Y14.5		ASME Y14.5				MEG-Array	
ltr	ecn no	dr	date	tolerances unless otherwise specified				title	
E				angles	X #3	MM		0mm PLUG ASSY.	
				or ±2"	XX #10	scale 1:1		9X9 = 81 POSITION	
				dr	D.WAUGHEN	4-9-01			dwg no
				engr	J.KONTOS	4-9-01			sheet 2 of 3
				chr	J.KONTOS	4-9-01			55714
				appd	J.KONTOS	4-9-01			A4
sheet index	revision sheet							type CUSTOMER Drawing	



mat'l. code		surface		tolerance		projection		product family	
-		ASME Y14.5		ASME Y14.5				MEG-Array	
ltr	ecn no	dr	date	tolerances unless otherwise specified				title	
E				angles	X *3	MM		0mm PLUG ASSY.	
				or ±2"	XX *10	scale 1:1		9X9 = 81 POSITION	
				dr	D.WAUGHEN	4-9-01			dwg no
				engr	J.KONTOS	4-9-01			sheet 3 of 3
				chr	J.KONTOS	4-9-01			size
				appd	J.KONTOS	4-9-01			A4
sheet index	revision sheet							type	CUSTOMER Drawing