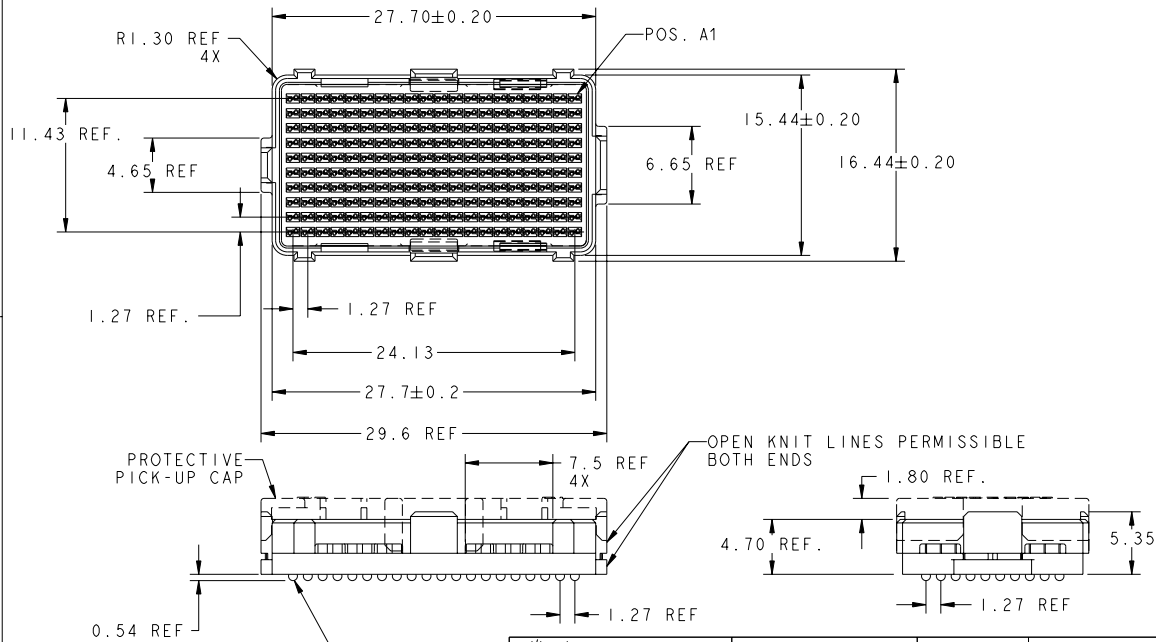


PRODUCT NO.	PICK-UP CAP	CONTACT PLATING	SOLDER BALL
55724-001	YES	15u" (.38um) Au OVER Ni	SnPb
55724-001LF			SnAgCu LEAD FREE (6)(7)
55724-101	YES	30u" (.76um) Au OVER Ni	SnPb
55724-101LF			SnAgCu LEAD FREE (6)(7)
55724-201	YES	SEE NOTE 2	SnPb
55724-201LF			SnAgCu LEAD FREE (6)(7)



Ø0.760 SOLDER BALLS
200X SEE NOTE 3

mat'l code		SEE NOTE 1		tolerances unless otherwise specified		CUSTOMER		FCJ	
lfr	ecn no.	dr	date	linear	0.X ± 0.3	COPY		www.fcjconnect.com	
A	V20982	DAI	07-18-02	0.XX ± 0.10	projection	title		6mm RECEPTACLE ASSY	
B	V21490	DAI	10-03-02	0.XXX ± 0.050	MM	size		10x20= 200 POSITION	
C	V03-0678	DAI	06-19-03	angles 0° ± 2°	scale	product family		MEG-ARRAY	
D	V03-0698	DAI	08-22-03	chr D. INGRAM 7-18-02	2:1	code		213	
E	V04-0940	VS	10/9/04	chr D. WHITING 7-18-02		sheet		1 of 4	
F	V06-0560	LP	2008/06/22	oppd D. WHITING 7-18-02		dwg no		55724	
sheet index	revision sheet	F 1	F 2	F 3	F 4	cage code		22526	



This document is the property of and embodies CONFIDENTIAL and PROPRIETARY information of FCJ. No part of the information shown on this document may be used in any way or disclosed to others without the written consent of FCJ. Copyright FCJ.

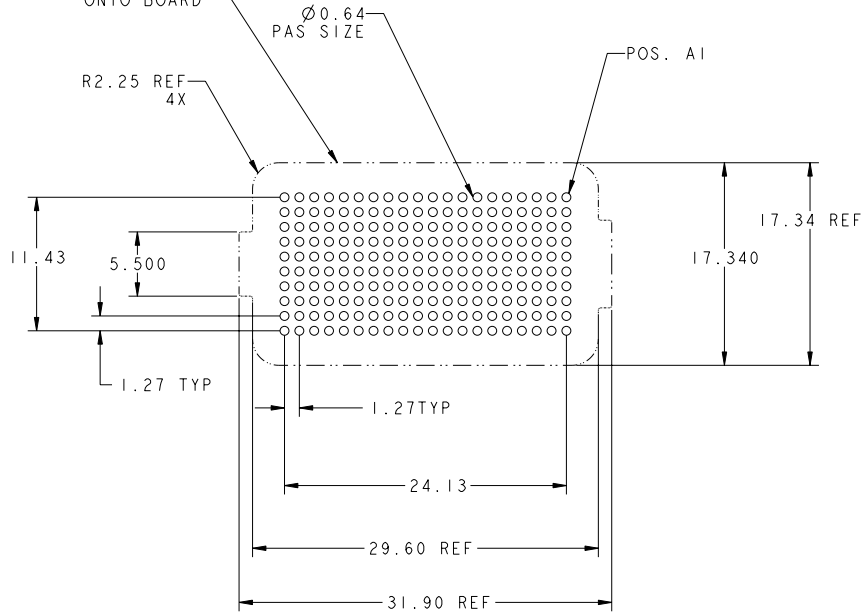
REV E - 2008-04-18

PDM: Rev:F STATUS:Released Printed: Dec 01, 2010



This document is the property of and embodies
 CONFIDENTIAL and PROPRIETARY information of FCJ.
 No part of the information shown on this
 document may be used in any way or disclosed
 to others without the written consent of FCJ.
 Copyright FCJ.

STENCIL MATED CONNECTOR OUTLINE
ONTO BOARD



BOARD PATTERN

mat'l code		SEE NOTE 1		tolerances unless otherwise specified		CUSTOMER		www.fcjconnect.com	
ltr	ecm no.	dr	date	linear	0.X ±0.3	projection	COPY	title	6mm RECEPTACLE ASSY
F					0.XX ±0.10				10x20= 200 POSITION
				angles	0.XXX ±0.050			product family	MEG-ARRAY
				dr	0° ±2°	MM	scale	size	dwg no
				enr	D.INGRAM 7-18-02	2:1	A	55724	code
				chr	D.WHITING 7-18-02				213
				oppd	D.WHITING 7-18-02				sheet
									2
sheet index	revision sheet							code code	22526

Pro/E

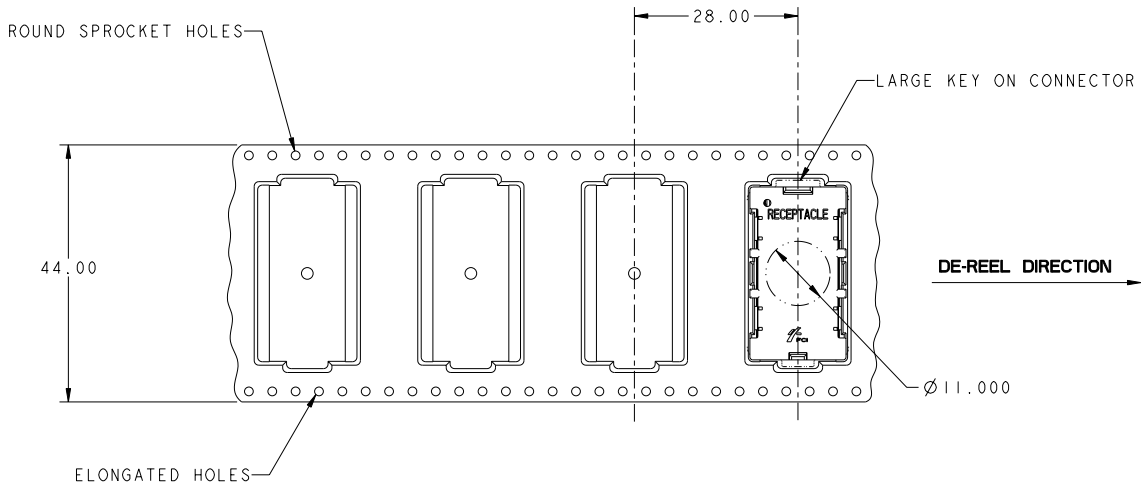
PDM: Rev:F

STATUS: Released

Printed: Dec 01, 2010



This document is the property of and embodies
 CONFIDENTIAL and PROPRIETARY information of FCJ.
 No part of the information shown on this
 document may be used in any way or disclosed
 to others without the written consent of FCJ.
 Copyright FCJ.



TAPE & REEL PACKAGING
PER EIA 481-3

mat'l code		SEE NOTE 1		tolerances unless otherwise specified		CUSTOMER		www.fcjconnect.com	
ltr	ecm no.	dr	date	linear	0.X ±0.3	projection	COPY	title 6mm RECEPTACLE ASSY	
					0.XXX ±0.10			10x20= 200 POSITION	
				angles	0° ±2°		MM	product family	MEG-ARRAY
				dr	D.INGRAM 7-18-02	scale	1:1	size	dwg no
				engr	D.WHITING 7-18-02			A	55724
				chr	D.WHITING 7-18-02				code
				oppd	D.WHITING 7-18-02				213
sheet index	revision sheet								sheet
									3

cage code 22526 4

PDM: Rev:F STATUS: **Released** Printed: Dec 01, 2010

1 | 2

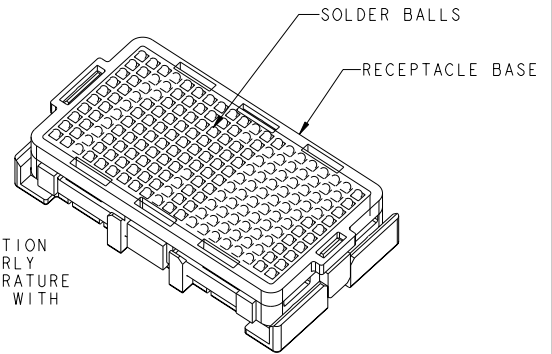
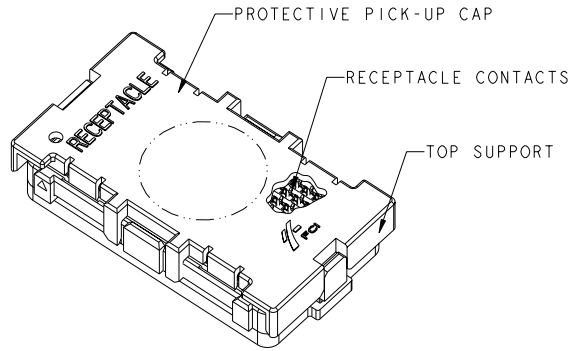
3 |

4

NOTES:

- ① MATERIAL:
HOUSING: LCP
CONTACT: COPPER ALLOY

PLATING CONTACT: SEE TABLE ON SHEET I
SOLDER BALL: SEE TABLE ON SHEET I
EUTECTIC SnPb OR LEAD FREE
95.5Sn/4Ag/0.5Cu
- ② PLATING FOR -2XX SERIES DASH NOS:
Au OVER Ni WITH SPECIAL CONTACT
GEOMETRY TO MEET REQUIREMENTS
OF TELCORDIA GR-1217-CORE:
CENTRAL OFFICE ENVIRONMENT.
- ③ SOLDER BALLS WILL NOT BE PERFECT SPHERICAL SHAPE
DUE TO REFLOW ATTACHMENT.
- 4. OVERALL BOARD-TO-BOARD STACK
HEIGHT WHEN MATED TO:
200 POSITION 0.0mm PLUG (84516) IS 6.0 REF.
200 POSITION 6.0mm PLUG (84530) IS 12.0 REF.
- 5. SEE SK-47284 FOR MATING RESTRICTIONS
WITH EARLIER DESIGN VERSIONS.
- ⑥ FOR PROPER APPLICATION FOLLOW FCI APPLICATION SPECIFICATION
GS-20-033. LEAD FREE SOLDER BALLS WILL NOT SOLDER PROPERLY
IN A LEADED SOLDER PROCESS DUE TO A HIGHER REFLOW TEMPERATURE
LEAD FREE PRODUCT IS THEREFORE NOT BACKWARDS COMPATIBLE WITH
LEADED OR SOME SOLDERING APPLICATIONS. REFERENCE FCI
FCI APPLICATION SPECIFICATION
- ⑦ THIS PRODUCT MEETS EUROPEAN UNION DIRECTIVE AND OTHER
COUNTRY REGULATIONS AS DESCRIBED IN GS-22-008. PRODUCT
MEETING THIS DIRECTIVE IS IDENTIFIED IN THE LOT CODE
NUMBER MARKED ON EACH PART BY HAVING AN "X" IN THE SEVENTH
CHARACTER POSITION



mat'l code				SEE NOTE I	tolerances unless otherwise specified	CUSTOMER	FCJ www.fciconnect.com		
ltr	ecm no.	dr	date	linear	0.X ±0.3	COPY	title	6.0mm RECPT. ASSY	
F				angles	0.XX ±0.10	projection	10X20= 200 POS.		
				dr	0.XXX ±0.050	 MM scale 1:1	product family	MEG-Array	
				engr	0° ±2°		size	dwg no	213
				chr	D. INGRAM 7-18-02		A	55724	sheet
				oppd	D.WHITING 07-18-02				4
sheet index	revision sheet				D.WHITING 7-18-02		cage code	22526	

1 | 2

3 |

4

Pro/E

PDM: Rev:F

STATUS: Released

Printed: Dec 01, 2010



This document is the property of and embodies
 CONFIDENTIAL and PROPRIETARY information of FCI.
 No part of the information shown on this
 document may be used in any way or disclosed
 to others without the written consent of FCI.
 Copyright FCI.

REV E - 2006-04-18