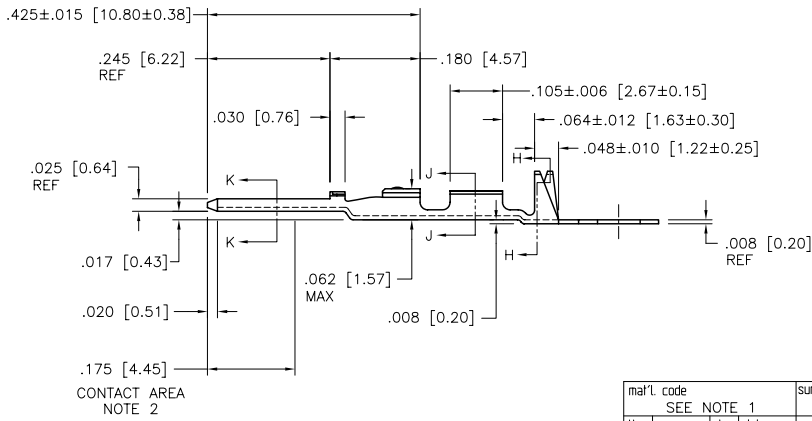
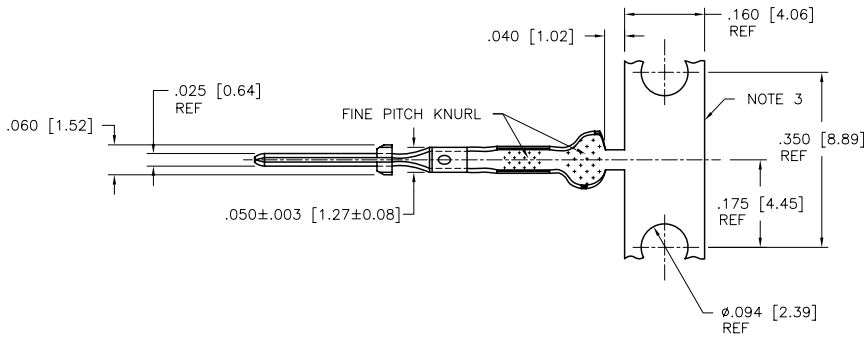


Copyright FCJ



FCJconnect.com

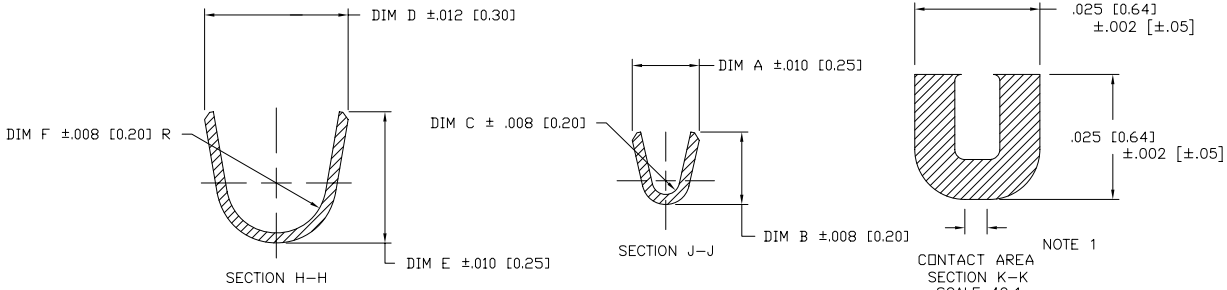
PRODUCT NUMBER  
SEE SHEET 2



mat'l. code		surface		tolerance		projection		product family		
SEE NOTE 1		✓				INCH/MM		PV TERMINAL		
ltr	ec'n no	dr	date	tolerances unless otherwise specified		INCH/MM		title		
M	v41701	LSS	1994-12-22	XX +01/-X+3				C.T.W. MALE PIN		
N	v04-0056	VS	2004-02-17	XXX +005/-XX+13						
P	v05-0254	HTB	2005-03-18	0' ±2'		scale 4:1				
R	v06-0583	HTB	2006-06-27	dr	M.CLOUSER	1994-08-22			sheet 1 of 3	
S	v08-0114	HTB	2008-04-01	engr	T.HANNA	1994-08-22			dwg no	47791
				chr	T.HANNA	1994-08-22			size	A4
				appd	T.HANNA	1994-08-22	type		CUSTOMER Drawing	
sheet index	revision sheet	s	s	s						
		1	2	3						

form A4mmXLC

PRODUCT NUMBER		AWG	DIM A	DIM B	DIM C	DIM D	DIM E	DIM F
LEFT - RIGHT	RIGHT - LEFT							
47791-003	47791-000	O B S O L E T E						
47791-003LF	47791-000LF	28-32	.054 [1.37]	.058 [1.47]	.011 [0.28]	.115 [2.92]	.105 [2.67]	.040 [1.02]
47792-003	47792-000	O B S O L E T E						
47792-003LF	47792-000LF	22-26	.070 [1.78]	.065 [1.65]	.017 [0.43]	.139 [3.53]	.120 [3.05]	.050 [1.27]
47793-003	47793-000	O B S O L E T E						
47793-003LF	47793-000LF	18-20	.104 [2.64]	.104 [2.64]	.021 [0.53]	.139 [3.53]	.120 [3.05]	.050 [1.27]



NOTES:

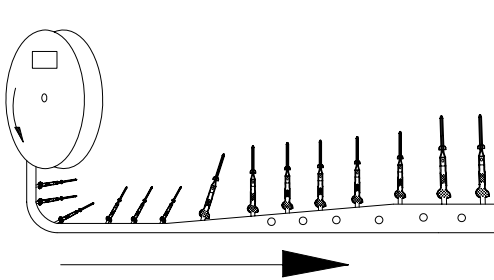
- ① MATERIAL: C2600 CARTRIDGE BRASS, 3/4 HD.
- ② PLATING: ELECTRODEPOSITED GOLD- 50u"/1.27u AVG. THICKNESS IN CONTACT AREA. REMAINDER GOLD FLASH. UNDERPLATE 50u"/1.27u NICKEL
- ③ FOR MANUFACTURING PURPOSES ONLY.
4. TERMINAL MAY BE USED WITH MINI LATCH HOUSING.
5. APPLICABLE SPECIFICATION:  
A. BUS-12-098 PRODUCT SPECIFICATION.  
B. TA-211 CRIMP SPECIFICATION.
- ⑥ PRODUCT MEETS EUROPEAN UNION DIRECTIVES AND OTHER COUNTRY REGULATIONS AS DESCRIBED IN GS-22-008.
7. THIS PRODUCT IS NOT INTENDED TO BE EXPOSED TO MANUFACTURING SOLDER PROCESSES.

mat'l. code	SEE NOTE 1	surface	tolerance	projection	product family
ltr	ecrn no	dr	date	INCH/MM	PV TERMINAL
s				scale 10:1	title
					C.T.W. MALE PIN
					dwg no
					47791
					sheet 2 of 3
					size A4
					type
					CUSTOMER Drawing
sheet index	revision sheet				

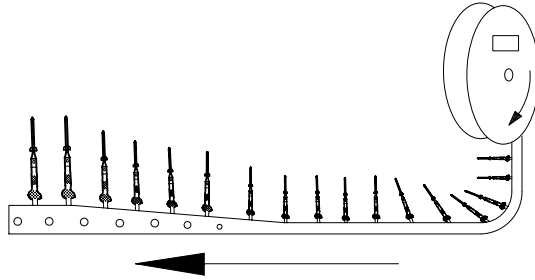
Copyright FCJ



PRODUCT NUMBER  
SEE SHEET 2



Unreeling Direction  
Left to Right Into  
Applicator



Unreeling Direction  
Right to Left Into  
Applicator

mat'l. code		surface		tolerance	projection	product family		
SEE NOTE 1		✓				PV TERMINAL		
lfr	ec'n no	dr	date	tolerances unless otherwise specified		title		
s				angles	XXX+01/XX+3	C.T.W. MALE PIN		
				flatness	XXX+005/XXX+18	INCH		
				0° ±2'	XXXX+0020/XXX+051	scale 1:1		
		dr	H. SUNDY	2004-02-17		dwg no	sheet 3 of 3	size
		engr	H. SUNDY	2004-02-17		47791	A4	
		chr	H. SUNDY	2004-02-17		type CUSTOMER Drawing		
		appd	H. SUNDY	2004-02-17				
sheet index	revision sheet							

form: A4mmXc