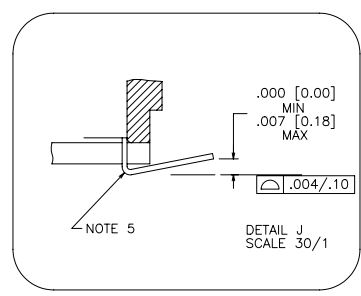
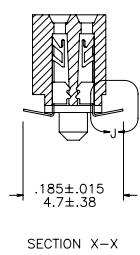
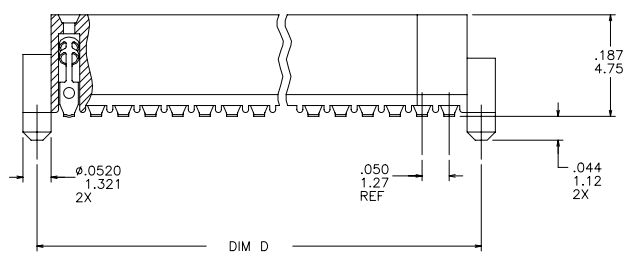
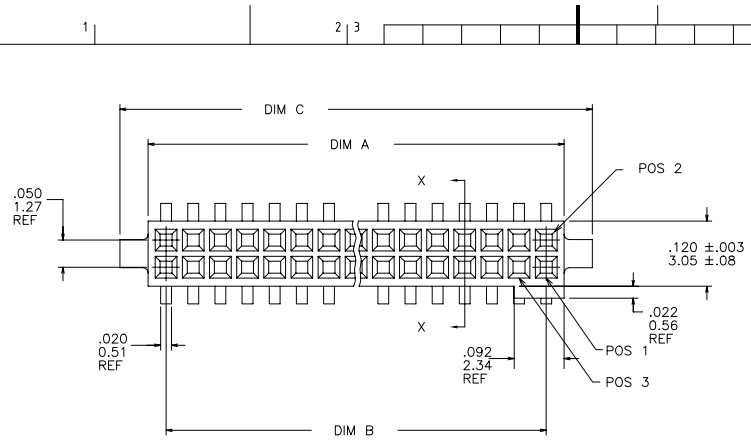


PRODUCT NUMBER
SEE TABLE



mat'l. code		surface	tolerance	projection	product family
-		ISO 1302	ISO 406 ISO 1101	1st angle	RIB CAGE
tolerances unless otherwise specified				INCH/MM	title
lfr	ecn no	dr	date	linear	.050cc VERT. SMT. W/LOC. & POL. FEATURE
AA	M05-0123	MHT	6/06/05	XXXX.01/XXXX.03	scale 1:1
AB	M06-0284	AEA	7/27/06	XXXX.005/XXXX.013	dwg no
AC	M08-0053	CMR	2/27/08	XXXX.000/XXXX.005	sheet 1 of 3
AD	M09-0058	CMR	4/06/09	dr	M. CLOUSER 6/26/91
AE	M09-0071	MHT	4/30/09	engr	B. BARUFFALO 6/26/91
AF	N10-0174	YOH	6/17/10	chr	B. BARUFFALO 6/26/91
sheet		revision	AF	AF	type
index	sheet	1	2	3	Product Customer Drawing

PDM: Rev:AF STATUS:Released Printed: Jun 26, 2010

PRODUCT NO. NOTE 9	SIZE	DIM A	DIM B	DIM C	DIM D	SPECIAL PACKAGING	TAPE WIDTH PITCH	PIECES PER REEL
87024-605	2 X 5	.266/6.756	.200/5.08	.370/9.398	.3200/8.128	NOTE 6	24mm 12mm	750
-610	2 X 10	.516/13.106	.450/11.43	.620/15.748	.5700/14.478	NOTE 6	24mm 12mm	750
-610P	2 X 10	.516/13.106	.450/11.43	.620/15.748	.5700/14.478	NOTE 8	24mm 16mm	400
-615	2 X 15	.766/19.456	.700/17.78	.870/22.098	.8200/20.828	NOTE 6	44mm 12mm	500
-620	2 X 20	1.016/25.806	.950/24.13	1.120/28.448	1.0700/27.178	NOTE 6 & 7	44mm 12mm	500
-625	2 X 25	1.266/32.156	1.200/30.48	1.370/34.798	1.3200/33.528	NOTE 6	56mm 12mm	500
-630	2 X 30	1.516/38.506	1.450/36.83	1.620/41.148	1.5700/39.878	NOTE 6 & 7	56mm 12mm	500
-635	2 X 35	1.766/44.856	1.700/43.18	1.870/47.498	1.8200/46.228	NOTE 6	72mm 12mm	500
-640	2 X 40	2.016/51.206	1.950/49.53	2.120/53.848	2.0700/52.578	NOTE 6 & 7	72mm 12mm	500
-645	2 X 45	2.266/57.556	2.200/55.88	2.370/60.198	2.3200/58.928	NOTE 6	72mm 12mm	500
87024-650	2 X 50	2.516/63.906	2.450/62.23	2.620/66.548	2.5700/65.278	NOTE 6 & 7	88mm 12mm	500

NOTES:

- ① HOUSING MATERIAL:
LCP GLASS FILLED FLAME RETARDANT PER UL 94V-0
COLOR: NATURAL
- ② TERMINAL MATERIAL: BeCu
- ③ TERMINAL PLATING:
30u"/.76um MIN HARD GOLD OVER Ni ON CONTACT ZONES,
100u"/2.54um MIN TIN OVER Ni IN SOLDERING ZONES,
OTHERWISE GOLD FLASH OR UNPLATED.
- 4 APPLICATION INFORMATION:
A. RECOMMENDED MOUNTING PAD PATTERN IS
SHOWN IN FIGURE "A".
B. MATING PINS TO BE .0176/.447 TO .0181/.459 DIA.
C. MATING PIN TIPS TO BE IN TRUE POSITION TO MATING
GRID WITHIN .006/.15 DIA.
D. SUGGESTED MATING PIN LENGTH .130/3.30
±.010/.25.
- ⑤ LEAD TIPS TO BE ABOVE HEEL UP TO .007/0.18 MAX.
COPLANARITY TO BE MEASURED AT LOWEST POINT (HEEL).
- ⑥ ADD "TR" TO END OF DASH NUMBER FOR TAPE AND
REEL PACKAGING WITH CAP.
TOOLED ONLY FOR NOTED CONNECTORS.
- ⑦ ADD "CT" TO END OF DASH NUMBER FOR CONNECTOR WITH CAP FOR
VACUUM PICKUP IN TUBE.
- ⑧ CUSTOMER SPECIAL, TAPE AND REEL PACKAGING, TOOLED
ONLY FOR NOTED CONNECTOR.
- ⑨ ADD "LF" SUFFIX AT THE END OF PART NUMBER FOR LEAD FREE OPTION.
10. IF LF P/N THE PRODUCT MEETS EUROPEAN UNION DIRECTIVES AND OTHER
COUNTRY REGULATION AS DESCRIBED IN GS-22-008.
11. THE HOUSING WILL WITHSTAND EXPOSURE TO 260°C PEAK TEMPERATURE
FOR 20 SECONDS IN A CONVECTION, INFRA-RED OR VAPOR PHASE REFLOW
OVEN. SEE APPLICATION NOTES/PROCEDURES IF THEY ARE AVAILABLE.

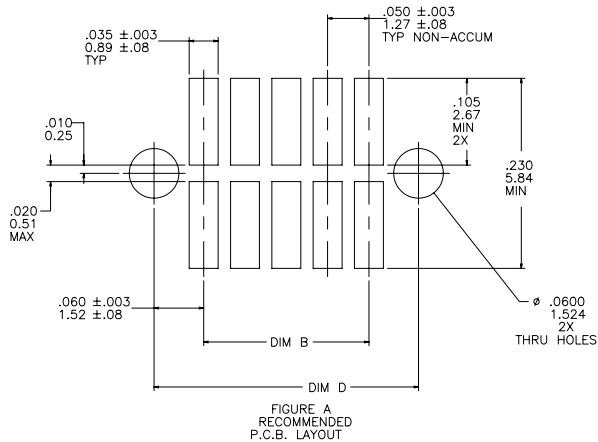


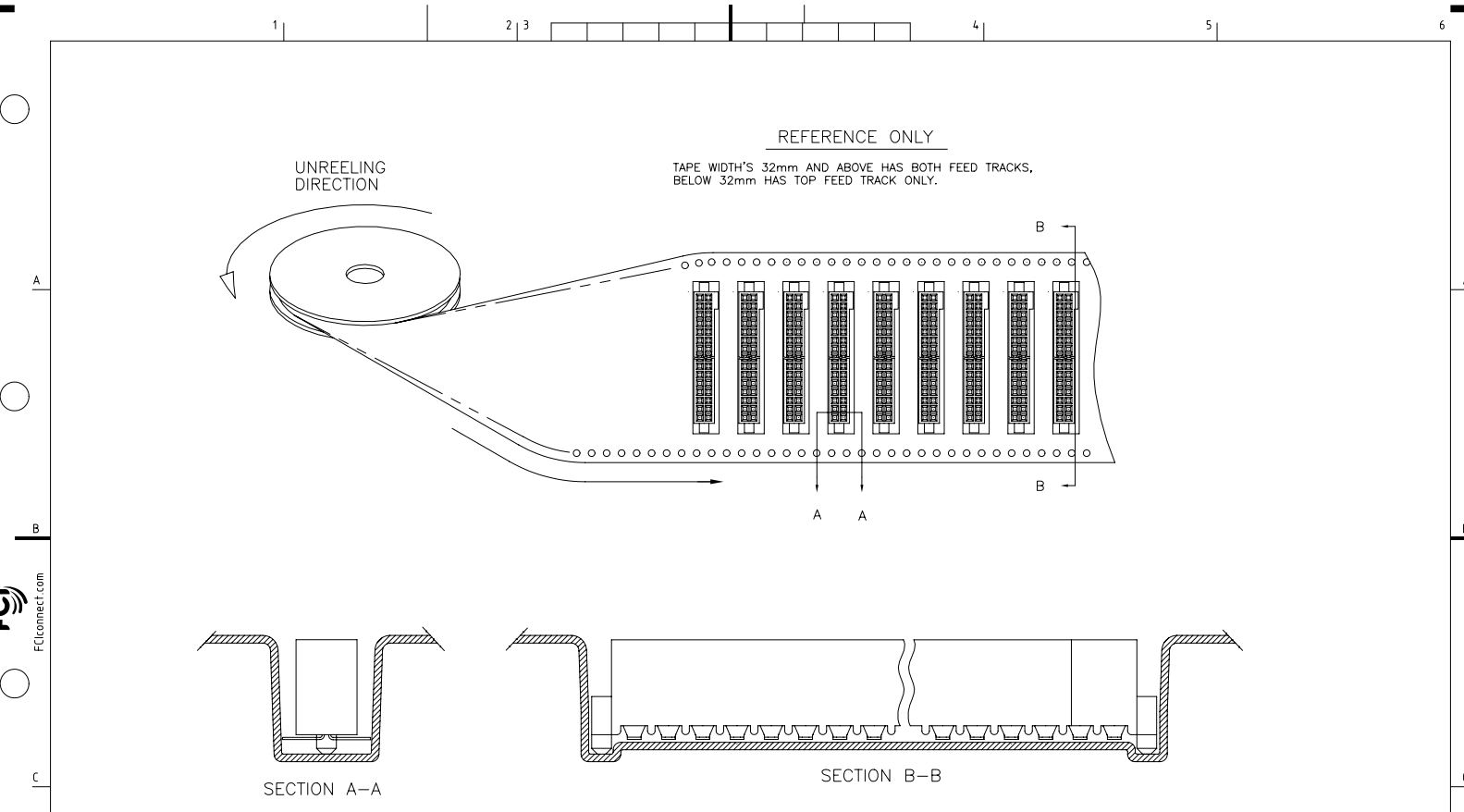
FIGURE A
RECOMMENDED
P.C.B. LAYOUT

mat'l. code	surface ISO 1302	tolerance ISO 406 ISO 1101	projection	product family
lfr	ecn no	dr	date	tolerances unless otherwise specified
AF				XXXX-01/XXXX.3 XXXX-005/XXXX.13 XXXX-000/XXXX.051
angles	linear	linear	linear	INCH/MM
dr	M. CLOUSER	6/26/91	scale	1:1
enr	B. BARUFFALO	6/26/91	product family RIB CAGE	
chr	B. BARUFFALO	6/26/91	title .050cc VERT. SMT. W/LOC. & POL. FEATURE	
appd	B. BARUFFALO	6/26/91	dwg no 87024	
sheet index	revision sheet		type Product Customer Drawing	
			sheet 2 of 3 size A3	

PDM: Rev:AF

STATUS: Released

Printed: Jun 26, 2010



REFERENCE ONLY

TAPE WIDTH'S 32mm AND ABOVE HAS BOTH FEED TRACKS,
BELOW 32mm HAS TOP FEED TRACK ONLY.

SECTION A-A

SECTION B-B

mat'l. code		surface		tolerance		projection		product family	
-		ISO 1302		ISO 406 ISO 1101				RIB CAGE	
ttr		ecn no		dr		date		title	
AF								.050cc VERT. SMT. W/LOC. & POL. FEATURE	
		angles		linear		INCH/MM		scale 1:1	
				XXXL.01/XXXL.03				dwg no	
		dr		M. CLOUSER		6/26/91		sheet 3 of 3	
		enr		B. BARUFFALO		6/26/91		size A3	
		chr		B. BARUFFALO		6/26/91		87024	
		appd		B. BARUFFALO		6/26/91		type Product Customer Drawing	
sheet index		revision sheet							

PDM: ~~Rev:AF~~ STATUS: **Released** Printed: Jun 26, 2010 6

FCJ
FCJconnect.com
Copyright FCJ