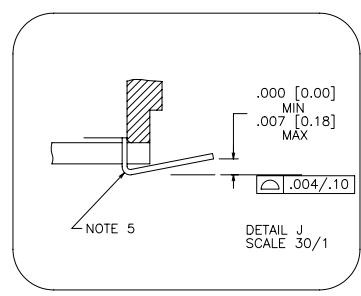
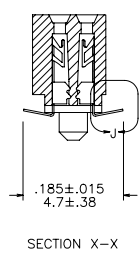
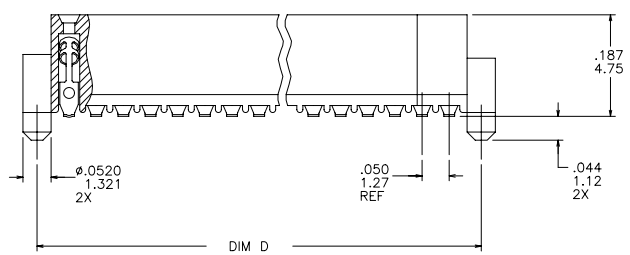
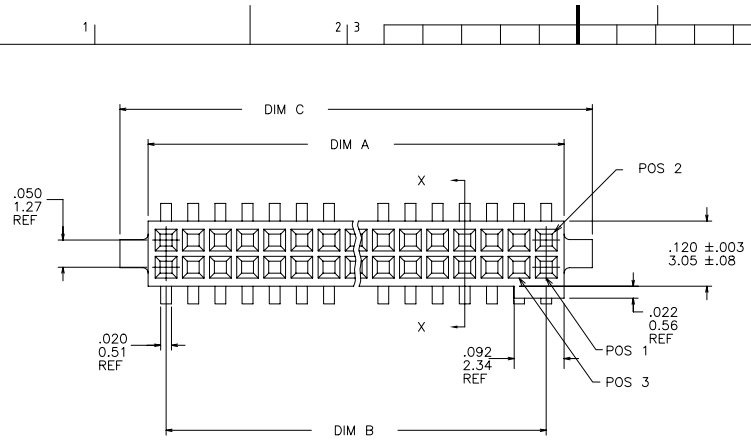


PRODUCT NUMBER
SEE TABLE



mat'l. code		surface		tolerance		projection		product family	
-		ISO 1302		ISO 406 ISO 1101				RIB CAGE	
itr		ecn no		date		tolerances unless otherwise specified		title	
AA	M05-0123	MHT	6/06/05	angles	linear	XXXL01/XXXL03	INCH/MM	.050cc VERT. SMT. W/LOC. & POL. FEATURE	
AB	M06-0284	AEA	7/27/06	linear	XXXL005/XXXL013	XXXL000/XXXL005	scale 1:1	dwg no 87024 sheet 1 of 3 size A3	
AC	M08-0053	CMR	2/27/08	ozz	XXXL000/XXXL005	XXXL000/XXXL005	scale 1:1	type Product Customer Drawing	
AD	M09-0058	CMR	4/06/09	dr	M. CLOUSER	6/26/91			
AE	M09-0071	MHT	4/30/09	enqr	B. BARUFFALO	6/26/91			
AF	N10-0174	YOH	6/17/10	chr	B. BARUFFALO	6/26/91			
sheet		revision		appd		appd			
index		sheet		sheet		sheet			
		AF		AF		AF			
		1		2		3			

PDM: Rev:AF STATUS:Released Printed: Jun 26, 2010

PRODUCT NO. NOTE 9	SIZE	DIM A	DIM B	DIM C	DIM D	SPECIAL PACKAGING	TAPE WIDTH PITCH	PIECES PER REEL
87024-605	2 X 5	.266/6.756	.200/5.08	.370/9.398	.3200/8.128	NOTE 6	24mm 12mm	750
-610	2 X 10	.516/13.106	.450/11.43	.620/15.748	.5700/14.478	NOTE 6	24mm 12mm	750
-610P	2 X 10	.516/13.106	.450/11.43	.620/15.748	.5700/14.478	NOTE 8	24mm 16mm	400
-615	2 X 15	.766/19.456	.700/17.78	.870/22.098	.8200/20.828	NOTE 6	44mm 12mm	500
-620	2 X 20	1.016/25.806	.950/24.13	1.120/28.448	1.0700/27.178	NOTE 6 & 7	44mm 12mm	500
-625	2 X 25	1.266/32.156	1.200/30.48	1.370/34.798	1.3200/33.528	NOTE 6	56mm 12mm	500
-630	2 X 30	1.516/38.506	1.450/36.83	1.620/41.148	1.5700/39.878	NOTE 6 & 7	56mm 12mm	500
-635	2 X 35	1.766/44.856	1.700/43.18	1.870/47.498	1.8200/46.228	NOTE 6	72mm 12mm	500
-640	2 X 40	2.016/51.206	1.950/49.53	2.120/53.848	2.0700/52.578	NOTE 6 & 7	72mm 12mm	500
-645	2 X 45	2.266/57.556	2.200/55.88	2.370/60.198	2.3200/58.928	NOTE 6	72mm 12mm	500
87024-650	2 X 50	2.516/63.906	2.450/62.23	2.620/66.548	2.5700/65.278	NOTE 6 & 7	88mm 12mm	500

NOTES:

- ① HOUSING MATERIAL:
LCP GLASS FILLED FLAME RETARDANT PER UL 94V-0
COLOR: NATURAL
- ② TERMINAL MATERIAL: BeCu
- ③ TERMINAL PLATING:
30u"/.76um MIN HARD GOLD OVER Ni ON CONTACT ZONES,
100u"/2.54um MIN TIN OVER Ni IN SOLDERING ZONES,
OTHERWISE GOLD FLASH OR UNPLATED.
- 4 APPLICATION INFORMATION:
A. RECOMMENDED MOUNTING PAD PATTERN IS
SHOWN IN FIGURE "A".
B. MATING PINS TO BE .0176/.447 TO .0181/.459 DIA.
C. MATING PIN TIPS TO BE IN TRUE POSITION TO MATING
GRID WITHIN .006/.15 DIA.
D. SUGGESTED MATING PIN LENGTH .130/3.30
±.010/.25.
- ⑤ LEAD TIPS TO BE ABOVE HEEL UP TO .007/0.18 MAX.
COPLANARITY TO BE MEASURED AT LOWEST POINT (HEEL).
- ⑥ ADD "TR" TO END OF DASH NUMBER FOR TAPE AND
REEL PACKAGING WITH CAP.
TOOLED ONLY FOR NOTED CONNECTORS.
- ⑦ ADD "CT" TO END OF DASH NUMBER FOR CONNECTOR WITH CAP FOR
VACUUM PICKUP IN TUBE.
- ⑧ CUSTOMER SPECIAL, TAPE AND REEL PACKAGING, TOOLED
ONLY FOR NOTED CONNECTOR.
- ⑨ ADD "LF" SUFFIX AT THE END OF PART NUMBER FOR LEAD FREE OPTION.
10. IF LF P/N THE PRODUCT MEETS EUROPEAN UNION DIRECTIVES AND OTHER
COUNTRY REGULATION AS DESCRIBED IN GS-22-008.
11. THE HOUSING WILL WITHSTAND EXPOSURE TO 260°C PEAK TEMPERATURE
FOR 20 SECONDS IN A CONVECTION, INFRA-RED OR VAPOR PHASE REFLOW
OVEN. SEE APPLICATION NOTES/PROCEDURES IF THEY ARE AVAILABLE.

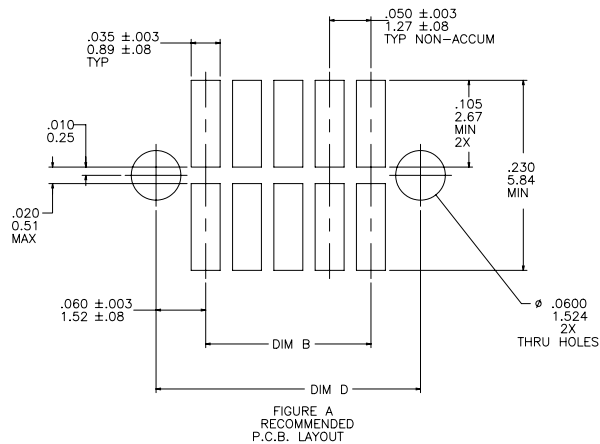
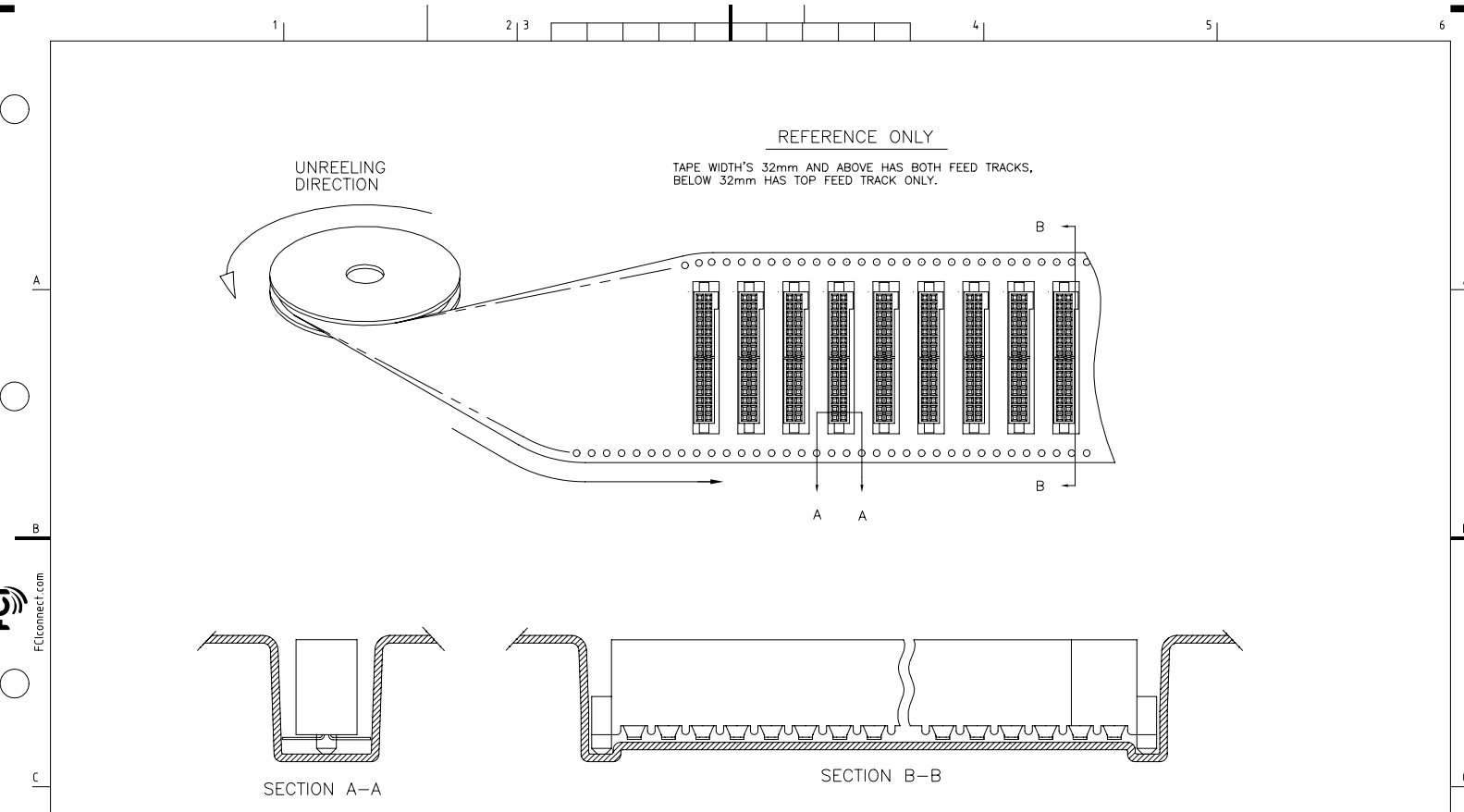


FIGURE A
RECOMMENDED
P.C.B. LAYOUT

mat'l. code	surface ISO 1302	tolerance ISO 406 ISO 1101	projection	product family
lfr	ecn no	dr	date	RIB CAGE
AF				title
angles	linear	linear	linear	.050cc VERT. SMT. W/LOC. & POL. FEATURE
dr	M. CLOUSER	6/26/91	scale 1:1	dwg no
engr	B. BARUFFALO	6/26/91	FCj	87024
chr	B. BARUFFALO	6/26/91	type	Product Customer Drawing
appd	B. BARUFFALO	6/26/91	sheet	2 of 3
sheet index	revision sheet		size	A3

PDM: Rev:AF STATUS: Released Printed: Jun 26, 2010 6



REFERENCE ONLY

TAPE WIDTH'S 32mm AND ABOVE HAS BOTH FEED TRACKS,
BELOW 32mm HAS TOP FEED TRACK ONLY.

SECTION A-A

SECTION B-B

mat'l. code		surface		tolerance		projection		product family	
-		ISO 1302		ISO 406 ISO 1101				RIB CAGE	
lfr		ecn no		dr		date		title	
AF								.050cc VERT. SMT. W/LOC. & POL. FEATURE	
		angles		linear		INCH/MM		scale 1:1	
				XXX.X/XXX.X				dwg no	
		dr		M. CLOUSER		6/26/91		sheet 3 of 3	
		enr		B. BARUFFALO		6/26/91		size	
		chr		B. BARUFFALO		6/26/91		A3	
		appd		B. BARUFFALO		6/26/91		type	
								Product Customer Drawing	
sheet index		revision sheet							

PDM: **Rev:AF** STATUS: **Released** Printed: Jun 26, 2010 6

Copyright FCJ
FCJconnect.com