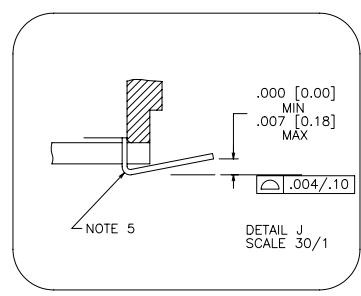
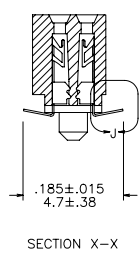
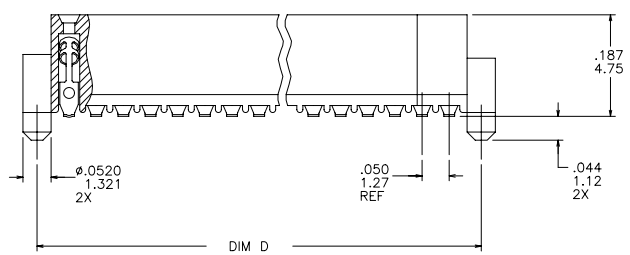
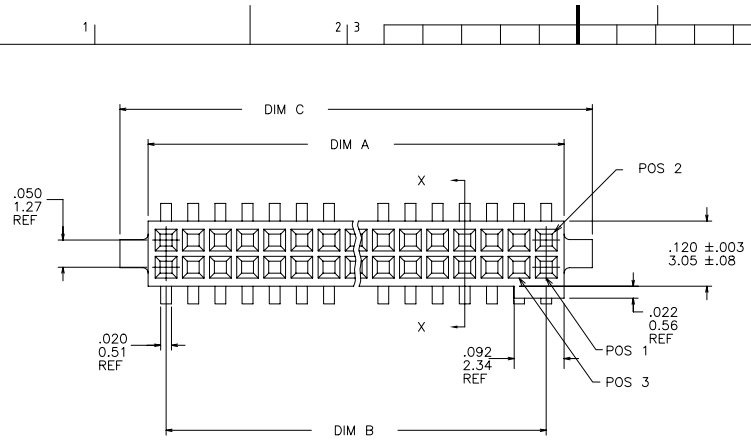


PRODUCT NUMBER
SEE TABLE



| | | | | | | | | | |
|-------------|----------|----------|---------|---------------------|-----------------|---------------------------------------|--------------------------|--|--|
| mat'l. code | | surface | | tolerance | | projection | | product family | |
| - | | ISO 1302 | | ISO 406 ISO 1101 | | | | RIB CAGE | |
| itr | | ecn no | | date | | tolerances unless otherwise specified | | title | |
| AA | M05-0123 | MHT | 6/06/05 | angles | linear | XXX.01/XXX.03 | INCH/MM | .050cc VERT. SMT. W/LOC. & POL. FEATURE | |
| AB | M06-0284 | AEA | 7/27/06 | linear | XXX.005/XXX.013 | scale 1:1 | | | |
| AC | M08-0053 | CMR | 2/27/08 | ozz | XXX.000/XXX.005 | | | | |
| AD | M09-0058 | CMR | 4/06/09 | dr | M. CLOUSER | 6/26/91 | | | |
| AE | M09-0071 | MHT | 4/30/09 | enqr | B. BARUFFALO | 6/26/91 | dwg no | | |
| AF | N10-0174 | YOH | 6/17/10 | chr | B. BARUFFALO | 6/26/91 | sheet 1 of 3 | | |
| sheet | | revision | | appd | | | | size | |
| index | sheet | AF | AF | B. BARUFFALO | B. BARUFFALO | 6/26/91 | A3 | | |
| | | 1 | 2 | | | | type | | |
| | | | | | | | Product Customer Drawing | | |

PDM: Rev:AF STATUS:Released Printed: Jun 26, 2010

| PRODUCT NO. NOTE 9 | SIZE | DIM A | DIM B | DIM C | DIM D | SPECIAL PACKAGING | TAPE WIDTH PITCH | PIECES PER REEL |
|-----------------------|--------|--------------|-------------|--------------|---------------|----------------------|------------------------|--------------------|
| 87024-605 | 2 X 5 | .266/6.756 | .200/5.08 | .370/9.398 | .3200/8.128 | NOTE 6 | 24mm 12mm | 750 |
| -610 | 2 X 10 | .516/13.106 | .450/11.43 | .620/15.748 | .5700/14.478 | NOTE 6 | 24mm 12mm | 750 |
| -610P | 2 X 10 | .516/13.106 | .450/11.43 | .620/15.748 | .5700/14.478 | NOTE 8 | 24mm 16mm | 400 |
| -615 | 2 X 15 | .766/19.456 | .700/17.78 | .870/22.098 | .8200/20.828 | NOTE 6 | 44mm 12mm | 500 |
| -620 | 2 X 20 | 1.016/25.806 | .950/24.13 | 1.120/28.448 | 1.0700/27.178 | NOTE 6 & 7 | 44mm 12mm | 500 |
| -625 | 2 X 25 | 1.266/32.156 | 1.200/30.48 | 1.370/34.798 | 1.3200/33.528 | NOTE 6 | 56mm 12mm | 500 |
| -630 | 2 X 30 | 1.516/38.506 | 1.450/36.83 | 1.620/41.148 | 1.5700/39.878 | NOTE 6 & 7 | 56mm 12mm | 500 |
| -635 | 2 X 35 | 1.766/44.856 | 1.700/43.18 | 1.870/47.498 | 1.8200/46.228 | NOTE 6 | 72mm 12mm | 500 |
| -640 | 2 X 40 | 2.016/51.206 | 1.950/49.53 | 2.120/53.848 | 2.0700/52.578 | NOTE 6 & 7 | 72mm 12mm | 500 |
| -645 | 2 X 45 | 2.266/57.556 | 2.200/55.88 | 2.370/60.198 | 2.3200/58.928 | NOTE 6 | 72mm 12mm | 500 |
| 87024-650 | 2 X 50 | 2.516/63.906 | 2.450/62.23 | 2.620/66.548 | 2.5700/65.278 | NOTE 6 & 7 | 88mm 12mm | 500 |

NOTES:

- ① HOUSING MATERIAL:
LCP GLASS FILLED FLAME RETARDANT PER UL 94V-0
COLOR: NATURAL
- ② TERMINAL MATERIAL: BeCu
- ③ TERMINAL PLATING:
30u"/.76um MIN HARD GOLD OVER Ni ON CONTACT ZONES,
100u"/2.54um MIN TIN OVER Ni IN SOLDERING ZONES,
OTHERWISE GOLD FLASH OR UNPLATED.
- 4 APPLICATION INFORMATION:
A. RECOMMENDED MOUNTING PAD PATTERN IS
SHOWN IN FIGURE "A".
B. MATING PINS TO BE .0176/.447 TO .0181/.459 DIA.
C. MATING PIN TIPS TO BE IN TRUE POSITION TO MATING
GRID WITHIN .006/.15 DIA.
D. SUGGESTED MATING PIN LENGTH .130/3.30
±.010/.25.
- ⑤ LEAD TIPS TO BE ABOVE HEEL UP TO .007/0.18 MAX.
COPLANARITY TO BE MEASURED AT LOWEST POINT (HEEL).
- ⑥ ADD "TR" TO END OF DASH NUMBER FOR TAPE AND
REEL PACKAGING WITH CAP.
TOOLED ONLY FOR NOTED CONNECTORS.
- ⑦ ADD "CT" TO END OF DASH NUMBER FOR CONNECTOR WITH CAP FOR
VACUUM PICKUP IN TUBE.
- ⑧ CUSTOMER SPECIAL, TAPE AND REEL PACKAGING, TOOLED
ONLY FOR NOTED CONNECTOR.
- ⑨ ADD "LF" SUFFIX AT THE END OF PART NUMBER FOR LEAD FREE OPTION.
10. IF LF P/N THE PRODUCT MEETS EUROPEAN UNION DIRECTIVES AND OTHER
COUNTRY REGULATION AS DESCRIBED IN GS-22-008.
11. THE HOUSING WILL WITHSTAND EXPOSURE TO 260°C PEAK TEMPERATURE
FOR 20 SECONDS IN A CONVECTION, INFRA-RED OR VAPOR PHASE REFLOW
OVEN. SEE APPLICATION NOTES/PROCEDURES IF THEY ARE AVAILABLE.

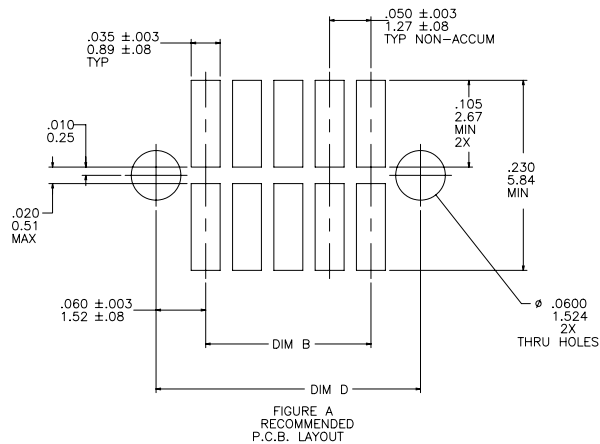
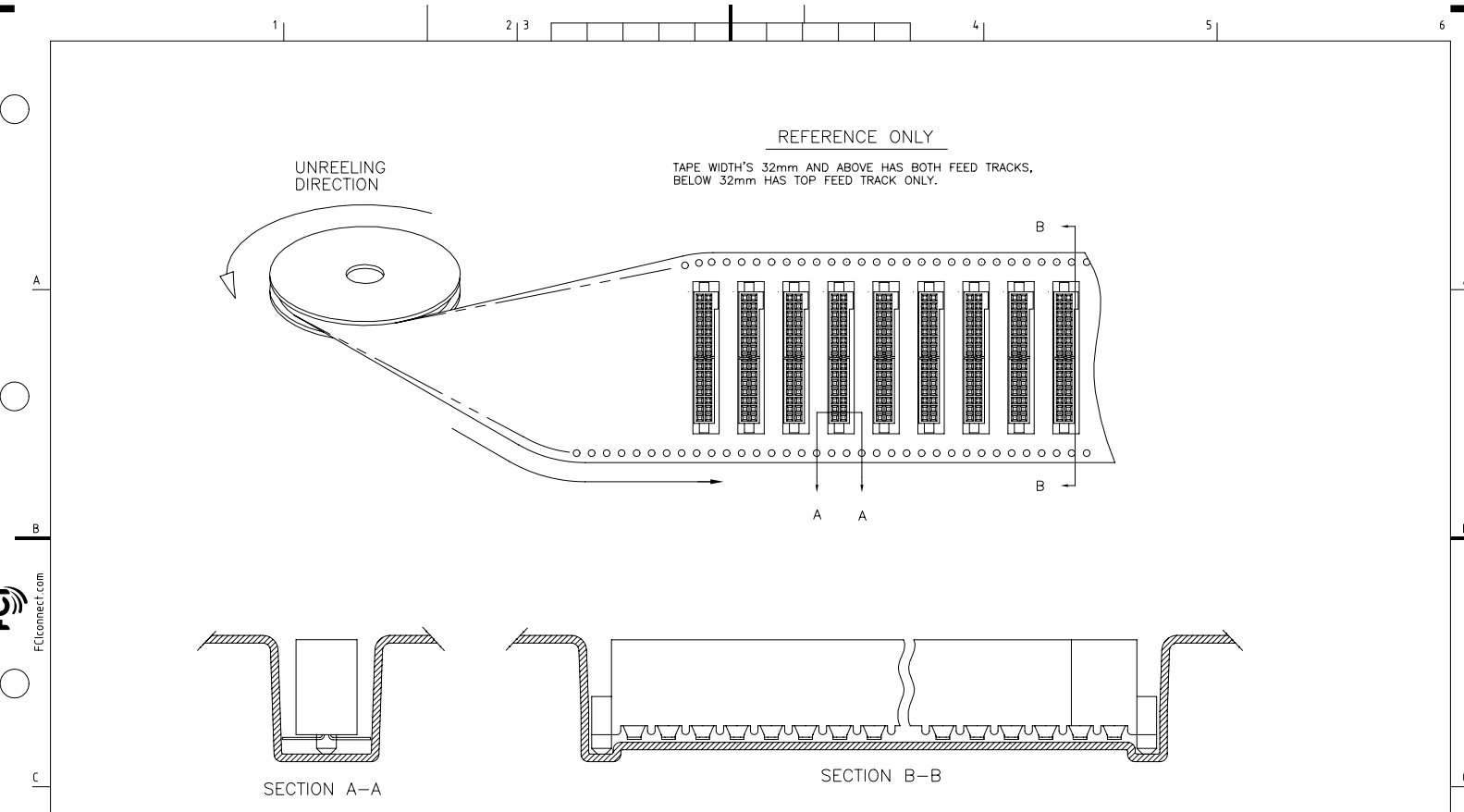


FIGURE A
RECOMMENDED
P.C.B. LAYOUT

| | | | | |
|-------------|---------------------|----------------------------------|--------------|--|
| mat'l. code | surface ISO 1302 | tolerance ISO 406 ISO 1101 | projection | product family |
| lfr | ecn no | dr | date | RIB CAGE |
| AF | | | | title |
| angles | linear | linear | linear | .050cc VERT. SMT. W/LOC. & POL. FEATURE |
| dr | engr | chr | appd | scale 1:1 |
| M. CLOUSER | B. BARUFFALO | B. BARUFFALO | B. BARUFFALO | scale 1:1 |
| 6/26/91 | 6/26/91 | 6/26/91 | 6/26/91 | scale 1:1 |
| sheet index | revision sheet | | | dwg no 87024 |
| | | | | sheet 2 of 3 |
| | | | | size A3 |
| | | | | type Product Customer Drawing |

PDM: Rev:AF STATUS:Released Printed: Jun 26, 2010 6



REFERENCE ONLY

TAPE WIDTH'S 32mm AND ABOVE HAS BOTH FEED TRACKS,
BELOW 32mm HAS TOP FEED TRACK ONLY.

SECTION A-A

SECTION B-B

| | | | | | | | | | |
|-------------|--|----------------|--|---------------------|--|------------|--|--|--|
| mat'l. code | | surface | | tolerance | | projection | | product family | |
| - | | ISO 1302 | | ISO 406 ISO 1101 | | | | RIB CAGE | |
| ttr | | ecn no | | dr | | date | | title | |
| AF | | | | | | | | .050cc VERT. SMT. W/LOC. & POL. FEATURE | |
| | | angles | | linear | | INCH/MM | | scale 1:1 | |
| | | | | XXXL01/XXXL03 | | | | dwg no | |
| | | dr | | M. CLOUSER | | 6/26/91 | | sheet 3 of 3 | |
| | | enr | | B. BARUFFALO | | 6/26/91 | | size A3 | |
| | | chr | | B. BARUFFALO | | 6/26/91 | | 87024 | |
| | | appd | | B. BARUFFALO | | 6/26/91 | | type Product Customer Drawing | |
| sheet index | | revision sheet | | | | | | | |

Copyright FCJ
FCJconnect.com