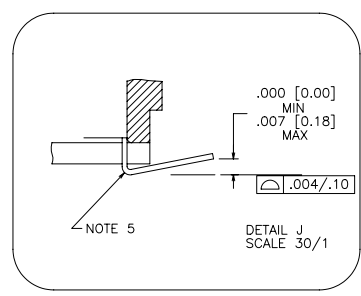
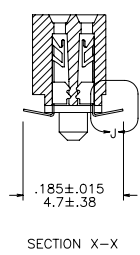
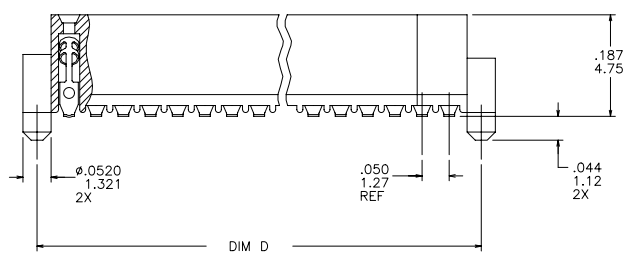
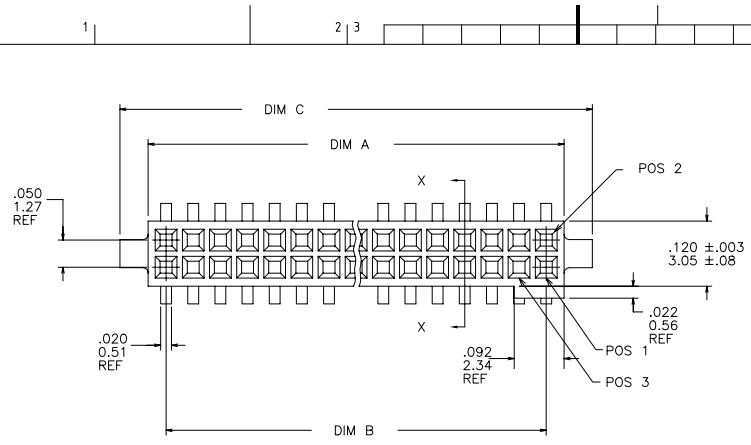


PRODUCT NUMBER  
SEE TABLE



mat'l. code		surface	tolerance	projection	product family
-		ISO 1302	ISO 406 ISO 1101	1st angle	RIB CAGE
tolerances unless otherwise specified		linear		INCH/MM	title
lfr	ecn no	dr	date	scale 1:1	.050cc VERT. SMT. W/LOC. & POL. FEATURE
AA	M05-0123	MHT	6/06/05		dwg no
AB	M06-0284	AEA	7/27/06		sheet 1 of 3
AC	M08-0053	CMR	2/27/08		size
AD	M09-0058	CMR	4/06/09	dr	A3
AE	M09-0071	MHT	4/30/09	engr	
AF	N10-0174	YOH	6/17/10	chr	
appd		B. BARUFFALO 6/26/91		FCJ	
sheet		AF	AF	type	
index	sheet	1	2	Product Customer Drawing	

PDM: Rev:AF STATUS:Released Printed: Jun 26, 2010

PRODUCT NO. NOTE 9	SIZE	DIM A	DIM B	DIM C	DIM D	SPECIAL PACKAGING	TAPE WIDTH PITCH	PIECES PER REEL
87024-605	2 X 5	.266/6.756	.200/5.08	.370/9.398	.3200/8.128	NOTE 6	24mm 12mm	750
-610	2 X 10	.516/13.106	.450/11.43	.620/15.748	.5700/14.478	NOTE 6	24mm 12mm	750
-610P	2 X 10	.516/13.106	.450/11.43	.620/15.748	.5700/14.478	NOTE 8	24mm 16mm	400
-615	2 X 15	.766/19.456	.700/17.78	.870/22.098	.8200/20.828	NOTE 6	44mm 12mm	500
-620	2 X 20	1.016/25.806	.950/24.13	1.120/28.448	1.0700/27.178	NOTE 6 & 7	44mm 12mm	500
-625	2 X 25	1.266/32.156	1.200/30.48	1.370/34.798	1.3200/33.528	NOTE 6	56mm 12mm	500
-630	2 X 30	1.516/38.506	1.450/36.83	1.620/41.148	1.5700/39.878	NOTE 6 & 7	56mm 12mm	500
-635	2 X 35	1.766/44.856	1.700/43.18	1.870/47.498	1.8200/46.228	NOTE 6	72mm 12mm	500
-640	2 X 40	2.016/51.206	1.950/49.53	2.120/53.848	2.0700/52.578	NOTE 6 & 7	72mm 12mm	500
-645	2 X 45	2.266/57.556	2.200/55.88	2.370/60.198	2.3200/58.928	NOTE 6	72mm 12mm	500
87024-650	2 X 50	2.516/63.906	2.450/62.23	2.620/66.548	2.5700/65.278	NOTE 6 & 7	88mm 12mm	500

NOTES:

- ① HOUSING MATERIAL:  
LCP GLASS FILLED FLAME RETARDANT PER UL 94V-0  
COLOR: NATURAL
- ② TERMINAL MATERIAL: BeCu
- ③ TERMINAL PLATING:  
30u"/.76um MIN HARD GOLD OVER Ni ON CONTACT ZONES,  
100u"/2.54um MIN TIN OVER Ni IN SOLDERING ZONES,  
OTHERWISE GOLD FLASH OR UNPLATED.
- 4 APPLICATION INFORMATION:  
A. RECOMMENDED MOUNTING PAD PATTERN IS  
SHOWN IN FIGURE "A".  
B. MATING PINS TO BE .0176/.447 TO .0181/.459 DIA.  
C. MATING PIN TIPS TO BE IN TRUE POSITION TO MATING  
GRID WITHIN .006/.15 DIA.  
D. SUGGESTED MATING PIN LENGTH .130/3.30  
±.010/.25.
- ⑤ LEAD TIPS TO BE ABOVE HEEL UP TO .007/0.18 MAX.  
COPLANARITY TO BE MEASURED AT LOWEST POINT (HEEL).
- ⑥ ADD "TR" TO END OF DASH NUMBER FOR TAPE AND  
REEL PACKAGING WITH CAP.  
TOOLED ONLY FOR NOTED CONNECTORS.
- ⑦ ADD "CT" TO END OF DASH NUMBER FOR CONNECTOR WITH CAP FOR  
VACUUM PICKUP IN TUBE.
- ⑧ CUSTOMER SPECIAL, TAPE AND REEL PACKAGING, TOOLED  
ONLY FOR NOTED CONNECTOR.
- ⑨ ADD "LF" SUFFIX AT THE END OF PART NUMBER FOR LEAD FREE OPTION.
10. IF LF P/N THE PRODUCT MEETS EUROPEAN UNION DIRECTIVES AND OTHER  
COUNTRY REGULATION AS DESCRIBED IN GS-22-008.
11. THE HOUSING WILL WITHSTAND EXPOSURE TO 260°C PEAK TEMPERATURE  
FOR 20 SECONDS IN A CONVECTION, INFRA-RED OR VAPOR PHASE REFLOW  
OVEN. SEE APPLICATION NOTES/PROCEDURES IF THEY ARE AVAILABLE.

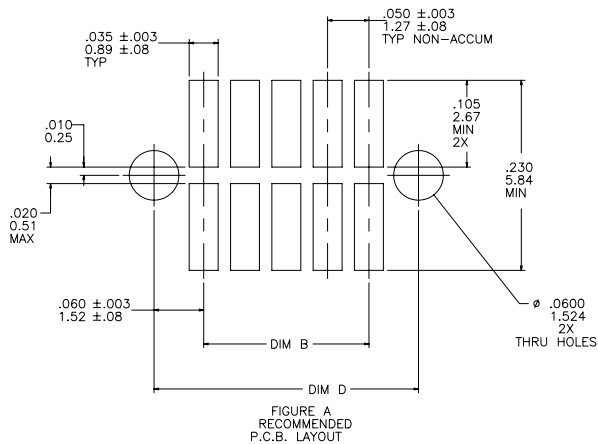
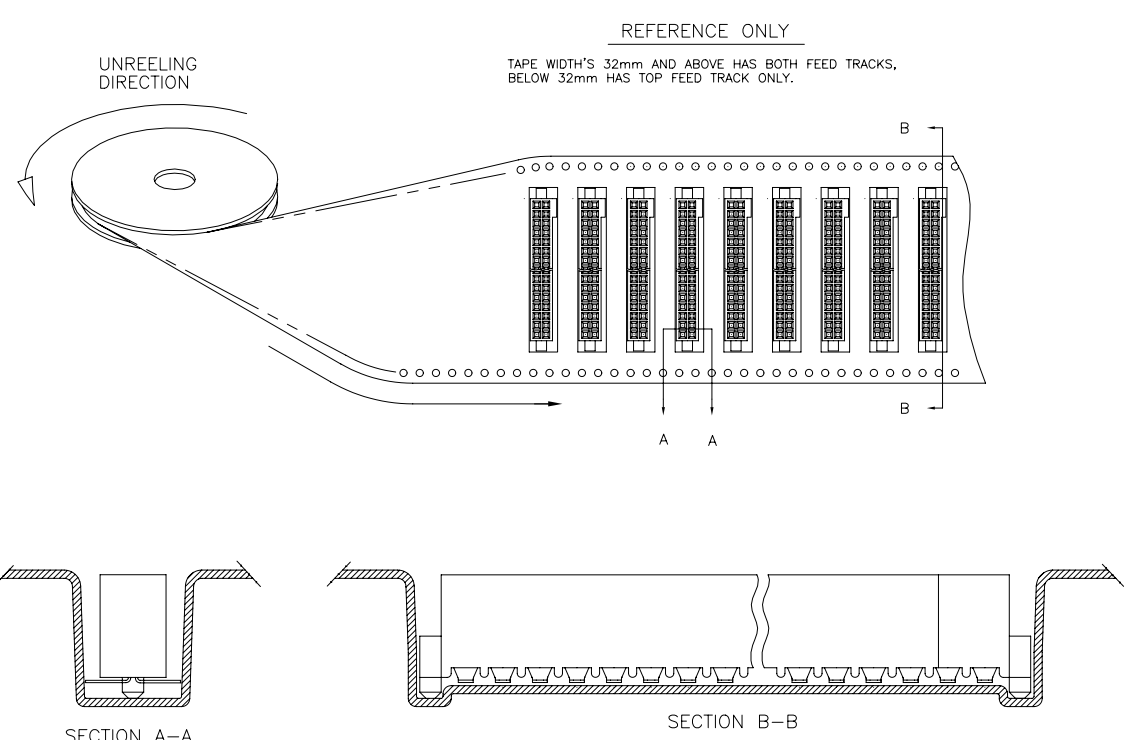


FIGURE A  
RECOMMENDED  
P.C.B. LAYOUT

mat'l. code	surface ISO 1302	tolerance ISO 406 ISO 1101	projection	product family
lfr	ecn no	dr	date	RIB CAGE
AF				title
angles	linear	linear	linear	.050cc VERT. SMT. W/LOC. & POL. FEATURE
dr	M. CLOUSER	6/26/91	scale 1:1	dwg no
enr	B. BARUFFALO	6/26/91	FCj	87024
chr	B. BARUFFALO	6/26/91	type	Product Customer Drawing
appd	B. BARUFFALO	6/26/91	sheet	2 of 3
sheet index	revision sheet		size	A3

PDM: Rev:AF STATUS: Released Printed: Jun 26, 2010 6

1 | 2 | 3 | 4 | 5 | 6



FCJ  
FCJconnect.com

Copyright FCJ

mat'l. code		surface		tolerance		projection		product family	
-		ISO 1302		ISO 406 ISO 1101				RIB CAGE	
ttr		ecn no		dr		date		title	
AF								.050cc VERT. SMT. W/LOC. & POL. FEATURE	
		angles		linear		INCH/MM		scale 1:1	
				XXXL01/XXXL03				dwg no	
		dr		M. CLOUSER		6/26/91		sheet 3 of 3	
		enr		B. BARUFFALO		6/26/91		size	
		chr		B. BARUFFALO		6/26/91		A3	
		appd		B. BARUFFALO		6/26/91		type	
								Product Customer Drawing	
sheet index		revision sheet							

**PDM: Rev:AF**      STATUS: **Released**      Printed: Jun 26, 2010      6