

Copyright FCI



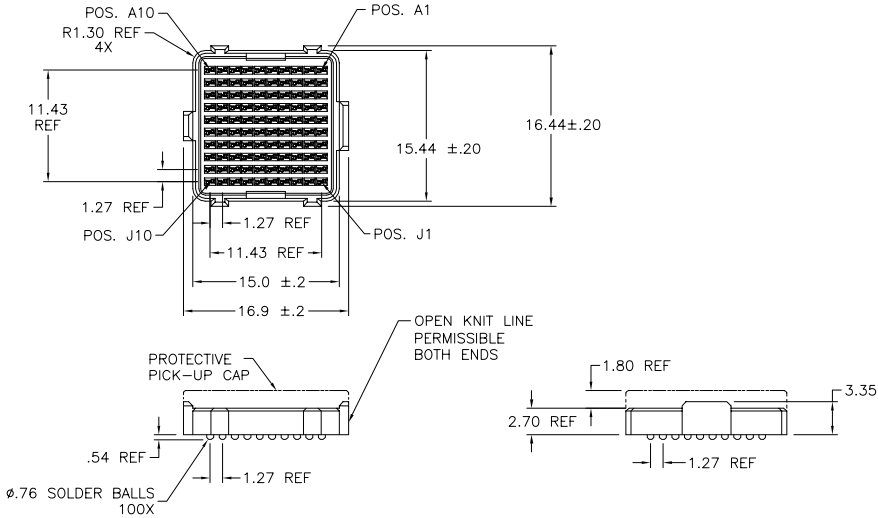
FCIconnect.com

1 | 2

3 |

4

| PRODUCT No. | PICK-UP CAP | CONTACT PLATING         | SOLDER BALL             |
|-------------|-------------|-------------------------|-------------------------|
| 84513-001   | YES         | 15u" (.38um) Au OVER Ni | SnPb                    |
| 84513-001LF |             |                         | SnAgCu LEAD FREE (4)(5) |
| 84513-101   | YES         | 30u" (.76um) Au OVER Ni | SnPb                    |
| 84513-101LF |             |                         | SnAgCu LEAD FREE (4)(5) |
| 84513-201   | YES         | SEE NOTE 3.             | SnPb                    |
| 84513-201LF |             |                         | SnAgCu LEAD FREE (4)(5) |



|             |          |            |            |                                       |                  |            |  |                    |  |
|-------------|----------|------------|------------|---------------------------------------|------------------|------------|--|--------------------|--|
| mat'l. code |          | surface    |            | tolerance                             |                  | projection |  | product family     |  |
| -           |          | ASME Y14.5 |            | ASME Y14.5                            |                  | MM         |  | MEG-Array          |  |
| ltr         | ecn no   | dr         | date       | tolerances unless otherwise specified |                  | MM         |  | title              |  |
| H           | v07-0663 | LP         | 2007/10/29 | angles                                | X +3             | MM         |  | 4mm RECEPT. ASSY.  |  |
| C           | v20949   | DAI        | 8-20-02    | σ ±2°                                 | .XX +10          | scale 1:1  |  | 10 X 10 = 100 POS. |  |
| D           | v03-0680 | DAI        | 06/19/03   | dr                                    | .XXX +050        | FCI        |  | dwg no             |  |
| E           | v04-0940 | VS         | 10/18/04   | lenqr                                 | B.SPINK          | 3-8-00     |  | sheet 1 of 3 size  |  |
| F           | v05-1071 | DAI        | 12/21/05   | chr                                   | B.SPINK          | 3-8-00     |  | 84513              |  |
| G           | v06-0560 | LP         | 7/14/06    | appd                                  | B.SPINK          | 3-8-00     |  | type               |  |
| sheet       | revision | H          | H          | H                                     | CUSTOMER Drawing |            |  |                    |  |
| index       | sheet    | 1          | 2          | 3                                     |                  |            |  |                    |  |

form: A4mmX1c

1 |

2 |

3 |

4

PDM: Rev:H

STATUS:Released

Printed: Dec 01, 2010

NOTES:

① MAT'L

HOUSING: LCP  
CONTACT: COPPER ALLOY

PLATING

CONTACT: (SEE TABLE ON SHEET1)  
SOLDER BALL: (SEE TABLE ON SHEET1)  
EUTECTIC SnPb OR LEAD FREE  
95.5Sn/4Ag/0.5Cu

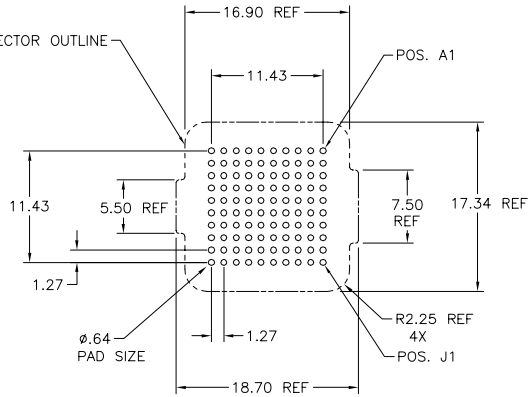
2. OVERALL BOARD-TO-BOARD STACK  
HEIGHT WHEN MATED TO P/N 84512  
100 POSITION 0mm RECPT. IS 4.0mm REF.

3. PLATING FOR -2XX SERIES DASH NOS. MEETS  
THE REQUIREMENTS OF NORTEL NPS25298-2  
(CENTRAL OFFICE ENVIRONMENT, 25 YEAR  
LIFE EXPECTANCY).

④ FOR PROPER APPLICATION FOLLOW FCI APPLICATION  
SPECIFICATION GS-20-033 LEAD FREE SOLDER BALLS WILL  
NOT SOLDER PROPERLY IN A LEADED SOLDER PROCESS  
DUE TO A HIGHER REFLOW TEMPERATURE. LEAD FREE  
PRODUCT IS THEREFORE NOT BACKWARDS COMPATIBLE WITH  
LEADED OR SOME SOLDERING APPLICATIONS. REFERENCE  
FCI APPLICATION SPECIFICATION

⑤ THIS PRODUCT MEETS EUROPEAN UNION DIRECTIVES AND  
OTHER COUNTRY REGULATIONS AS DESCRIBED IN GS-22-008  
PRODUCT MEETING THIS DIRECTIVE IS IDENTIFIED IN THE LOT  
CODE NUMBER MARKED ON EACH PART BY HAVING AN "X"  
IN THE SEVENTH CHARACTER POSITION

STENCIL MATED CONNECTOR OUTLINE  
ONTO BOARD.



BOARD PATTERN

|            |  |            |  |            |  |            |  |                    |  |
|------------|--|------------|--|------------|--|------------|--|--------------------|--|
| mat'l code |  | surface    |  | tolerance  |  | projection |  | product family     |  |
|            |  | ASME Y14.5 |  | ASME Y14.5 |  | MM         |  | MEG-Array          |  |
| tr         |  | ecn no     |  | date       |  | angles     |  | title              |  |
| H          |  |            |  |            |  | X ±3       |  | 4mm RECPT. ASSY.   |  |
|            |  |            |  |            |  | .XX ±10    |  | 10 X 10 = 100 POS. |  |
|            |  |            |  |            |  | 0° ±2°     |  | scale 1:1          |  |
|            |  |            |  |            |  | XXX ±050   |  | sheet 2 of 3       |  |
|            |  | dr         |  | D.WAUGHEN  |  | 3-8-00     |  | size               |  |
|            |  | engr       |  | B.SPINK    |  | 3-8-00     |  | A4                 |  |
|            |  | chr        |  | B.SPINK    |  | 3-8-00     |  | dwg no             |  |
|            |  | appd       |  | B.SPINK    |  | 3-8-00     |  | 84513              |  |
| sheet      |  | revision   |  |            |  |            |  | type               |  |
| index      |  | sheet      |  |            |  |            |  | CUSTOMER Drawing   |  |

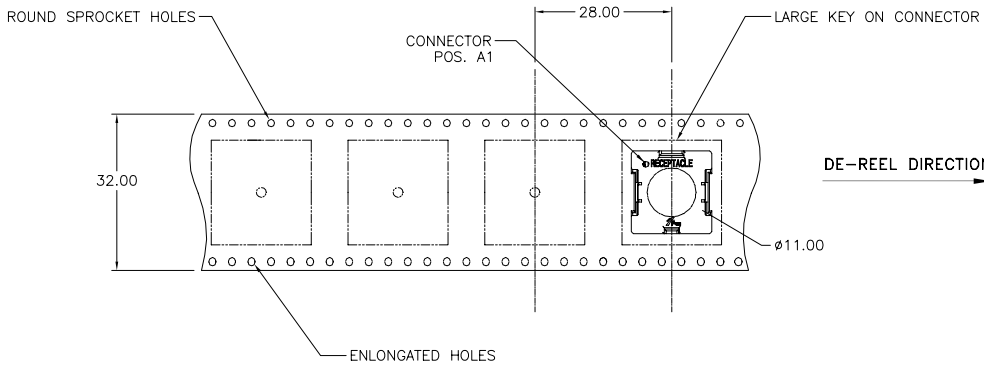
Copyright FCI



1 | 2

3

4



|             |                |                       |           |                                       |                                   |            |           |                |  |
|-------------|----------------|-----------------------|-----------|---------------------------------------|-----------------------------------|------------|-----------|----------------|--|
| mat'l. code |                | surface               |           | tolerance                             |                                   | projection |           | product family |  |
| -           |                | ASME Y14.5            |           | ASME Y14.5                            |                                   |            |           | MEG-Array      |  |
| ltr         | ec'n no        | dr                    | date      | tolerances unless otherwise specified |                                   |            |           |                |  |
| H           |                |                       |           | angles                                | X +3                              |            | MM        |                |  |
|             |                |                       |           | or ±2°                                | .XX +10                           |            | scale 1:1 |                |  |
|             |                |                       |           |                                       | .XXX +050                         |            |           |                |  |
|             |                | dr                    | D.WAUGHEN | 3-8-00                                | title                             |            |           |                |  |
|             |                | engr                  | B.SPINK   | 3-8-00                                | 4mm RECPT. ASSY.                  |            |           |                |  |
|             |                | chr                   | B.SPINK   | 3-8-00                                | 10 X 10 = 100 POS.                |            |           |                |  |
|             |                | appd                  | B.SPINK   | 3-8-00                                | dwg no 84513 sheet 3 of 3 size A4 |            |           |                |  |
| sheet index | revision sheet | type CUSTOMER Drawing |           |                                       |                                   |            |           |                |  |

form: A4mmX1c

1

2

3

4

PDM: Rev:H

STATUS:Released

Printed: Dec 01, 2010